

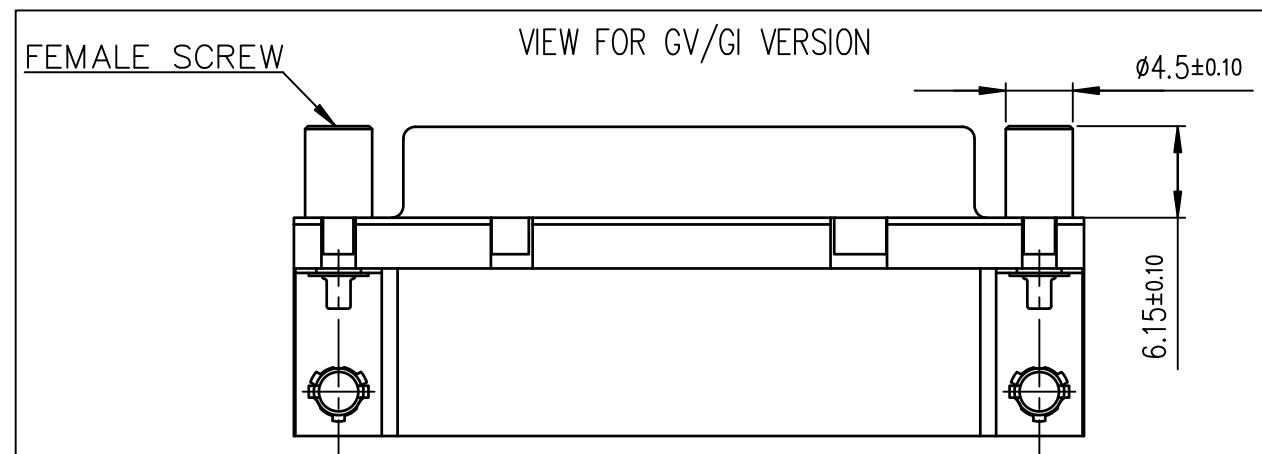
ORDERING INFORMATION

SERIES	LD 09 S 13A 4 GX 00 LF	LEAD FREE
NO: OF CONTACTS	09,15,25,37	STANDARD VERSION
CONTACTS	P - PIN S - SOCKET	MOUNTING ACCESSORY
TERMINATION TYPE	13A-RIGHT ANGLED(EUROPE VERSION) FOOTPRINT-10.4mm & PITCH-2.54mm	MATING CYCLES
		*FOR LD SERIES, REFER TECHNICAL SPECIFICATION
		GX-HARPOONS+INSERT UNC 4-40+ELEC.CONTINUITY GL-HARPOONS+INSERT M3+ELEC.CONTINUITY GV-HARPOONS+FEMALE SCREW UNC 4-40+ELEC.CONTINUITY GI-HARPOONS+FEMALE SCREW M3+ELEC.CONTINUITY

SHELL	A±0.38	B±0.12	C±0.10	D±0.25	E±0.07	F	G	
09	P	30.81	24.99	16.96	16.79	10.96	8.35±0.12	5.90±0.15
	S	30.81	24.99	16.96	16.21	10.96	7.89±0.13	6.17±0.12
15	P	39.14	33.32	25.18	25.12	19.18	8.35±0.12	5.90±0.15
	S	39.14	33.32	25.18	24.54	19.18	7.89±0.13	6.17±0.12
25	P	53.03	47.04	39.12	38.84	33.12	8.35±0.12	5.70±0.25
	S	53.03	47.04	39.12	38.25	33.12	7.89±0.13	6.17±0.12
37	P	69.32	63.50	55.68	55.30	49.68	8.35±0.12	5.70±0.25
	S	69.32	63.50	55.68	54.71	49.68	7.89±0.13	6.17±0.12

NOTES:

- 1) INSIDE DIMENSIONS FOR THE MALE CONNECTOR AND OUTSIDE DIMENSIONS FOR THE FEMALE CONNECTOR
- 2) DIMPLE IS PROVIDED ONLY FOR THE MALE CONNECTOR
- 3) THE GENERAL VIEW IS FOR THE OPTION GX/GL



mat'l. code	surface	tolerance	projection	product family
-	ISO 1302 ✓	ISO 406 ISO 1101	MM	D-SUB
ltr	ecn no	dr	date	title
A	-	AB	2014-08-01	DELTA-D R/A EUROPE LD SERIES
B	ELX-I-19184	AB	2014-10-24	
angles linear				
0°±2'				
dr				ALIASES BABU 2014-08-01
enr				ALIASES BABU 2014-10-24
chr				MITHUN PAUL 2014-10-24
app				BIJU K PAUL 2014-10-24
sheet	revision	B	B	dwg no
index	sheet	1	2	10130913
				sheet 1 of 2
				size
				A3
				type
				Product Customer Drawing

TECHNICAL SPECIFICATION

PHYSICAL CHARACTERISTICS

INSULATOR MATERIAL : BLACK THERMOPLASTIC UL94 V0
 CONTACTS MATERIAL : COPPER ALLOY
 CONTACTS PLATING : GOLD FLASH OVER NICKEL
 SHELL PLATING : NICKEL/TIN

ELECTRICAL CHARACTERISTICS

RATED VOLTAGE : 250V
 RATED CURRENT : 5 A
 CONTACT RESISTANCE : $\leq 25m\Omega$
 INSULATION RESISTANCE : $\geq 5000 M\Omega$

MECHANICAL CHARACTERISTICS

MATING CYCLES : 50 MINIMUM
 RETENTION AGAINST TORQUE : 0.5Nm

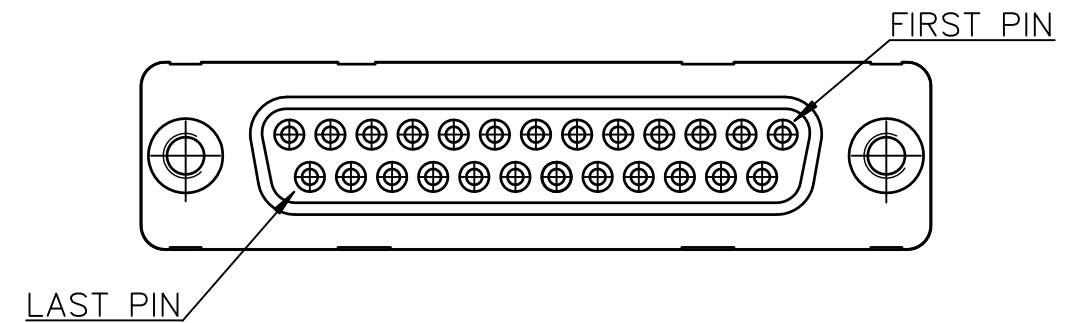
ENVIRONMENTAL CHARACTERISTICS

OPERATING TEMPERATURE : -55°C TO +105°C

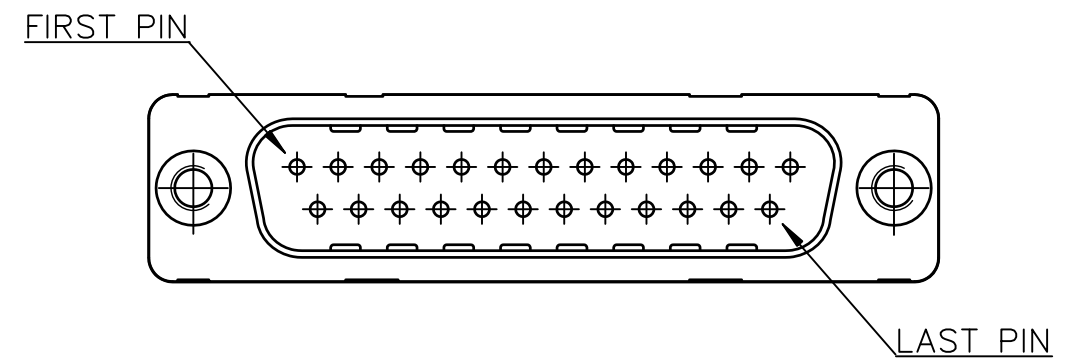
PACKING SPECIFICATION

REFER GS-14-2405

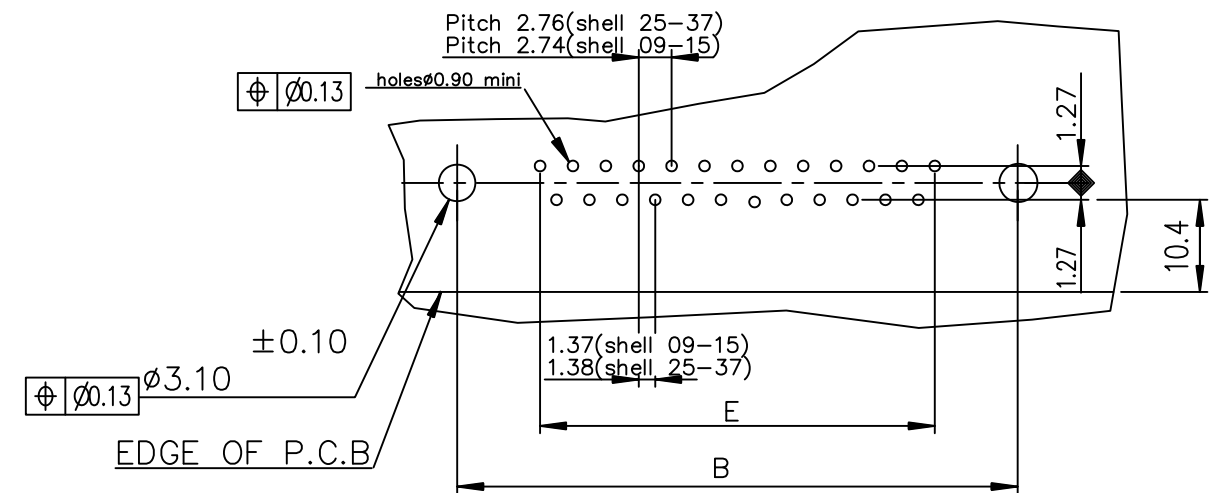
MATING VIEW FOR FEMALE CONNECTOR



MATING VIEW FOR MALE CONNECTOR



PC card drilling dimensions(after plating)
 (thickness 1.60±0.20mm)



mat'l. code		surface		tolerance		projection		product family	
-		ISO 1302		ISO 406 ISO 1101				D-SUB	
ltr	ecn no	dr	date	tolerances unless otherwise specified				title	
B				angles	linear	MM		DELTA-D R/A EUROPE LD SERIES	
				0°±2'		scale 2:1		dwg no	
				dr	engr	chr	app	sheet 2 of 2	
				dr	engr	chr	app	size	
				dr	engr	chr	app	A3	
				dr	engr	chr	app	type	
				dr	engr	chr	app	Product Customer Drawing	
sheet index	revision sheet								