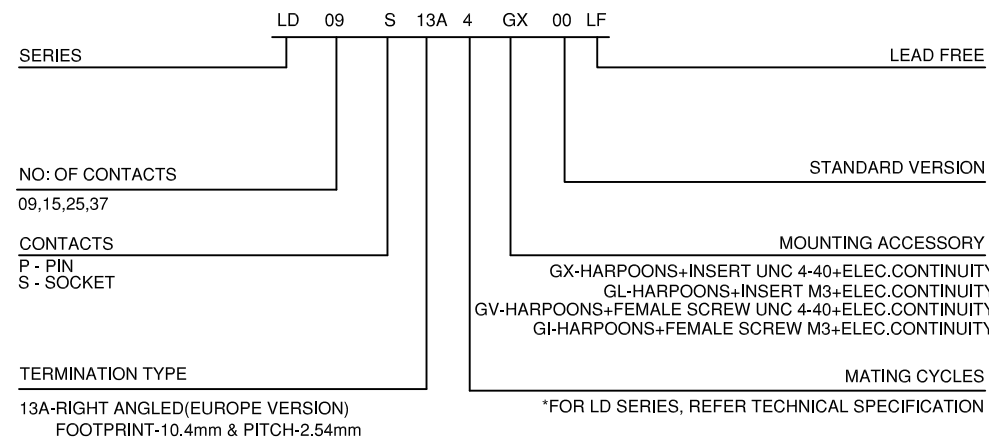


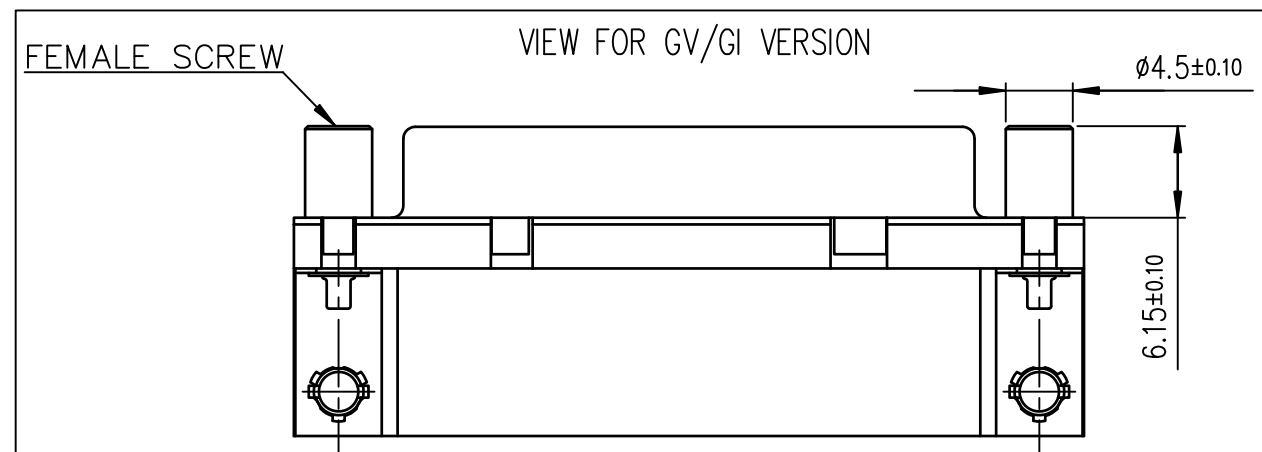
ORDERING INFORMATION



| SHELL | A±0.38 | B±0.12 | C±0.10 | D±0.25 | E±0.07 | F | G | |
|-------|--------|--------|--------|--------|--------|-------|-----------|-----------|
| 09 | P | 30.81 | 24.99 | 16.96 | 16.79 | 10.96 | 8.35±0.12 | 5.90±0.15 |
| | S | 30.81 | 24.99 | 16.96 | 16.21 | 10.96 | 7.89±0.13 | 6.17±0.12 |
| 15 | P | 39.14 | 33.32 | 25.18 | 25.12 | 19.18 | 8.35±0.12 | 5.90±0.15 |
| | S | 39.14 | 33.32 | 25.18 | 24.54 | 19.18 | 7.89±0.13 | 6.17±0.12 |
| 25 | P | 53.03 | 47.04 | 39.12 | 38.84 | 33.12 | 8.35±0.12 | 5.70±0.25 |
| | S | 53.03 | 47.04 | 39.12 | 38.25 | 33.12 | 7.89±0.13 | 6.17±0.12 |
| 37 | P | 69.32 | 63.50 | 55.68 | 55.30 | 49.68 | 8.35±0.12 | 5.70±0.25 |
| | S | 69.32 | 63.50 | 55.68 | 54.71 | 49.68 | 7.89±0.13 | 6.17±0.12 |

NOTES:

- 1) INSIDE DIMENSIONS FOR THE MALE CONNECTOR AND OUTSIDE DIMENSIONS FOR THE FEMALE CONNECTOR
- 2) DIMPLE IS PROVIDED ONLY FOR THE MALE CONNECTOR
- 3) THE GENERAL VIEW IS FOR THE OPTION GX/GL



| | | | | | | | | | |
|-------------|-------------|------------|------------|---------------------------------------|---------------------|------------|--|------------------------------|--|
| mat'l. code | | surface | | tolerance | | projection | | product family | |
| - | | ISO 1302 ✓ | | ISO 406 ISO 1101 | | | | D-SUB | |
| ltr | ecn no | dr | date | tolerances unless otherwise specified | | | | title | |
| A | - | AB | 2014-08-01 | angles | linear | MM | | DELTA-D R/A EUROPE LD SERIES | |
| B | ELX-I-19184 | AB | 2014-10-24 | 0°±2' | .00±0.1 .000±0.1 | scale 2:1 | | dwg no | |
| | | | | dr | ALIAB BABU | 2014-08-01 | | sheet 1 of 2 | |
| | | | | enr | ALIAB BABU | 2014-10-24 | | size | |
| | | | | chr | MITHUN PAUL | 2014-10-24 | | A3 | |
| | | | | app | BIJU K PAUL | 2014-10-24 | | type | |
| | | | | | | | | Product Customer Drawing | |
| sheet index | revision | B | B | | | | | | |
| | sheet | 1 | 2 | | | | | | |

TECHNICAL SPECIFICATION

PHYSICAL CHARACTERISTICS

INSULATOR MATERIAL : BLACK THERMOPLASTIC UL94 V0
 CONTACTS MATERIAL : COPPER ALLOY
 CONTACTS PLATING : GOLD FLASH OVER NICKEL
 SHELL PLATING : NICKEL/TIN

ELECTRICAL CHARACTERISTICS

RATED VOLTAGE : 250V
 RATED CURRENT : 5 A
 CONTACT RESISTANCE : $\leq 25m\Omega$
 INSULATION RESISTANCE : $\geq 5000 M\Omega$

MECHANICAL CHARACTERISTICS

MATING CYCLES : 50 MINIMUM
 RETENTION AGAINST TORQUE : 0.5Nm

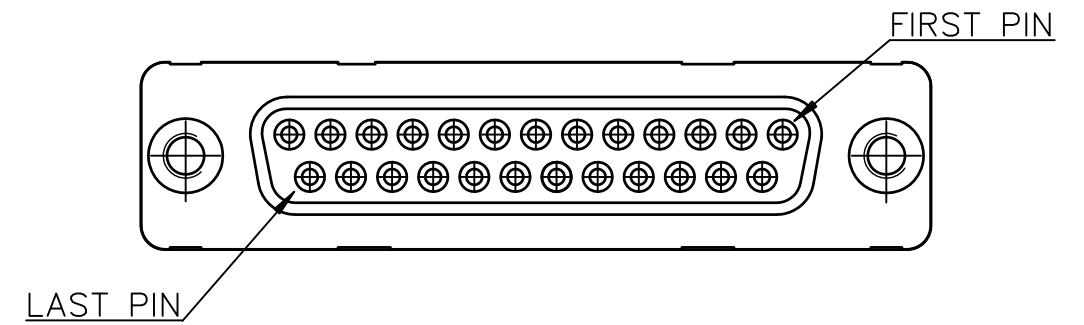
ENVIRONMENTAL CHARACTERISTICS

OPERATING TEMPERATURE : -55°C TO +105°C

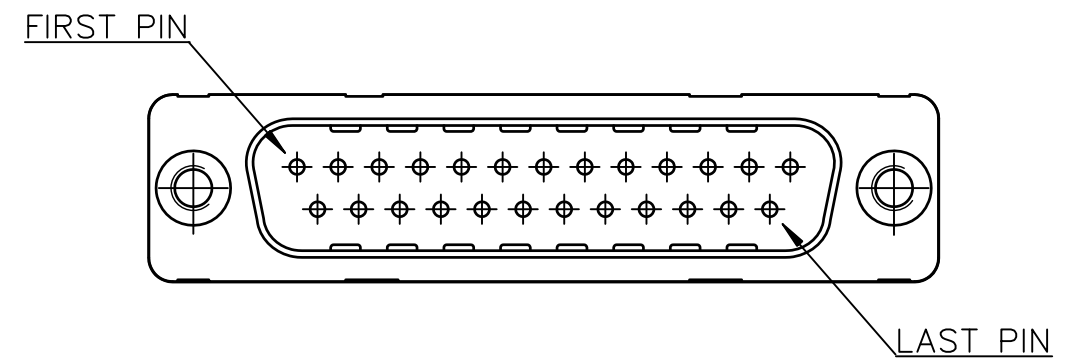
PACKING SPECIFICATION

REFER GS-14-2405

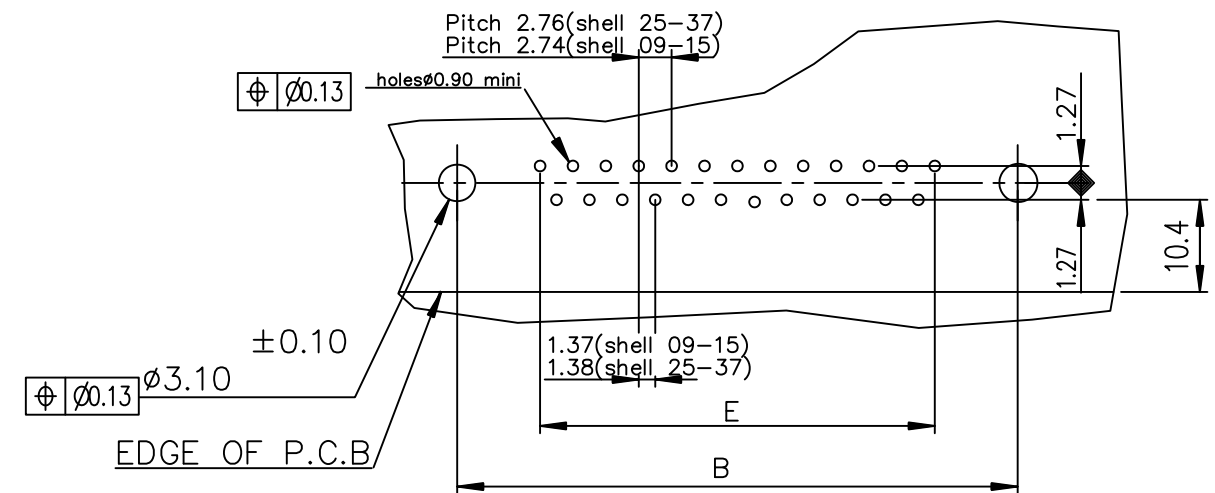
MATING VIEW FOR FEMALE CONNECTOR



MATING VIEW FOR MALE CONNECTOR



PC card drilling dimensions(after plating)
 (thickness 1.60±0.20mm)



| | | | | | | | | | |
|-------------|----------------|----------|------|---------------------------------------|--------|------------|-----|------------------------------|--|
| mat'l. code | | surface | | tolerance | | projection | | product family | |
| - | | ISO 1302 | | ISO 406 ISO 1101 | | | | D-SUB | |
| ltr | ecn no | dr | date | tolerances unless otherwise specified | | | | title | |
| B | | | | angles | linear | MM | | DELTA-D R/A EUROPE LD SERIES | |
| | | | | 0°±2' | | scale 2:1 | | dwg no | |
| | | | | dr | engr | chr | app | sheet 2 of 2 | |
| | | | | dr | engr | chr | app | size | |
| | | | | dr | engr | chr | app | A3 | |
| | | | | dr | engr | chr | app | type | |
| | | | | dr | engr | chr | app | Product Customer Drawing | |
| sheet index | revision sheet | | | | | | | | |