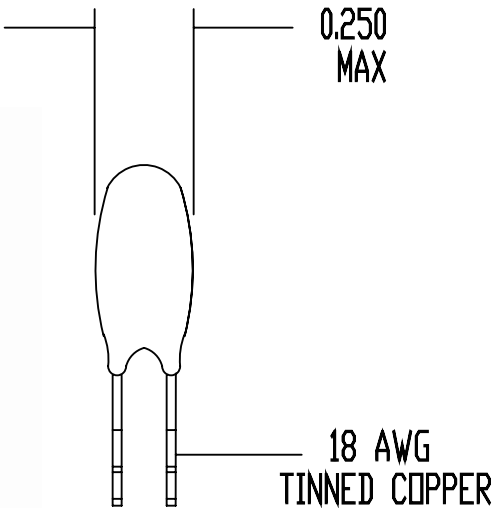
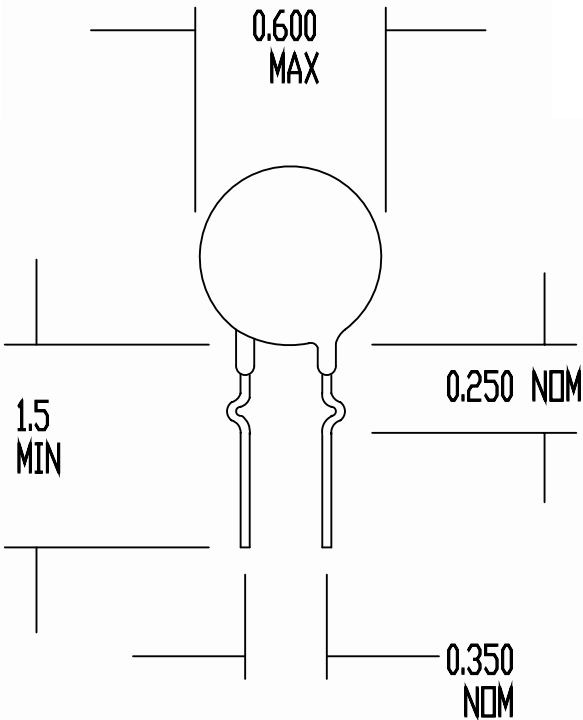



REV	DATE	ECO#
A	4/7/14	

DRAWING NOT TO SCALE
ALL DIMENSIONS IN INCHES



SPECIFICATIONS:

RESISTANCE AT 25 DEG C = 5 OHMS +/- 20%
 MAX CONTINUOUS CURRENT (I_{max}) = 8 AMPS
 RESISTANCE AT I_{max} = 0.05 OHMS NOMINAL
 MAX VOLTAGE RATING = 265 VAC (RMS)
 MAX SURGE RATING = 40 JOULES
 ENCAPSULATION = SILICONE RESIN
 MARKING = OPTIONAL
 LEADS = RTI P/N STL-309-35

DRAWN BY A.Aubuchon		 Circuit Protection Thermistors
DATE 04/07/14	ORIG. R.Fletcher	
REV A	APP E.Rauch	SURGE-GARD INRUSH CURRENT LIMITER
SHEET 1 OF 1		SG378