

# Split-core Current Transducer/Sensor

Model JC10F50-V

B+B SMARTWORX

Powered by

ADVANTECH

[www.advantech-bb.com](http://www.advantech-bb.com)



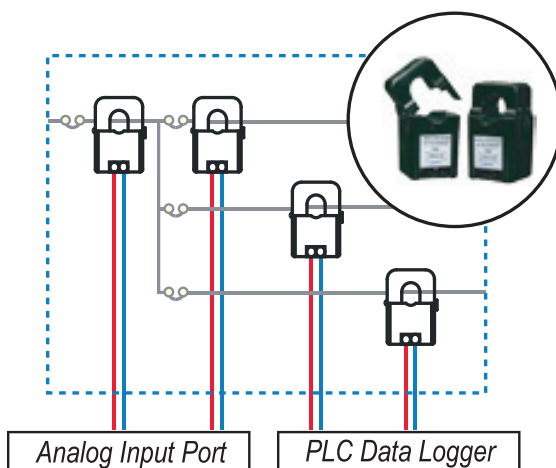
- + All-in one structure in a small size
- + Connect directly to PLCs
- + Sense motor stalls and short circuits
- + Industrial instrumentation
- + Process control loops
- + Phased fired-controlled heaters
- + UL, CSA, CE and RoHS available

## OVERVIEW

The split-core current transducer, Model JC10F50-V, is designed for energy management with a convenient connection to electronic sub-metering. It may also be applied for current measurement in a system of distributed power line carriers (PLCs) or remote controls such as SCADA software for automation and supervision. Other applications include security and condition monitoring, load monitoring, protection systems, and predictive maintenance of conveyors, pumps, HVAC motors and more.

## LOAD TREND MONITOR PER DISTRIBUTION PANEL

When a sensor outputting analog instrumentation signals in proportion to load current, is clamped directly onto the main or branch wiring of the distribution panel, direct input into analog port as PLC or data logger becomes available without a converter in the middle.



## ORDERING INFORMATION

MODEL NUMBER	DESCRIPTION
JC10F50-V	Split-Core Current Transducer/Sensor

## SPECIFICATIONS

TECHNOLOGY	
Current Range (50/60 Hz)	50 A RMS
Output Voltage	0~5V DC (average) / 0 ~ rated current, 7.5V DC limiter built-in
Maximum Allowable Current	100% (continuous) 150% (1 min.)
Accuracy/Linearity	± 2% FS. Dynamic range 1:100 (50/60 Hz sinewave)
Output Impedance	6.2K Ω
Output Ripple Voltage	Within 5% of output voltage
Response Time	300 ms
Insulation Resistance	DC500V / 100M Ω or more (between core and output terminals)
Dielectric Strength	AC 2000V / 1 min. (between core and output terminals)
MECHANICAL	
Sensing Aperture	10mm (clamp-on type)
Latch/Unlatch	About 150 times
Output Terminals	2 x M3-screw with terminal covers
Tightening Torque	0.3 Nm
Weight	45g (1.59 oz.)
ENVIRONMENTAL	
Operating Conditions	-20 ~ +50 °C, ≤85% RH, No condensation, In-house & any direction installable
Storage Conditions	-30 ~ +90 °C, ≤85% RH, No condensation

All product specifications are subject to change without notice.

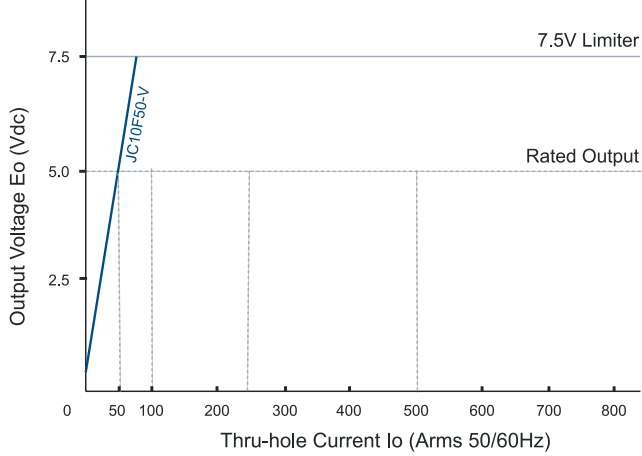
JC10F50-V\_0517ds

# Split-core Current Transducer/Sensor

## Model JC10F50-V

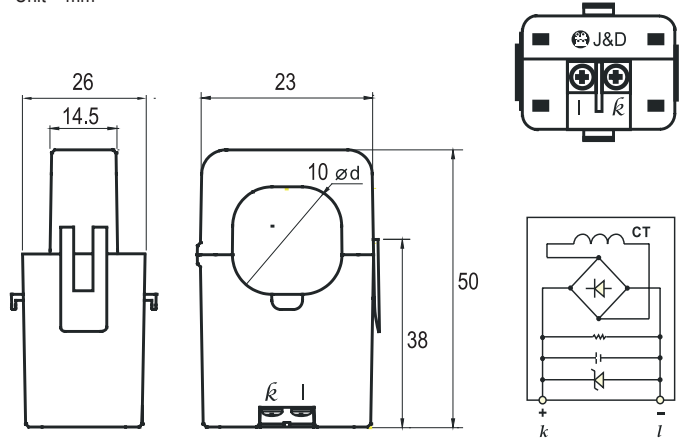


### OUTPUT VOLTAGE DATA



### MECHANICAL

Unit = mm



### CONNECTING THE LEAD WIRE

- - 
  - 
  - 
  - 
  - 
  - 
  -
- Cables & Cable Accessories