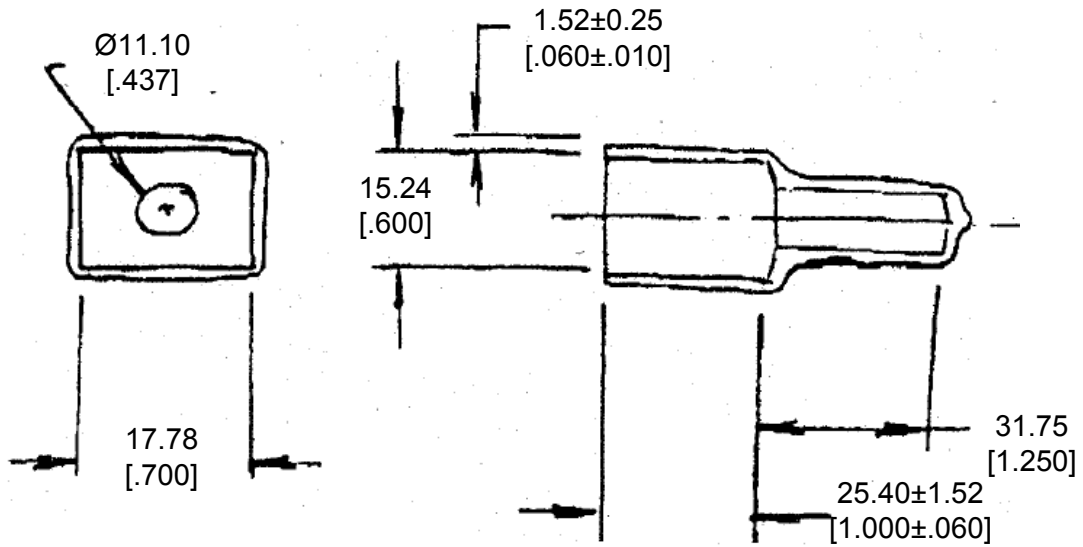


REVISIONS					
P	LTR	DESCRIPTION	DATE	DWN	APVD
A		NEW RELEASE PER ECO-14-008761	06-10-14	DM	DM



2014

RELEASED FOR PUBLICATION

THIS DRAWING IS UNPUBLISHED.

ALL RIGHTS RESERVED.

© COPYRIGHT 2014 BY TE CONNECTIVITY

1. THIS PART IS USED ON DT04-4P RECEPTACLES WITH ANY MODIFICATION THAT DOES NOT INCLUDE AN END CAP.
2. TEMPERATURE RATING: -29°C TO +100°C [-20°F TO +212°F]
3. PART NO. DT4P-BT-BK

DIMENSIONS: <b>MM [INCH]</b>	DWN	D. MEYER 10JUN2014	MATERIAL	PVC	FINISH	BLACK
	CHK	R. MESSENGER 10JUN2014				
TOLERANCES UNLESS OTHERWISE SPECIFIED:	APVD	D. MEYER 10JUN2014				
0 PLC ± 1 PLC ± 2 PLC ± 0.63 [025] 3 PLC ± 4 PLC ± ANGLES ± 5°	PRODUCT SPEC	NAME <b>BOOT, RECEPTACLE, 4PIN DT SERIES</b>				
	APPLICATION SPEC	SIZE	CAGE CODE	DRAWING NO	RESTRICTED TO	
	WEIGHT	6.60 g	A 4	4AFU8	C = DT4P-BT-BK	-
	Customer Drawing			SCALE	NONE	SHEET