

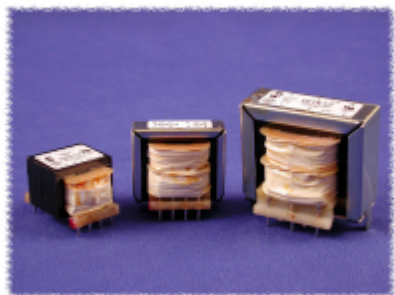


*Quality Products. Service Excellence.*

## Low Voltage PC Board Mount *160-161 Series*

Low Voltage, P.C. Board Mount Vertical - 115 & 115/230 V Primary

### Features



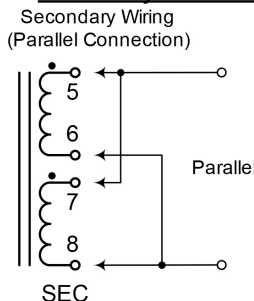
- 20 output voltages to choose from (5 - 120VAC R.M.S.)
- Six VA size models available from - .5 to 24 VA
- Vertical mount, split bobbin design.
- 1.2, 4.4, 10, 24 VA models are non-concentric wound.
- 0.5 and 1 VA are both concentric wound.
- Low primary to secondary coupling - no electrostatic shield required.
- Choice of economical single primary 115V - 60 Hz only (161 series) or the universal dual primary 115/230V - 50/60 Hz (160 series).
- High insulation - Hipot of 2,000V RMS.
- Class B insulation - 130 degrees C.
- CSA certified (File # LR3902) and UL recognized (File #E207860).



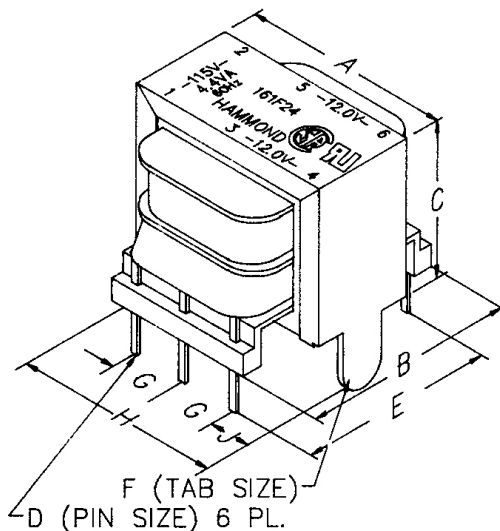
**Primary Connections - 160 Series Transformers**



**Secondary Connections - 160 Series Transformers**



**Primary Connections - 161 Series Transformers**



**Secondary Connections - 161 Series Transformers**

Secondary Wiring  
(Series Connection)



Secondary Wiring  
(Parallel Connection)



| Part No        | Part No      | Size | Secondary (RMS) |
|----------------|--------------|------|-----------------|
| Single Primary | Dual Primary | VA   | Series          |
| 115V           | 115/230V     |      | Parallel        |

| Part No<br>Single Primary<br>115V | Part No<br>Dual Primary<br>115/230V | Size<br>VA | Secondary (RMS)    |              |
|-----------------------------------|-------------------------------------|------------|--------------------|--------------|
|                                   |                                     |            | Series             | Parallel     |
| 161C10                            | -                                   | 0.5        | 10V C.T. @ 50ma    | 5V @ 100ma   |
| 161D10                            | 160D10                              | 1          | 10V C.T. @ 90ma    | 5V @ 180ma   |
| 161FA10                           | 160F10                              | 1.2        | 10V C.T. @ 120ma   | 5V @ 240ma   |
| 161GA10                           | 160G10                              | 4.4        | 10V C.T. @ 440ma   | 5V @ 880ma   |
| 161J10                            | 160J10                              | 10         | 10V C.T. @ 1A      | 5V @ 2A      |
| 161H10                            | 160H10                              | 24         | 10V C.T. @ 2.4A    | 5V @ 4.8A    |
| 161C12                            | -                                   | 0.5        | 12.6V C.T. @ 40ma  | 6.3V @ 80ma  |
| 161D12                            | 160D12                              | 1          | 12.6V C.T. @ 70ma  | 6.3V @ 140ma |
| 161FA12                           | 160F12                              | 1.2        | 12.6V C.T. @ 100ma | 6.3V @ 200ma |
| 161GA12                           | 160G12                              | 4.4        | 12.6V C.T. @ 350ma | 6.3V @ 700ma |
| 161K12                            | 160K12                              | 10         | 12.6V C.T. @ 800ma | 6.3V @ 1.6A  |
| 161H12                            | 160H12                              | 24         | 12.6V C.T. @ 2A    | 6.3V @ 4A    |
| 161C16                            | -                                   | 0.5        | 16V C.T. @ 31.3ma  | 8V @ 62.5ma  |
| 161D16                            | 160D16                              | 1          | 16V C.T. @ 55ma    | 8V @ 110ma   |
| 161EA16                           | 160E16                              | 1.2        | 16V C.T. @ 75ma    | 8V @ 150ma   |
| 161FA16                           | 160F16                              | 4.4        | 16V C.T. @ 260ma   | 8V @ 520ma   |
| 161G16                            | 160G16                              | 10         | 16V C.T. @ 640ma   | 8V @ 1.28A   |
| 161H16                            | 160H16                              | 24         | 16V C.T. @ 1.5A    | 8V @ 3A      |
| 161D20                            | 160D20                              | 1          | 20V C.T. @ 45ma    | 10V @ 90ma   |
| 161EA20                           | 160E20                              | 1.2        | 20V C.T. @ 60ma    | 10V @ 120ma  |
| 161FA20                           | 160F20                              | 4.4        | 20V C.T. @ 220ma   | 10V @ 440ma  |
| 161G20                            | 160G20                              | 10         | 20V C.T. @ 500ma   | 10V @ 1A     |
| 161H20                            | 160H20                              | 24         | 20V C.T. @ 1.2A    | 10V @ 2.4A   |
| 161D24                            | 160D24                              | 1          | 24V C.T. @ 35ma    | 12V @ 70ma   |
| 161E24                            | 160E24                              | 1.2        | 24V C.T. @ 50ma    | 12V @ 100ma  |
| 161F24                            | 160F24                              | 4.4        | 24V C.T. @ 180ma   | 12V @ 360ma  |
| 161G24                            | 160G24                              | 10         | 24V C.T. @ 450ma   | 12V @ 900ma  |
| 161H24                            | 160H24                              | 24         | 24V C.T. @ 1A      | 12V @ 2A     |
| 161D28                            | 160D28                              | 1          | 28V C.T. @ 30ma    | 14V @ 60ma   |
| 161E28                            | 160E28                              | 1.2        | 28V C.T. @ 40ma    | 14V @ 80ma   |
| 161F28                            | 160F28                              | 4.4        | 28V C.T. @ 160ma   | 14V @ 320ma  |
| 161G28                            | 160G28                              | 10         | 28V C.T. @ 360ma   | 14V @ 720ma  |
| 161H28                            | 160H28                              | 24         | 28V C.T. @ 800ma   | 14V @ 1.6A   |
| 161D34                            | 160D34                              | 1          | 34V C.T. @ 25ma    | 17V @ 50ma   |
| 161E34                            | 160E34                              | 1.2        | 34V C.T. @ 35ma    | 17V @ 70ma   |
| 161F34                            | 160F34                              | 4.4        | 34V C.T. @ 125ma   | 17V @ 250ma  |
| 161G34                            | 160G34                              | 10         | 34V C.T. @ 300ma   | 17V @ 600ma  |
| 161H34                            | 160H34                              | 24         | 34V C.T. @ 700ma   | 17V @ 1.4A   |
| 161D40                            | 160D40                              | 1          | 40V C.T. @ 20ma    | 20V @ 40ma   |
| 161E40                            | 160E40                              | 1.2        | 40V C.T. @ 30ma    | 20V @ 60ma   |
| 161F40                            | 160F40                              | 4.4        | 40V C.T. @ 110ma   | 20V @ 220ma  |
| 161G40                            | 160G40                              | 10         | 40V C.T. @ 250ma   | 20V @ 500ma  |
| 161H40                            | 160H40                              | 24         | 40V C.T. @ 600ma   | 20V @ 1.2A   |
| 161D56                            | 160D56                              | 1          | 56V C.T. @ 15ma    | 28V @ 30ma   |
| 161E56                            | 160E56                              | 1.2        | 56V C.T. @ 20ma    | 28V @ 40ma   |
| 161F56                            | 160F56                              | 4.4        | 56V C.T. @ 80ma    | 28V @ 160ma  |
| 161G56                            | 160G56                              | 10         | 56V C.T. @ 180ma   | 28V @ 360ma  |
| 161H56                            | 160H56                              | 24         | 56V C.T. @ 420ma   | 28V @ 840ma  |
| 161D120                           | 160D120                             | 1          | 120V C.T. @ 8ma    | 60V @ 16ma   |
| 161E120                           | 160E120                             | 1.2        | 120V C.T. @ 10ma   | 60V @ 20ma   |
| 161F120                           | 160F120                             | 4.4        | 120V C.T. @ 35ma   | 60V @ 70ma   |
| 161G120                           | 160G120                             | 10         | 120V C.T. @ 85ma   | 60V @ 170ma  |
| 161H120                           | 160H120                             | 24         | 120V C.T. @ 200ma  | 60V @ 400ma  |

**Mechanical & Schematic Data (160 Series):**

| Size<br>(VA) | Overall Dimensions |      |      |             |         |      |             |         |      |      |      |
|--------------|--------------------|------|------|-------------|---------|------|-------------|---------|------|------|------|
|              | A                  | B    | C    | D Thickness | D Width | E    | F Thickness | F Width | G    | H    | J    |
| 1            | 1.00               | 1.38 | 0.83 | 0.02        | 0.04    | 1.20 | -           | -       | 0.20 | N/A  | N/A  |
| 1.2          | 1.38               | 1.19 | 1.22 | 0.02        | 0.04    | 1.00 | -           | -       | 0.20 | N/A  | N/A  |
| 4.4          | 1.69               | 1.25 | 1.45 | 0.02        | 0.04    | 1.10 | 0.03        | 0.12    | 0.25 | 1.67 | 0.46 |
| 10           | 1.94               | 1.44 | 1.69 | 0.02        | 0.04    | 1.30 | 0.03        | 0.19    | 0.25 | 1.89 | 0.57 |
| 24           | 1.63               | 2.25 | 1.38 | 0.02        | 0.04    | 2.10 | -           | -       | 0.25 | N/A  | N/A  |

**Mechanical & Schematic Data (161 Series):**

| Size<br>(VA) | Overall Dimensions |      |      |             |         |      |             |         |      |      |      |
|--------------|--------------------|------|------|-------------|---------|------|-------------|---------|------|------|------|
|              | A                  | B    | C    | D Thickness | D Width | E    | F Thickness | F Width | G    | H    | J    |
| 0.5          | 1.00               | 0.94 | 0.84 | 0.025       | 0.03    | 0.78 | -           | -       | 0.20 | -    | -    |
| 1            | 1.00               | 1.38 | 0.83 | 0.02        | 0.04    | 1.20 | -           | -       | 0.20 | -    | -    |
| 1.2          | 1.38               | 1.19 | 1.22 | 0.02        | 0.04    | 1.00 | -           | -       | 0.31 | -    | -    |
| 4.4          | 1.69               | 1.25 | 1.45 | 0.02        | 0.04    | 1.10 | 0.03        | 0.12    | 0.40 | 1.67 | 0.44 |
| 10           | 1.94               | 1.44 | 1.69 | 0.02        | 0.04    | 1.30 | 0.03        | 0.19    | 0.40 | 1.89 | 0.55 |
| 24           | 1.63               | 2.25 | 1.38 | 0.02        | 0.04    | 2.10 | -           | -       | 0.40 | -    | -    |

*Data subject to change without notice*

© 2020. Hammond Manufacturing Ltd. All rights reserved.