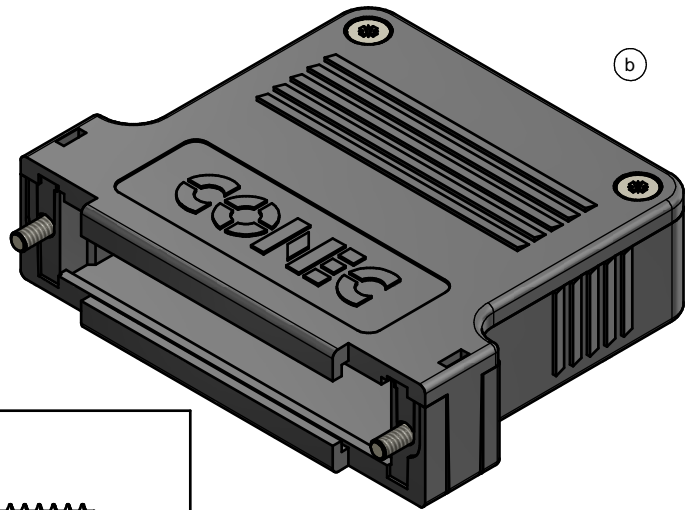
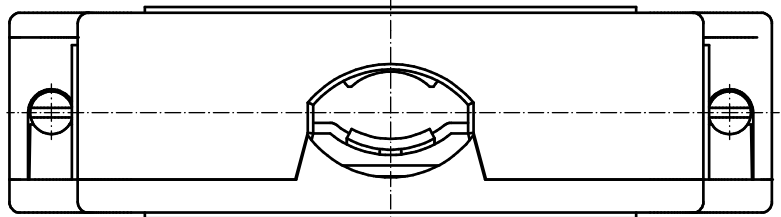




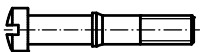
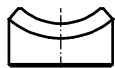
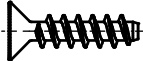
NOTES: (b)

1. HOOD + COVER: PBT UL 94 V-0; BLACK
2. CABLE STRAIN RELIEF: STEEL; NICKEL PLATED
3. PRESS INSERT: ABS UL 94 V-0; BLACK
4. SHORT SCREWS: STEEL; NICKEL PLATED
5. COVER SCREWS: STEEL; NICKEL PLATED
6. LENS HEAD SCREWS: STEEL; NICKEL PLATED

TECHNICAL DATA:

- TEMPERATURE RANGE: -40°C to + 125°C



 CABLE STRAIN RELIEF (1x)	 LENS HEAD SCREW (2x)
 SHORT SCREW (2x)	 PRESS INSERT (1x)
	 COVER SCREW (2x)

THIS DRAWING MAY NOT BE COPIED OR REPRODUCED IN ANY WAY, AND MAY NOT BE PASSED ON TO A THIRD PARTY WITHOUT WRITTEN PERMISSION. OWNERSHIP AND COPYRIGHT OF CONEC GmbH DO NOT ALTER CAD DRAWING BY HAND	tolerance		dim. in mm		scale:	2:1		
					material:	SEE NOTES		
					title:			
					<b>PLASTIC HOOD</b> 37pos. with straight cable exit			
					dwg no:		DIN-A3	
				drawn 14.04.2015 Heinrich appd. 14.04.2015 Lehmenkühler norm d-old 16K1A707		(b) 16K1A3621 sh: 1		
				5 x b A5607 14.04.15 M.H. a Original		part no: (b) 165X13399X		
				<b>CONEC</b>				

RoHS compliant