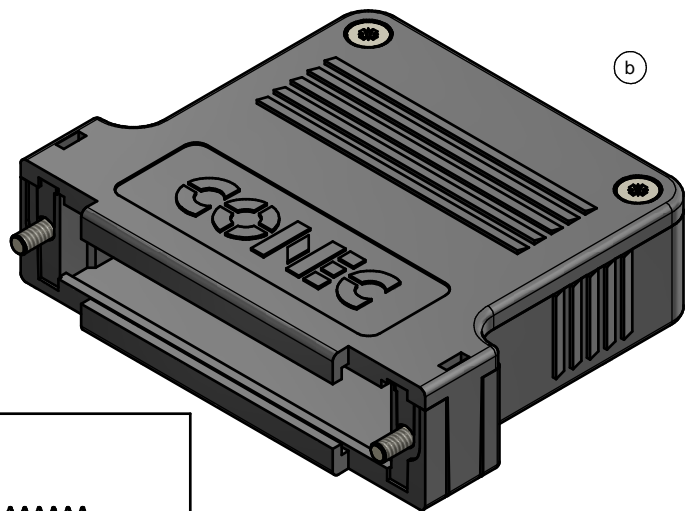






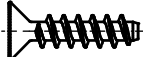
NOTES: (b)


1. HOOD + COVER: PBT UL 94 V-0; BLACK
2. CABLE STRAIN RELIEF: STEEL; NICKEL PLATED
3. PRESS INSERT: ABS UL 94 V-0; BLACK
4. SHORT SCREWS: STEEL; NICKEL PLATED
5. COVER SCREWS: STEEL; NICKEL PLATED
6. LENS HEAD SCREWS: STEEL; NICKEL PLATED

TECHNICAL DATA:

- TEMPERATURE RANGE: -40°C to + 125°C



 CABLE STRAIN RELIEF (1x)	 LENS HEAD SCREW (2x)
 SHORT SCREW (2x)	 PRESS INSERT (1x)
	 COVER SCREW (2x)

THIS DRAWING MAY NOT BE COPIED OR REPRODUCED IN ANY WAY, AND MAY NOT BE PASSED ON TO A THIRD PARTY WITHOUT WRITTEN PERMISSION. OWNERSHIP AND COPYRIGHT OF CONEC GmbH DO NOT ALTER CAD DRAWING BY HAND	tolerance			scale: 2:1	
			dim. in mm	material: SEE NOTES	
	drawn	14.04.2015	Heinrich	title: PLASTIC HOOD 37pos. with straight cable exit	
	appd.	14.04.2015	Lehmenkühler		
	norm				
d-old	16K1A707		dwg no:	DIN-A3	
5 x b	A5607	14.04.15	M.H.	(b) 16K1A3621	
a	Original			sh: 1	
rev.	description	date	name	part no: (b) 165X13399X	

RoHS compliant

