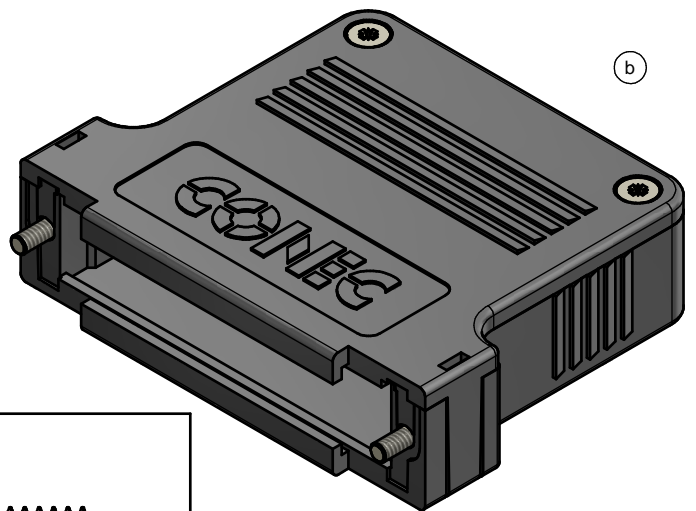






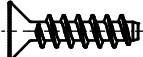
NOTES: (b)


1. HOOD + COVER: PBT UL 94 V-0; BLACK
2. CABLE STRAIN RELIEF: STEEL; NICKEL PLATED
3. PRESS INSERT: ABS UL 94 V-0; BLACK
4. SHORT SCREWS: STEEL; NICKEL PLATED
5. COVER SCREWS: STEEL; NICKEL PLATED
6. LENS HEAD SCREWS: STEEL; NICKEL PLATED

TECHNICAL DATA:

- TEMPERATURE RANGE: -40°C to + 125°C



	
CABLE STRAIN RELIEF (1x)	LENS HEAD SCREW (2x)
	
SHORT SCREW (2x)	PRESS INSERT (1x)
	
COVER SCREW (2x)	

<p>RoHS compliant</p> <p style="writing-mode: vertical-rl; transform: rotate(180deg); font-size: 8px;">THIS DRAWING MAY NOT BE COPIED OR REPRODUCED IN ANY WAY, AND MAY NOT BE PASSED ON TO A THIRD PARTY WITHOUT WRITTEN PERMISSION. OWNERSHIP AND COPYRIGHT OF CONEC GmbH DO NOT ALTER CAD DRAWING BY HAND</p>	tolerance			scale: 2:1	
			dim. in mm	material: SEE NOTES	
	drawn	14.04.2015	Heinrich	title: PLASTIC HOOD 37pos. with straight cable exit	
	appd.	14.04.2015	Lehmenkühler		
	norm				
d-old	16K1A707		dwg no:	DIN-A3	
5 x b	A5607	14.04.15	M.H.	(b) 16K1A3621	
a	Original			sh: 1	
rev.	description	date	name	part no: (b) 165X13399X	

