



OD9238 Series

DC Fan - 12V, 24V
92 x 38mm (3.62 x 1.5in)



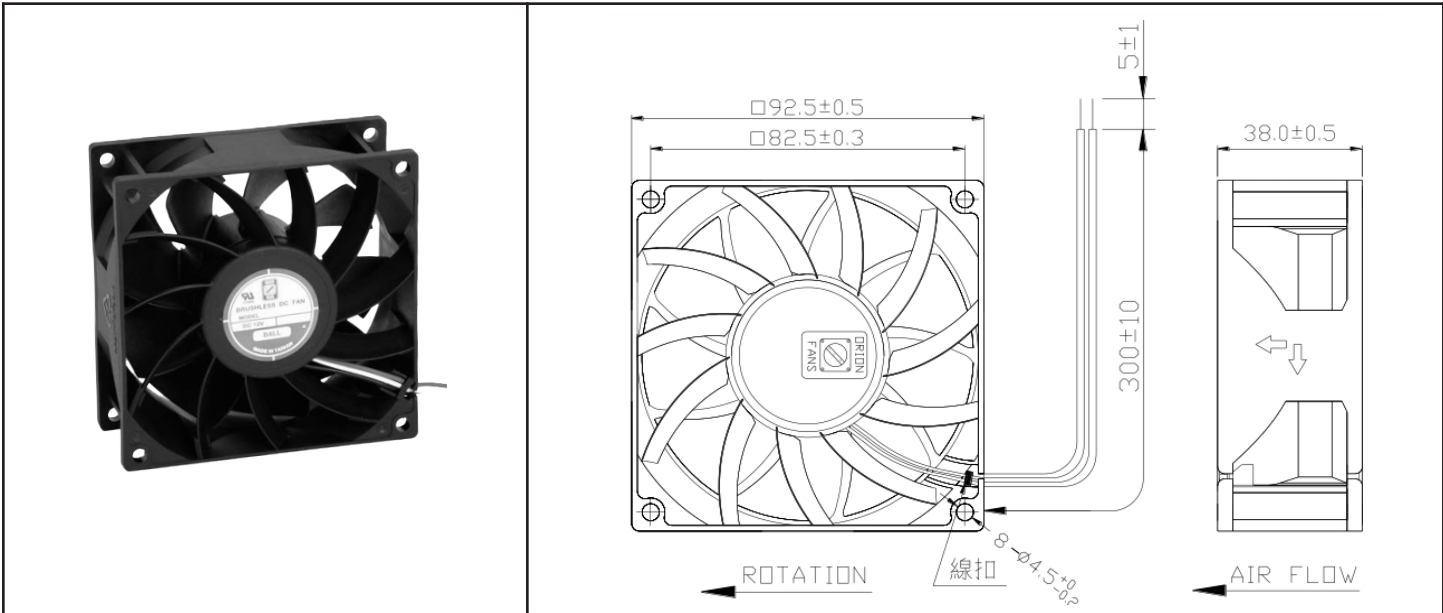
Model #	Pg #	Voltage	RPM	CFM	Noise Level	Max Static Pressure
OD9238-12MB	2	12 VDC	3600	90	47 dB	.34 H ₂ O
OD9238-24HB	3	24 VDC	4000	90	50 dB	.40 H ₂ O
OD9238-24HB02A	4	24 VDC	4000	90	50 dB	.40 H ₂ O

** For some models and part numbers, minimum order quantities may apply.

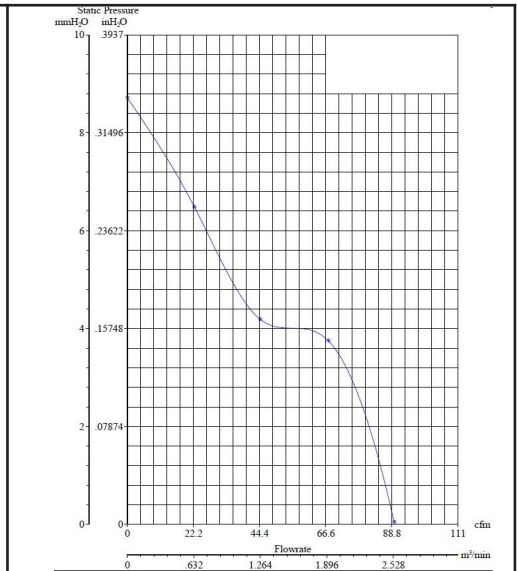
OD9238-12MB



DC Fan, 12VDC
92x38mm (3.62x1.5in)



Frame & Impeller	PBT, UL94V-0 plastic	Available Options IP55 Other speeds and voltages Alarm PWM Tach *Connection: Wire Leads - UL1007 24AWG Red(+), Black (-), Weight: 210 g
Connection	2x Lead wires *	
Motor	Brushless DC, auto restart, polarity protected.	
Bearing System	Dual ball bearing	
Insulation Resistance	Min. 10M at 500VDC	
Dielectric Strength	1 second at 500VAC max leakage 500 microamp	
Temperature Range	-10C ~ +70C	
Storage Temperature	-40C ~ +80C	
Life (L10)	70,000 hours (40C)	

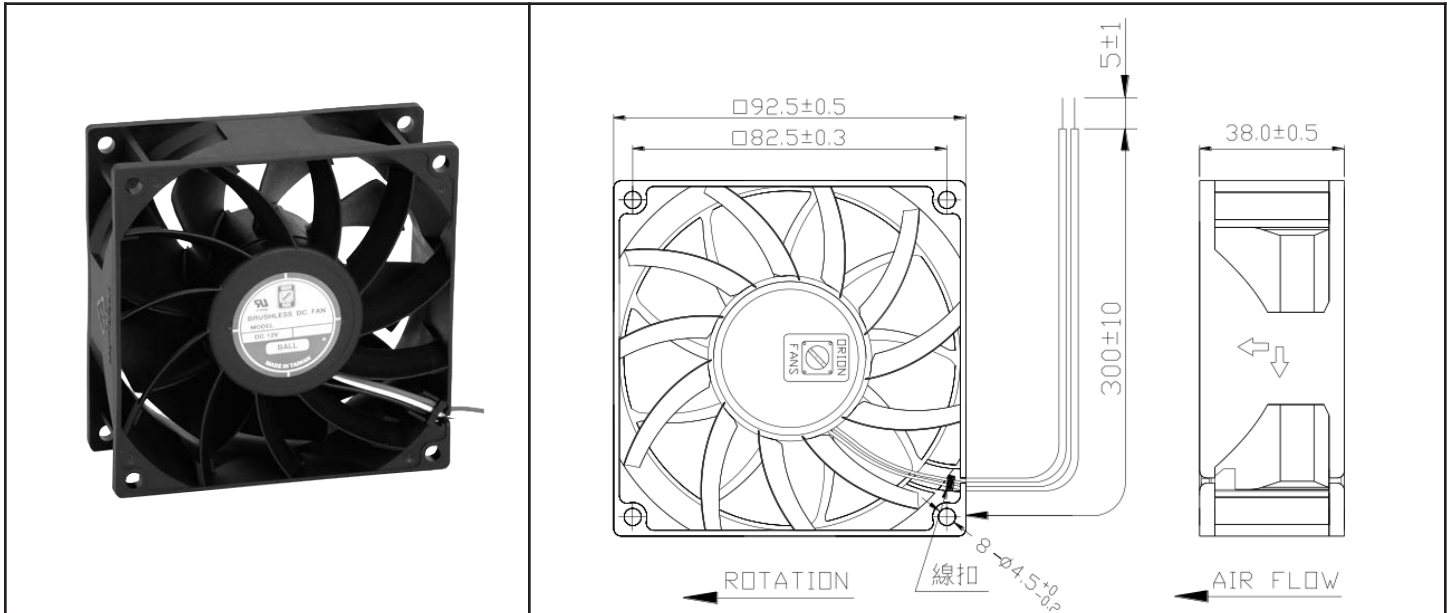


Model Number	OD9238-12MB
Part Number	196131001
Nominal Voltage	12 VDC
Voltage Range	7~13.2 VDC
Nominal Current	.45 A
Rated Power	12 Watts
Rated Speed (RPM)	3600
Airflow (CFM)	90
Noise Level (dB)	47
Max. Static Pressure	.34 "H ₂ O

OD9238-24HB



DC Fan, 24VDC
92x38mm (3.62x1.5in)



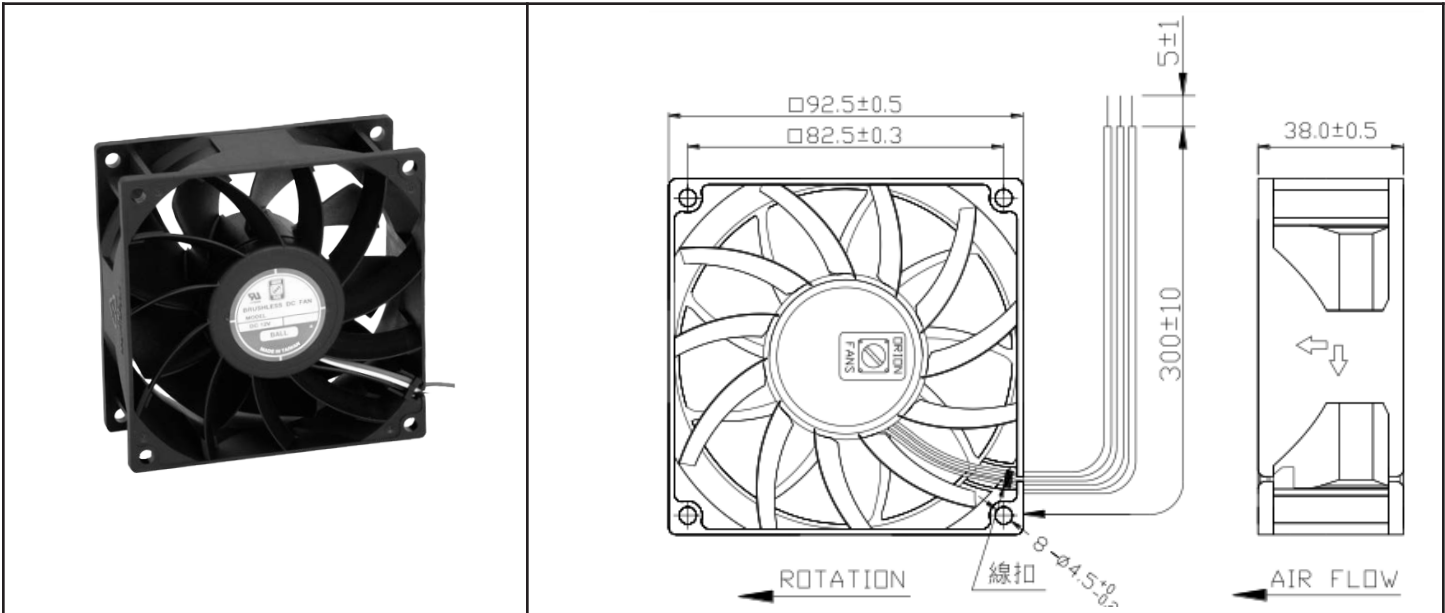
Frame & Impeller	PBT, UL94V-0 plastic	Available Options IP55 Other speeds and voltages Tachometer PWM Alarm *Connection: Wire Leads - UL1007 24AWG Red(+), Black (-), Weight: 210 g	FLOWRATE(CMM)
Connection	2x Lead wires *		
Motor	Brushless DC, auto restart, polarity protected.		
Bearing System	Dual ball bearing		
Insulation Resistance	Min. 10M at 500VDC		
Dielectric Strength	1 second at 500VAC max leakage 500 microamp		
Temperature Range	-10C ~ +70C		
Storage Temperature	-40C ~ +80C		
Life (L10)	70,000 hours (40C)		

Model Number	OD9238-24HB
Part Number	196241001
Nominal Voltage	24 VDC
Voltage Range	17~26.4 VDC
Nominal Current	.28 A
Rated Power	13.2 Watts
Rated Speed (RPM)	4000
Airflow (CFM)	90
Noise Level (dB)	50
Max. Static Pressure	.40 "H ₂ O

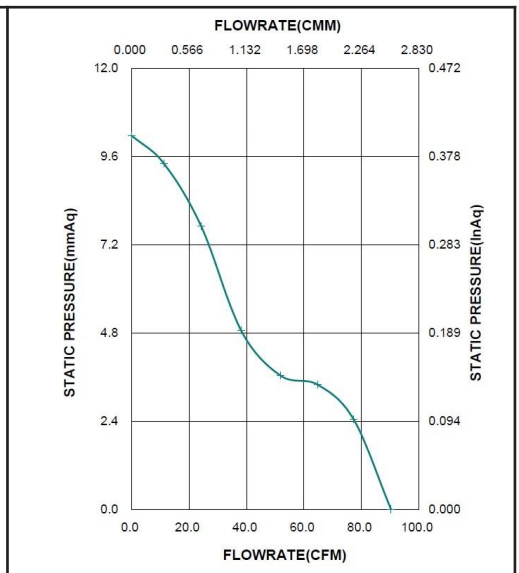
OD9238-24HB02A



DC Fan, 24VDC
92x38mm (3.62x1.5in)



Frame & Impeller	PBT, UL94V-0 plastic	Available Options IP55 Other speeds and voltages Tachometer PWM *Connection: Wire Leads - UL1007 24AWG Red(+), Black (-), Yellow Alarm Weight: 210 g
Connection	3x Lead wires *	
Motor	Brushless DC, auto restart, polarity protected.	
Bearing System	Dual ball bearing	
Insulation Resistance	Min. 10M at 500VDC	
Dielectric Strength	1 second at 500VAC max leakage 500 microamp	
Temperature Range	-10C ~ +70C	
Storage Temperature	-40C ~ +80C	
Life (L10)	70,000 hours (40C)	



Model Number	OD9238-24HB02A
Part Number	196241231
Nominal Voltage	24 VDC
Voltage Range	17~26.4 VDC
Nominal Current	.28 A
Rated Power	13.2 Watts
Rated Speed (RPM)	4000
Airflow (CFM)	90
Noise Level (dB)	50
Max. Static Pressure	.40 "H ₂ O

