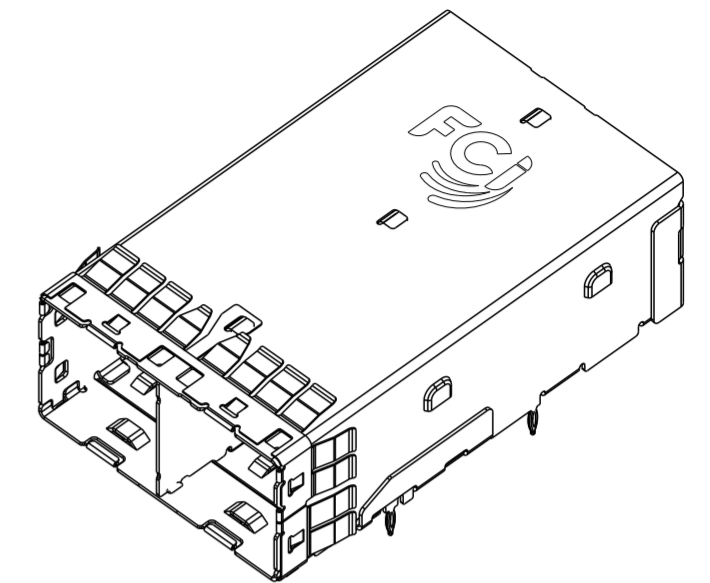
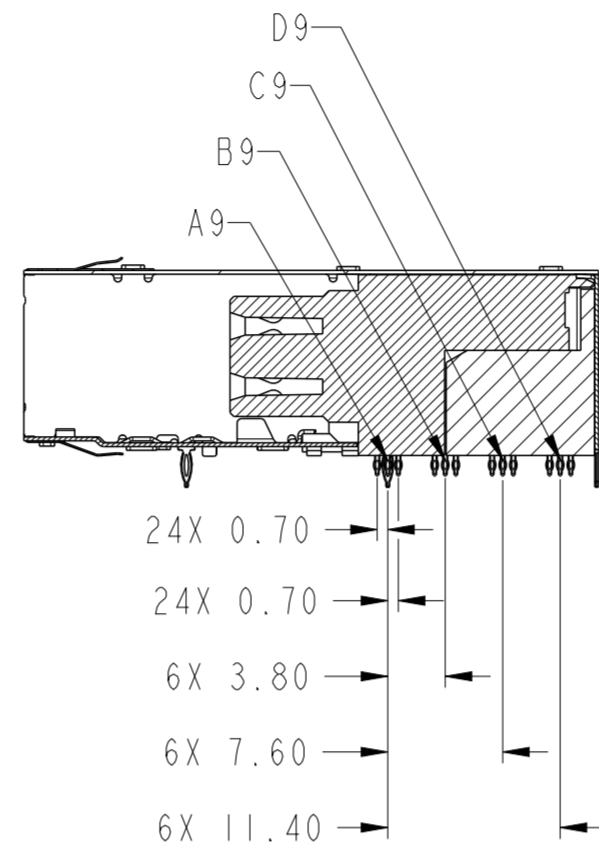
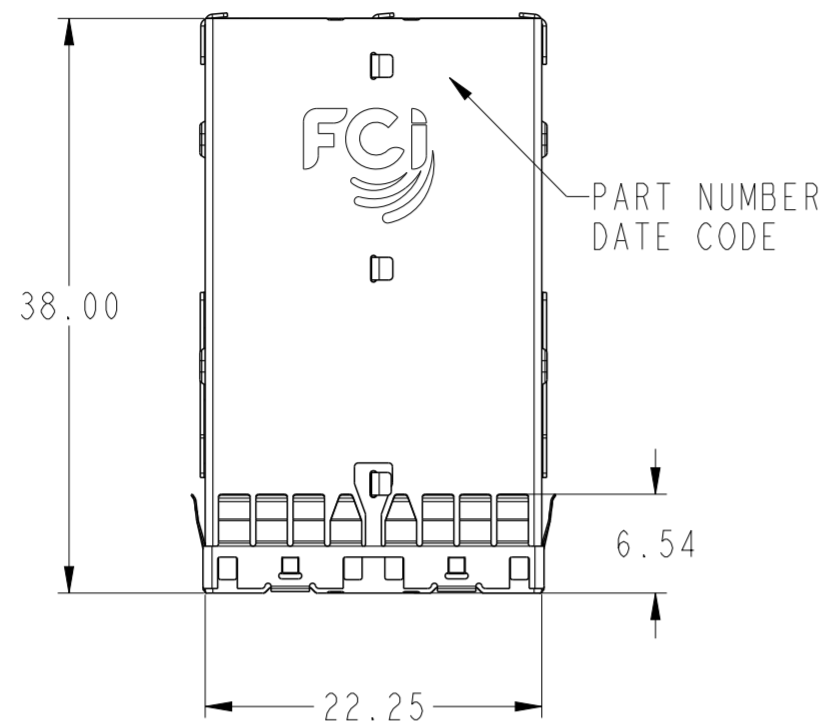
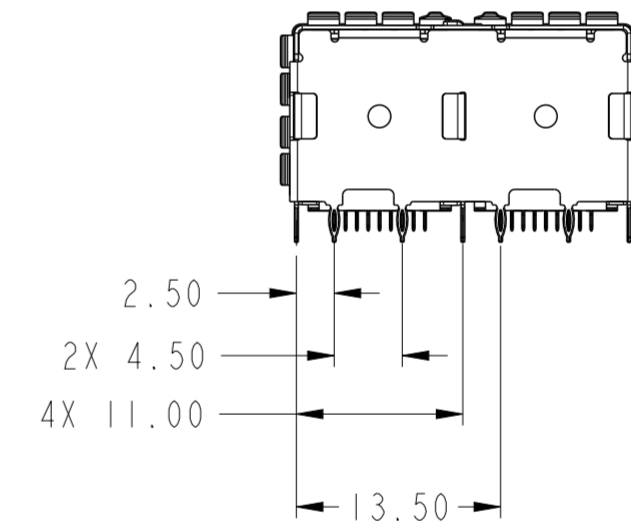
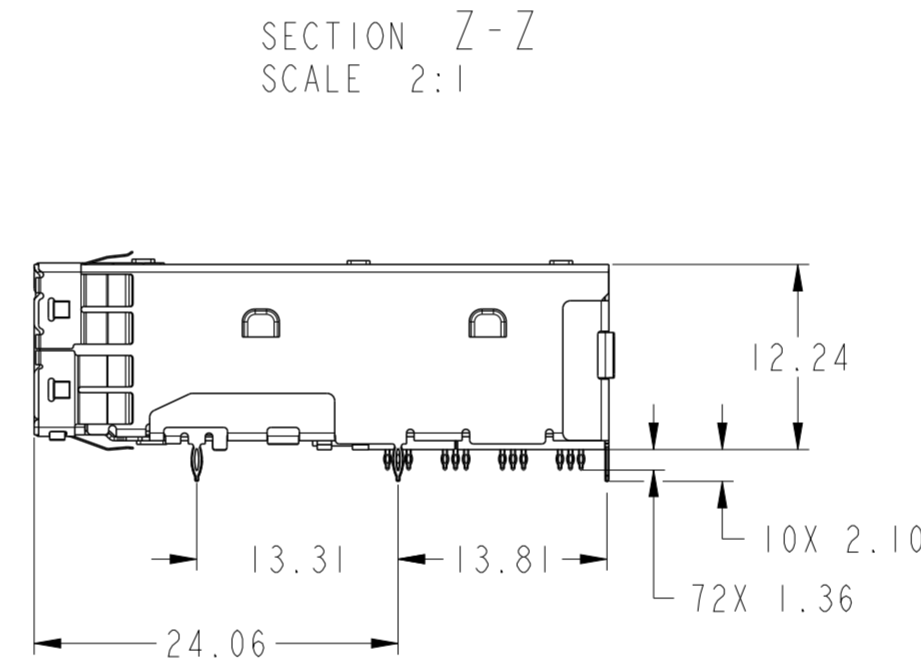
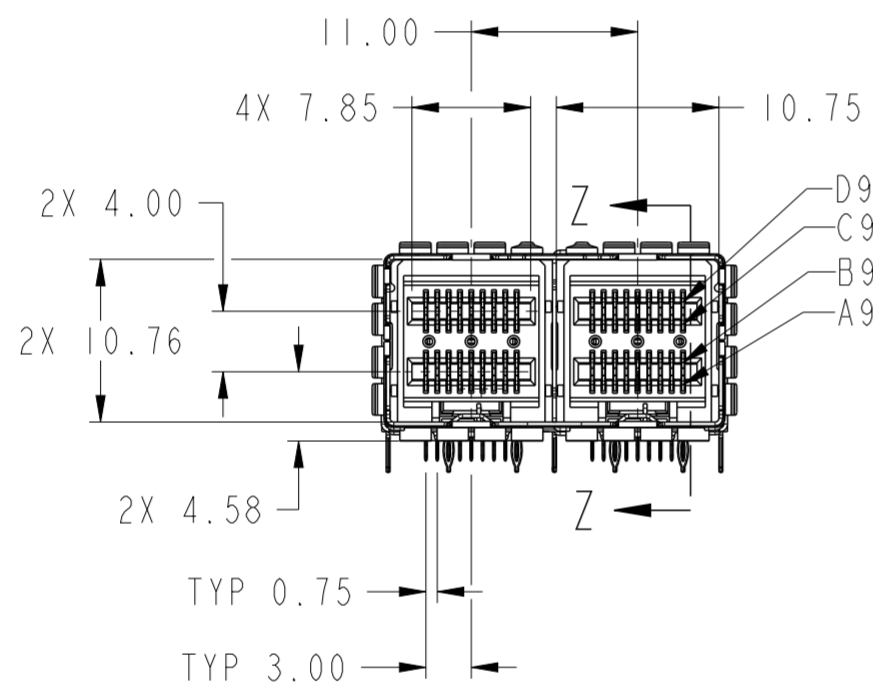


PRODUCT NUMBER	TAIL PLATING OPTION, SEE NOTE 2	DESCRIPTION
10112627-101	OPTION 1	WITHOUT STOPS
10112627-101LF	OPTION 2	WITHOUT STOPS
10112627-102	OPTION 1	WITH STOPS
10112627-102LF	OPTION 2	WITH STOPS



10112627-101 & 101LF
WITHOUT STOPS



NOTES:

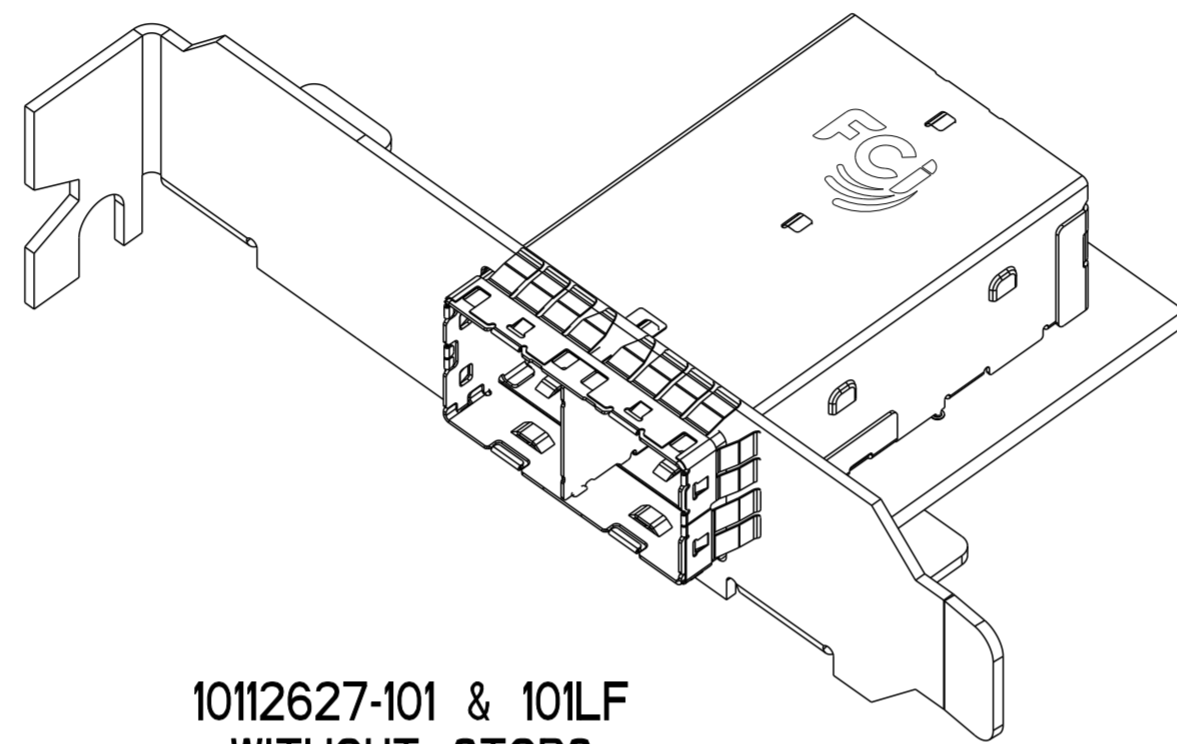
- MATERIALS:
CONNECTOR HOUSING: HIGH TEMPERATURE THERMOPLASTIC
GLASS FILLED, UL 94V-0
EMI CAGE: NICKEL SILVER ALLOY
EMI FINGERS: COPPER ALLOY
TERMINALS: COPPER ALLOY
- FINISHES:
EMI FINGERS: 0.50µm MIN NICKEL
CONTACT AREA: 0.76µm MIN GOLD OVER 2.54µm MIN NICKEL
TAIL AREA:
OPTION 1: 0.76µm - 1.52µm TIN/LEAD (90/10) OVER 2.54µm MIN NICKEL
OPTION 2: 0.76µm - 1.52µm TIN (LEAD FREE) OVER 2.54µm MIN NICKEL
- PRODUCT SPECIFICATION: GS-12-651.
APPLICATION SPECIFICATION: GS-20-0327
- MOUNTING HARDWARE: M2X0.4 BUTTON HEAD SCREW
MOUNTING SCREW LENGTH: BOARD THICKNESS + 1.4mm MAX (0.9mm MIN).
2 REQUIRED PER ASSEMBLY
- THIS CONNECTOR IS DESIGNED TO MEET THE REQUIREMENTS OF
INDUSTRY SPECIFICATION SFF-8644.
- THE USE OF A PCI BRACKET OR EQUIVALENT IS REQUIRED FOR THIS PRODUCT
- A SYMBOL WILL BE NEXT TO ANY DIMENSION, VIEW, OR NOTE THAT
HAS BEEN MODIFIED WITH THE CURRENT DRAWING REVISION.

MATES WITH MINI-SAS HD ENDS IN:	
10112041 SERIES (4X)	
10117771 SERIES (4X)	
10117946 SERIES (4X)	
10117949 SERIES (4X)	
10117947 SERIES (8X)	
10112359 SERIES (8X)	
10117950 SERIES (8X)	
10117948 SERIES (8X)	

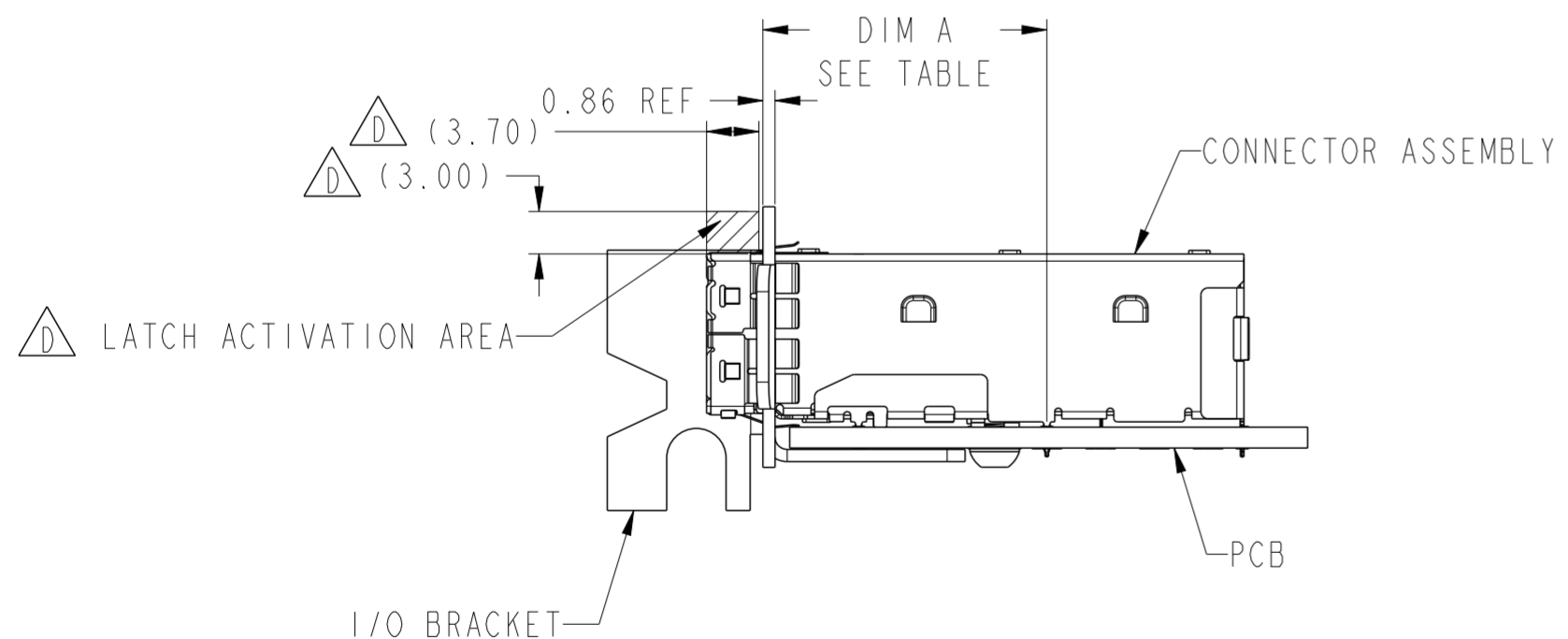
spec ref	-	dr	Mark Gray	2010/08/04	projection	MM	size	A2	scale	2:1
tolerance std	ASME Y14.5	eng	M Scholeno	2012/09/10	chr	-	ecn no	ELX-V-012260-1	rel level	Released
surface	✓	appr	Brad Brubaker	2012/09/12	product family	MINI-SAS HD	cat. no.	10112627	rev	D
ASME Y14.5	linear	0.X	±0.25	0.XX	±0.13	0.XXX	±	angular	0°	±1/2°
		www.fci.com		Product - Customer Drw		sheet 1 of 7				

APPLICATION	DIM A
PCI ADD-IN CARD	19.00±0.15
ALL OTHER APPLICATIONS	20.08±0.15

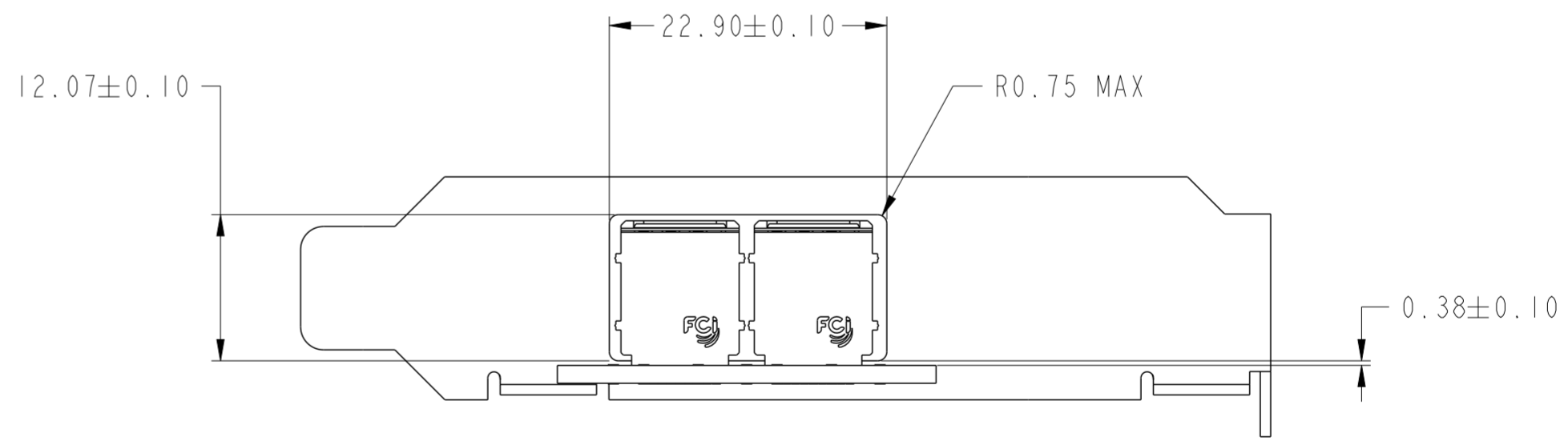
I/O BRACKET CUT OUT
(BRACKET NOT INCLUDED)
SEE NOT 6



10112627-101 & 101LF
WITHOUT STOPS
SCALE 2:1



ASSEMBLED VIEW
WITHOUT STOPS
SCALE 2:1

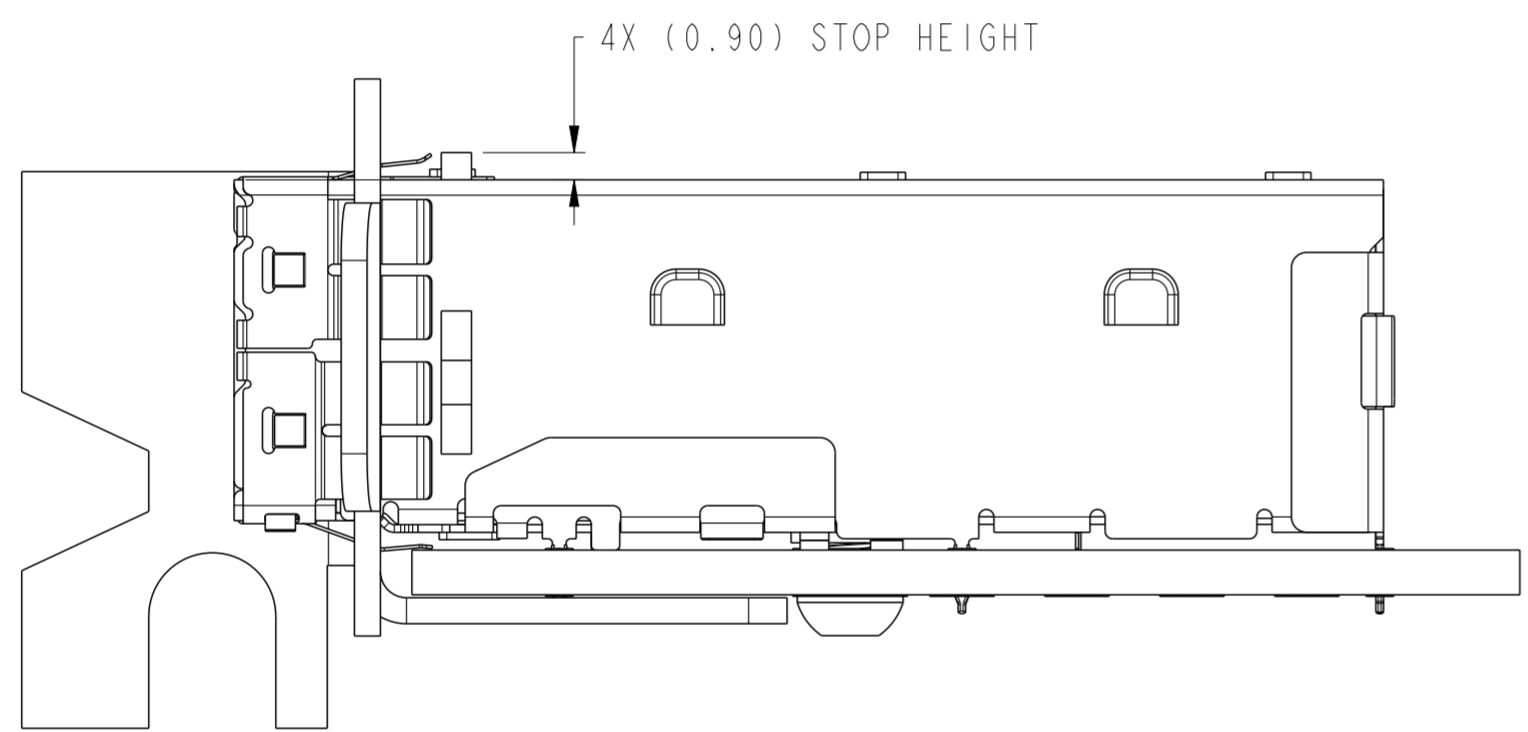


spec ref	-	dr	Mark Gray	2010/08/04	projection	MM	size	A2	scale	1:1	
tolerance std	ASME Y14.5	eng	M Scholeno	2012/09/10			ecn no	ELX-V-012260-1	rel level	Released	
TOLERANCES UNLESS OTHERWISE SPECIFIED		chr	-	product family							MINI-SAS HD
surface	✓	appr	Brad Brubaker	2012/09/12	title	IX2 EXTERNAL ASSEMBLY		dwg no	10112627	rev	D
ASME Y14.5	linear	0.X	±0.25	0.XX	±0.13	0.XXX	±	angular	0°	±1/2°	www.fci.com
		cat. no.		Product - Customer Drw		sheet 2 of 7					

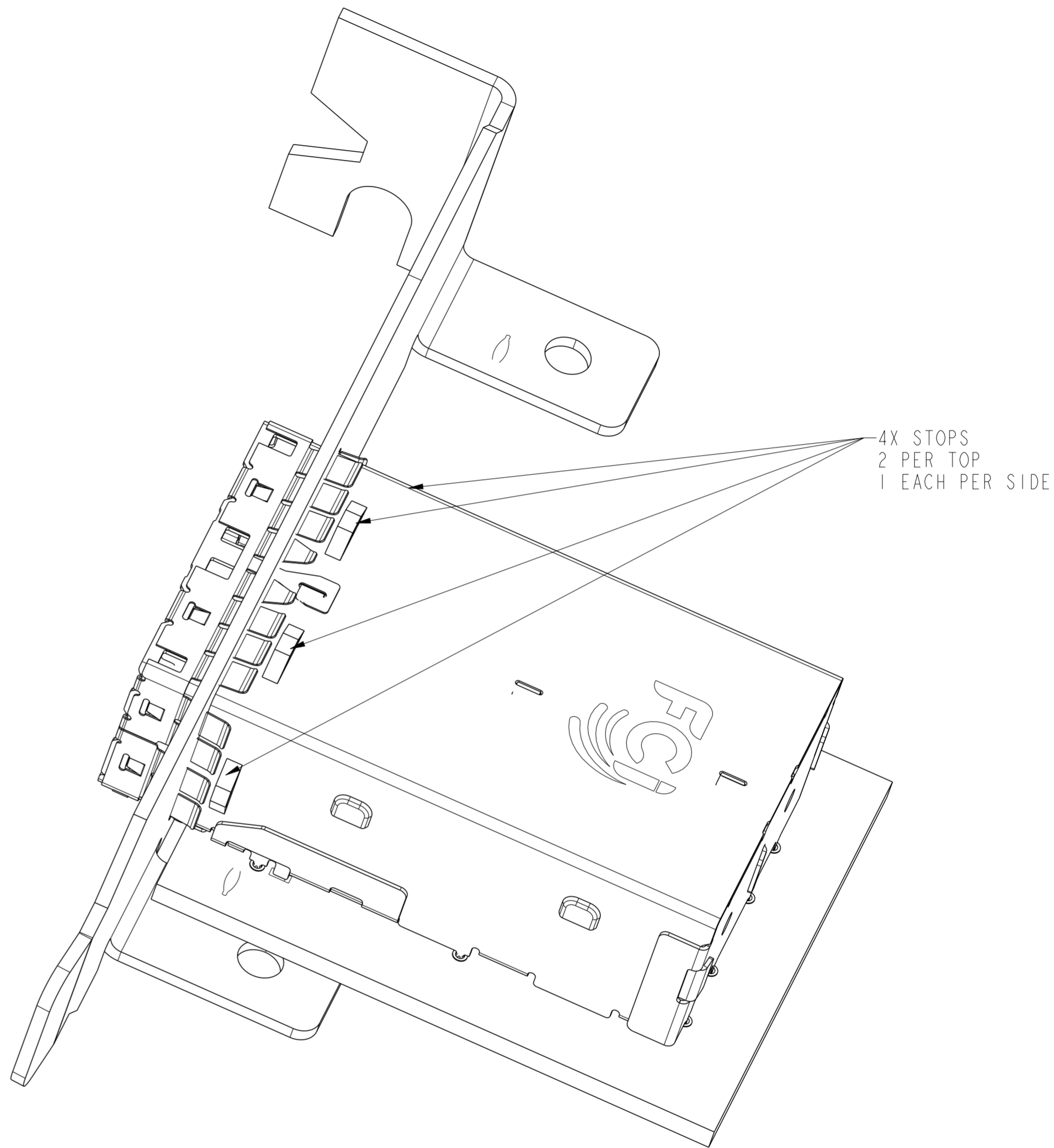
Copyright FCI. FCI

1 2 3 4 5 6 7 8

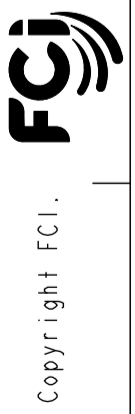
A
B
C
D
E
F



ASSEMBLED VIEW
WITH STOPS
SCALE 4:1



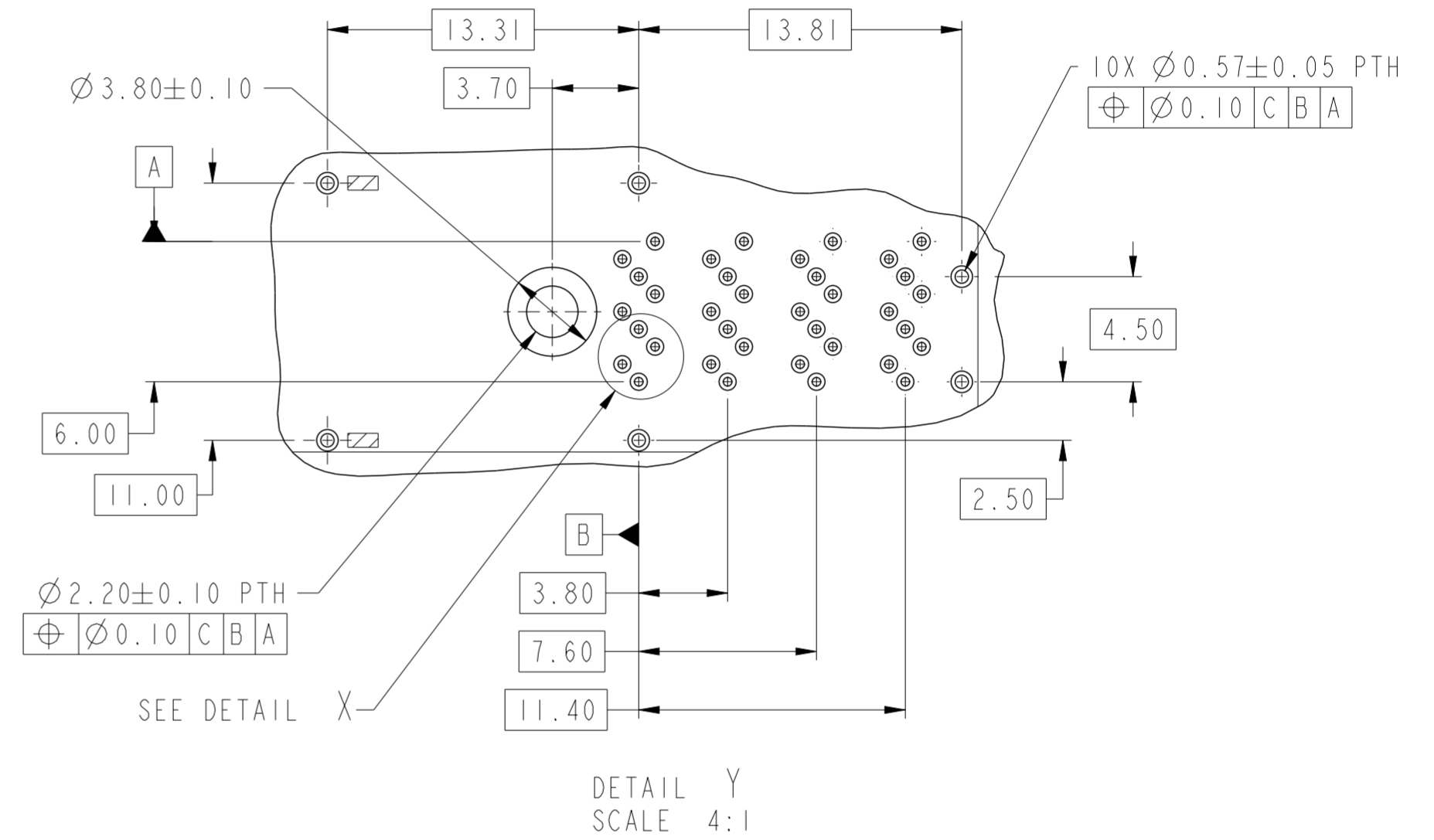
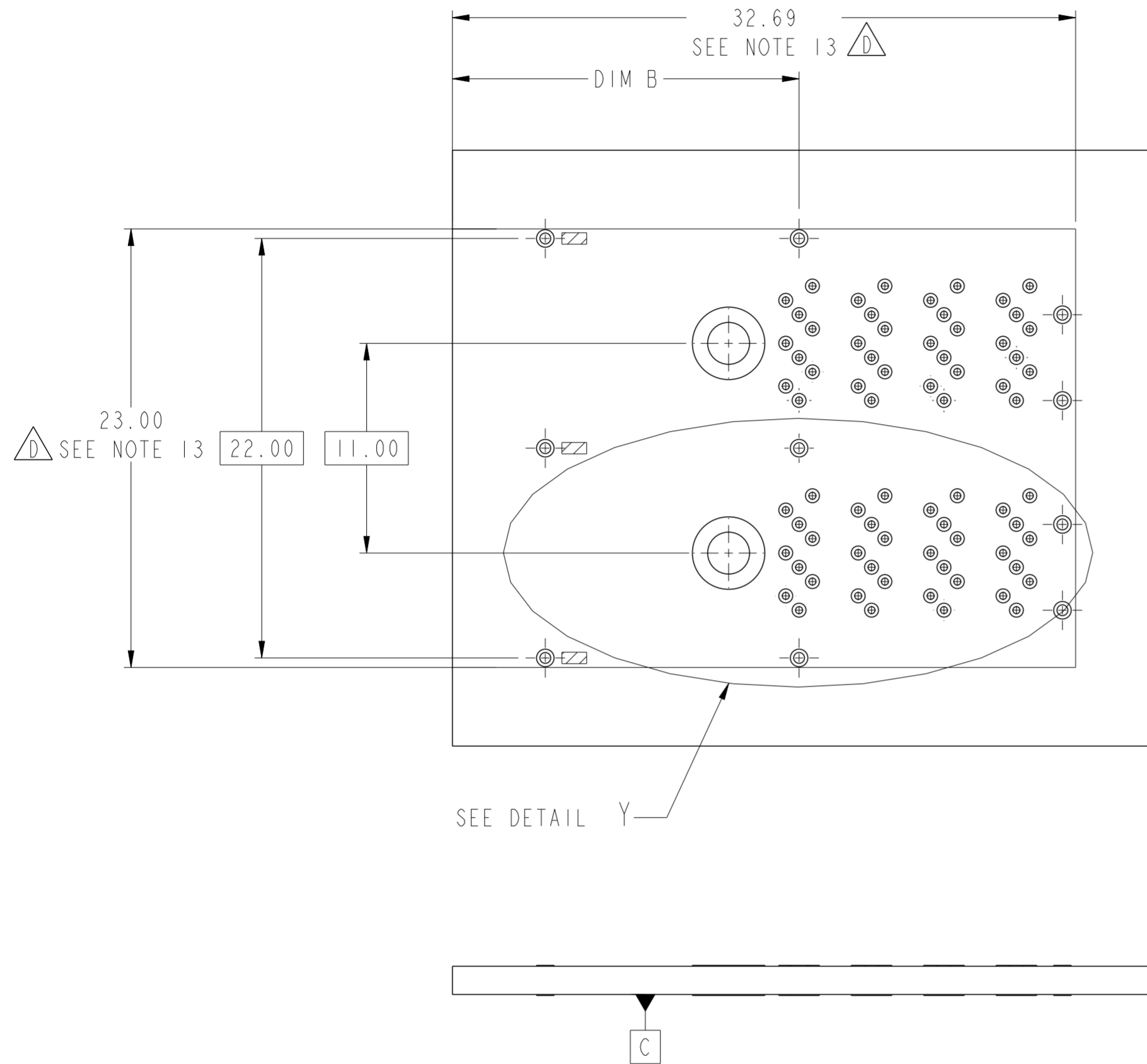
10112627-102 & 102LF
WITH STOPS
SCALE 4:1



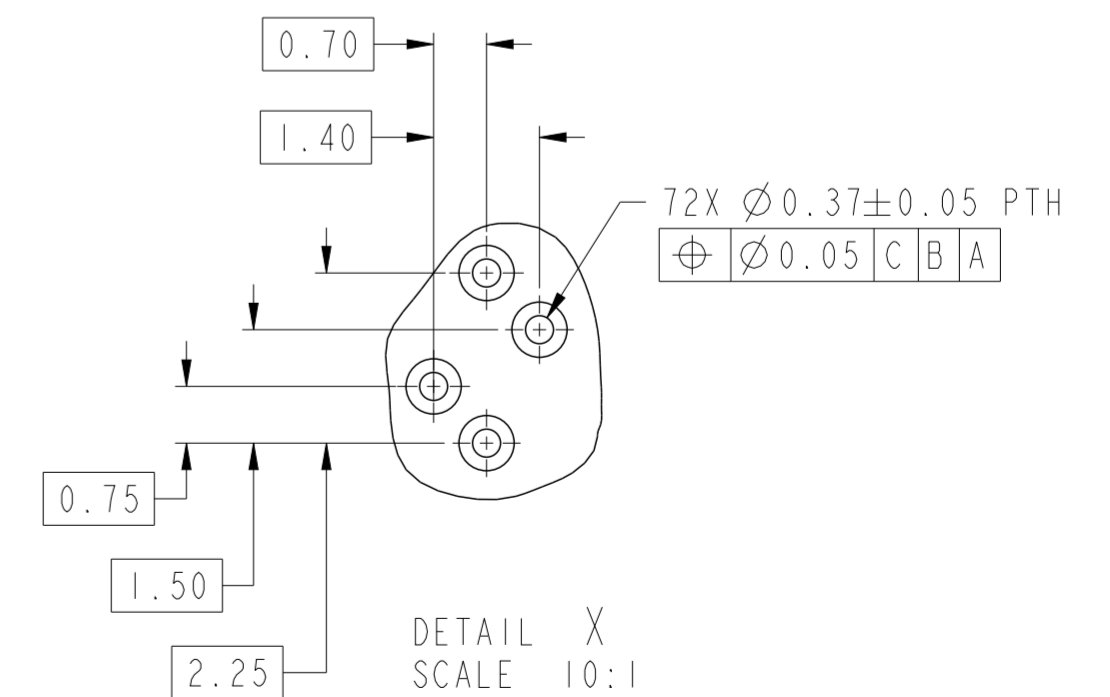
spec ref -		dr Mark Gray	2010/08/04	projection	MM	size A2	scale 1:1
tolerance std ASME Y14.5		eng M Scholeno	2012/09/10			ecn no ELX-V-012260-1	
TOLERANCES UNLESS OTHERWISE SPECIFIED		chr -	2012/09/12			rel level	
surface -		appr Brad Brubaker	2012/09/12	product family MINI-SAS HD		rev	
ASME Y14.5	<input checked="" type="checkbox"/> linear <input type="checkbox"/> angular	0.X	±0.25		title IX2 EXTERNAL ASSEMBLY MINI-SAS HD		dwg no 10112627 rev D
		0.XX	±0.13				
		0.XXX	±				
		0°	±1/2°	www.fci.com cat. no.		Product - Customer Draw sheet 3 of 7	

APPLICATION	DIM B
PCI ADD-IN CARD	17.10±0.15
ALL OTHER APPLICATIONS	18.19±0.15

RECOMMENDED BOARD LAYOUT



DETAIL Y
SCALE 4:1



DETAIL X
SCALE 10:1

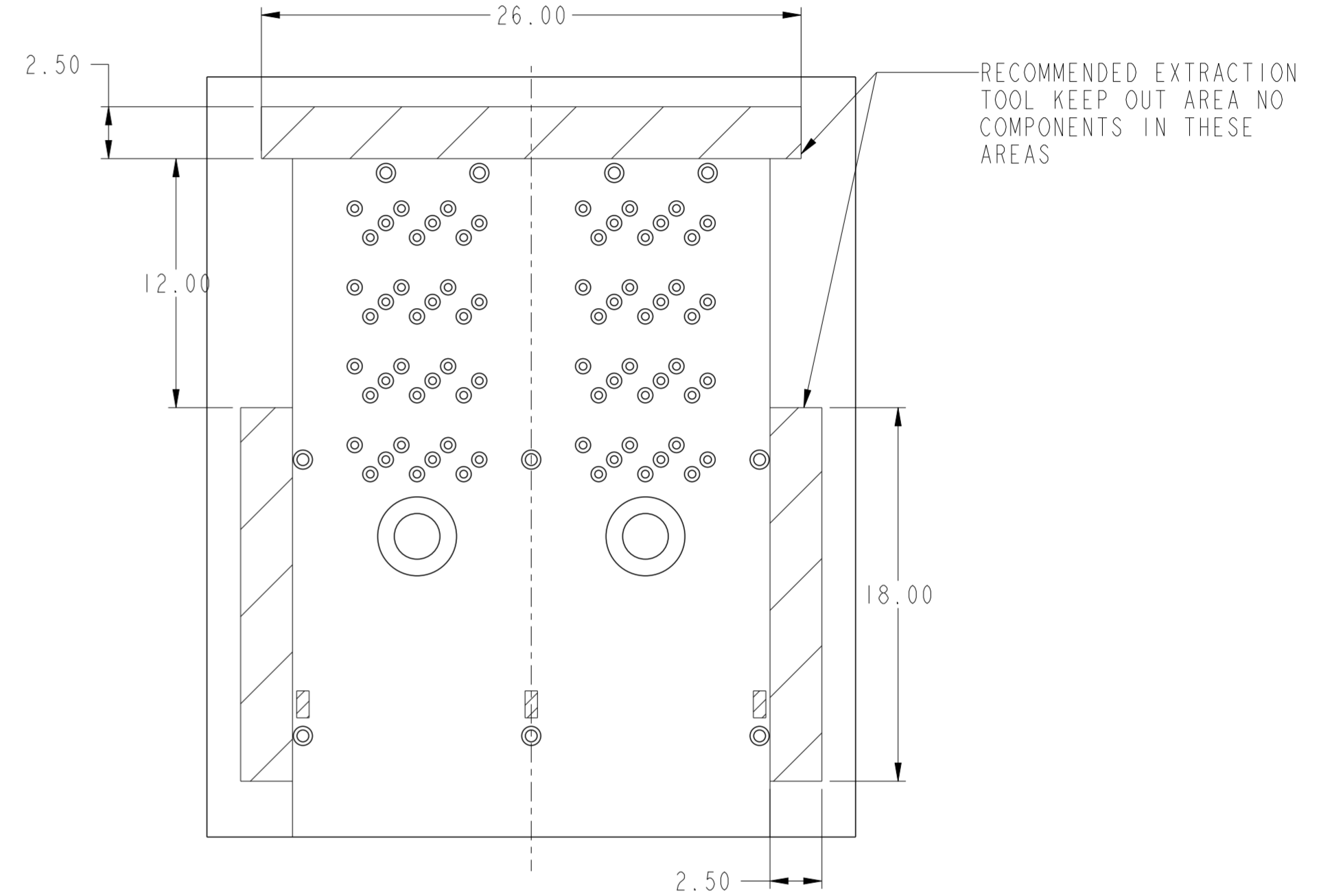
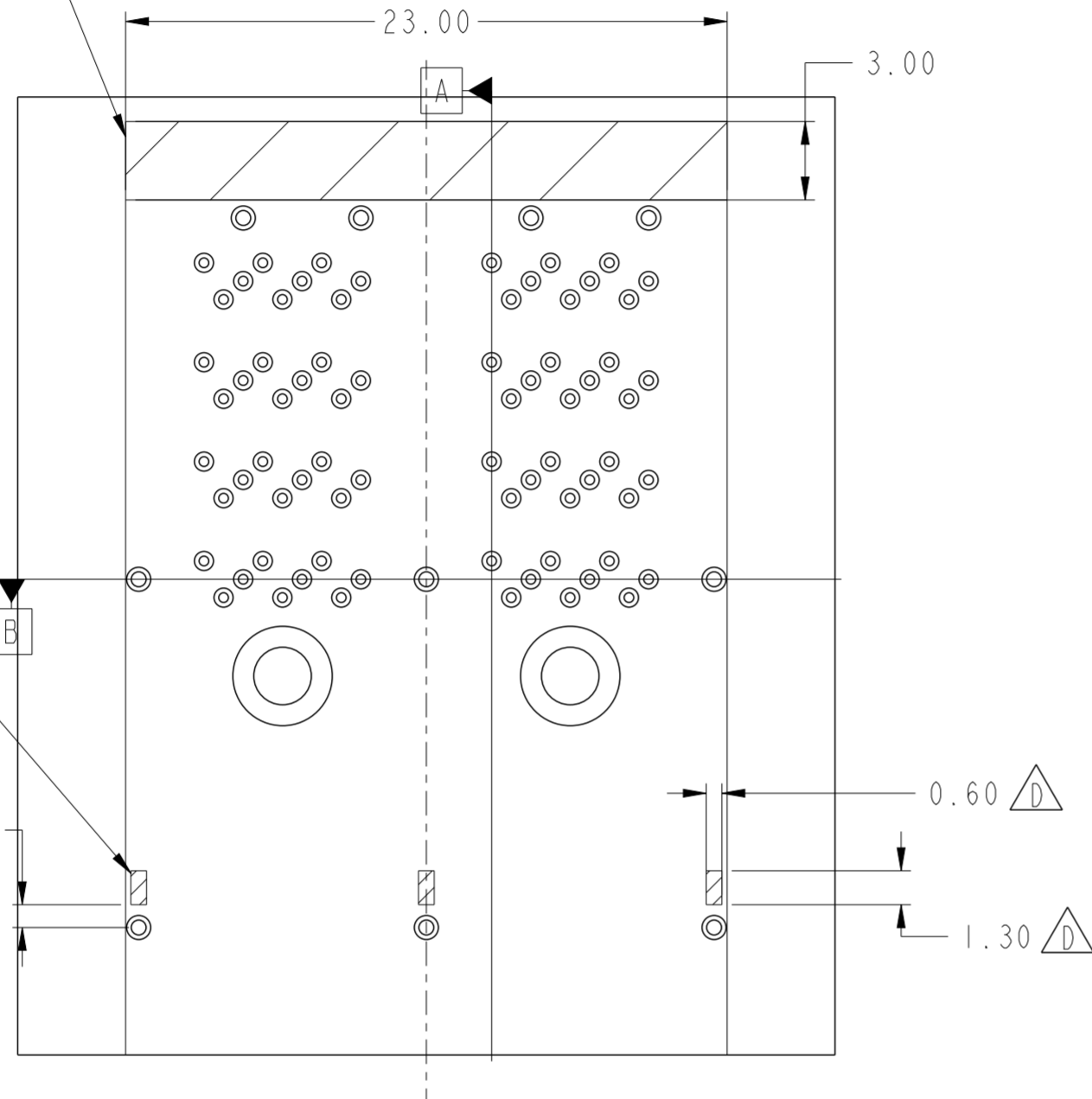
NOTES:

- RECOMMENDED DRILL SIZE FOR A Ø0.37 FINISHED PTH IS Ø0.457.
- RECOMMENDED ANNULAR RING AROUND Ø0.37 FINISHED PTH IS Ø0.73.
- RECOMMENDED DRILL SIZE FOR A Ø0.57 FINISHED PTH IS Ø0.68.
- RECOMMENDED ANNULAR RING AROUND Ø0.57 FINISHED PTH IS Ø0.93.
- MINIMUM RECOMMENDED CENTER TO CENTER SPACING BETWEEN ADJACENT CONNECTORS: 25.00mm.
- CONNECTOR KEEP OUT AREA.
- MINIMUM PCB THICKNESS: 1.57mm.

spec ref	-	dr	Mark Gray	2010/08/04	projection	MM	size	A2	scale	1:1
tolerance std	ASME Y14.5	eng	M Scholeno	2012/09/10	chr	-	ecn no	ELX-V-012260-1	rel level	Released
surface	✓	appr	Brad Brubaker	2012/09/12	product family	MINI-SAS HD	cat. no.	10112627	rev	D
ASME Y14.5	linear	0.X	±0.25	0.XX	±0.13	0.XXX	±	angular	0°	±1/2°

RECOMMENDED TOOLING KEEP OUT AREAS

RECOMMENDED INSERTION TOOL
KEEP OUT AREA
NO COMPONENTS IN THIS AREA
MORE THAN 7.50mm TALL



KEEP OUT AREA

0.87

0.60

1.30

RECOMMENDED EXTRACTION TOOL
KEEP OUT AREA NO
COMPONENTS IN THESE
AREAS

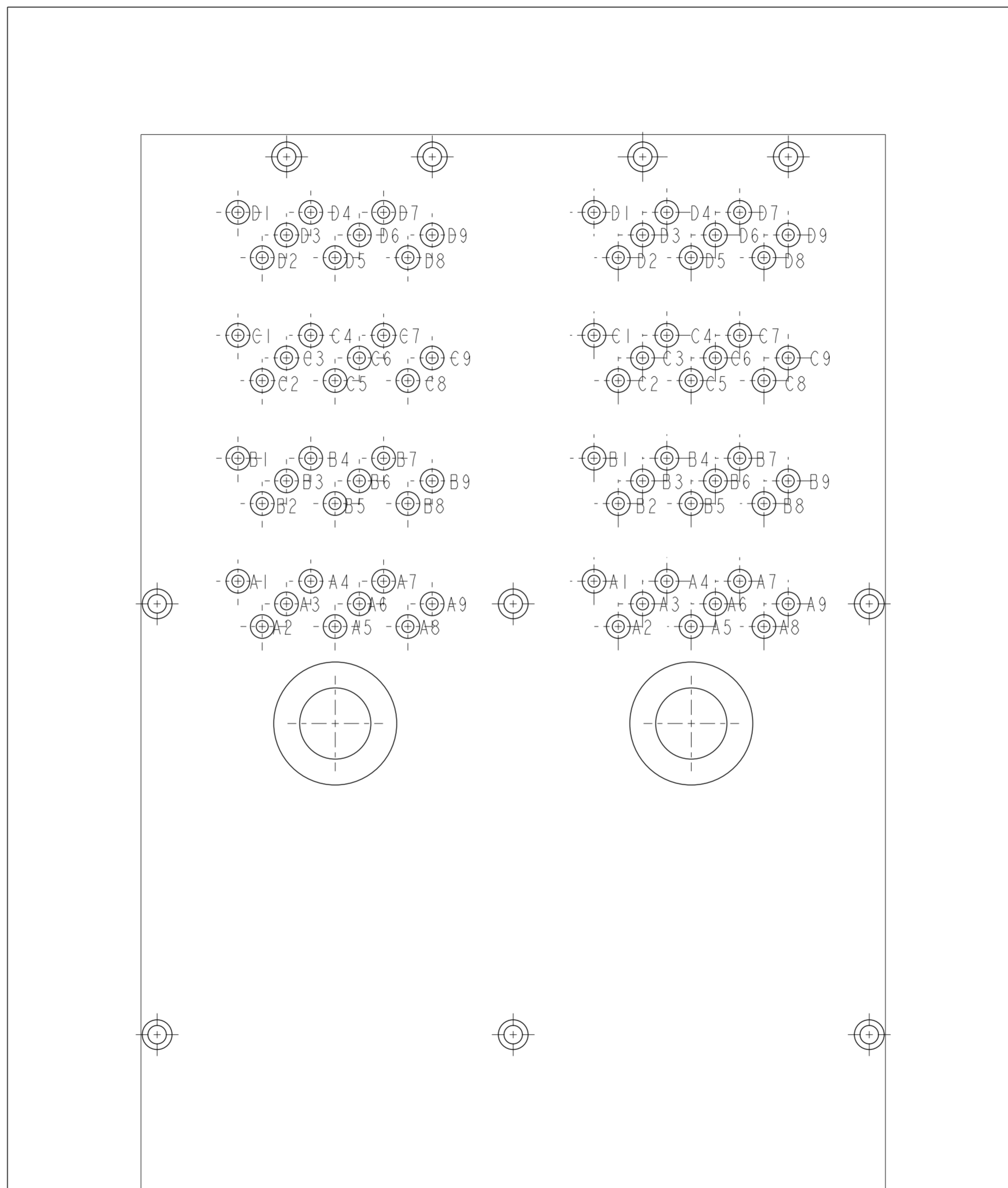
18.00

2.50

spec ref	-	dr	Mark Gray	2010/08/04	projection	MM	size	A2	scale	1:1
tolerance std	ASME Y14.5	eng	M Scholeno	2012/09/10	chr	-	ecn no	ELX-V-012260-1	rel level	Released
TOLERANCES UNLESS OTHERWISE SPECIFIED		appr	Brad Brubaker	2012/09/12	product family	MINI-SAS HD	rel level	Released		
surface	linear	0.X	±0.25	FCJ	title	IX2 EXTERNAL ASSEMBLY	dwg no	10112627	rev	D
		0.XX	±0.13							
		0.XXX	±							
ASME Y14.5	angular	0°	±1/2°	www.fci.com	cat. no.	-	Product - Customer Drw	sheet 5 of 7		

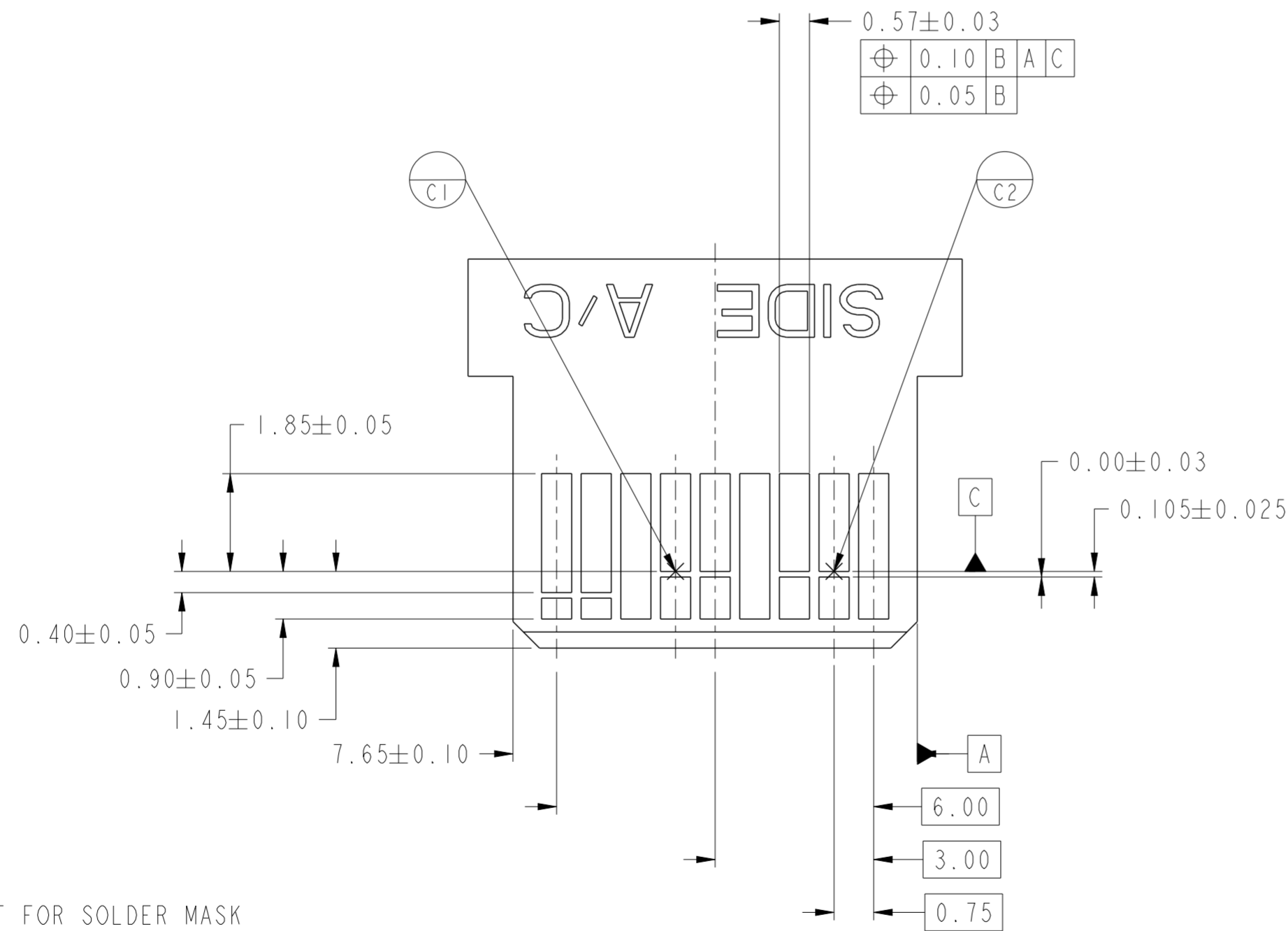
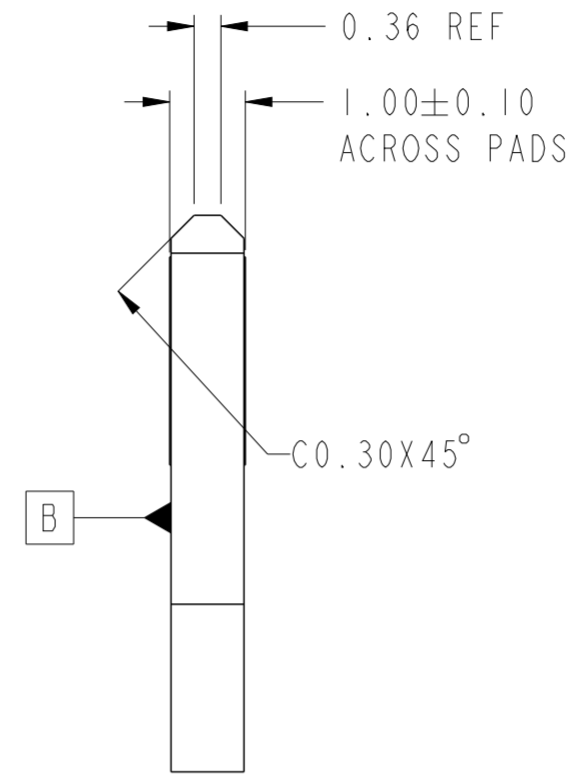
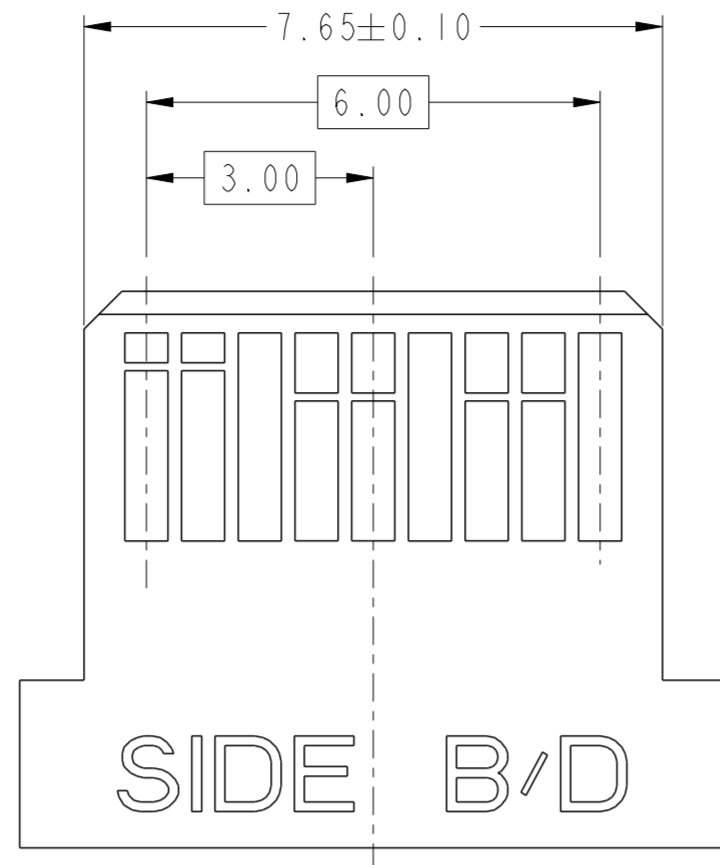


PIN OUT DESIGNATIONS



Copyright FCI.

spec ref	-	dr	Mark Gray	2010/08/04	projection	MM	size	A2	scale	1:1	
tolerance std	ASME Y14.5	eng	M Scholeno	2012/09/10			ecn no	ELX-V-012260-1	rel level	Released	
TOLERANCES UNLESS OTHERWISE SPECIFIED		chr	-	product family							MINI-SAS HD
surface	✓	appr	Brad Brubaker	2012/09/12	title	IX2 EXTERNAL ASSEMBLY		dwg no	10112627	rev	D
ASME Y14.5	linear	0.X	±0.25	0.XX	±0.13	0.XXX	±	angular	0°	±1/2°	www.fci.com
		cat. no.			Product - Customer Drw	sheet 6 of 7					



- NOTES:
- 15. 0.05 MINIMUM KEEP OUT FOR SOLDER MASK AROUND ALL PADS.
 - 16. DATUM D TARGETS ARE DEFINED BY THE RESPECTIVE PAD CENTER LINES AND THE LEADING EDGE OF THE TARGET PADS.

spec ref	-	dr	Mark Gray	2010/08/04	projection	MM	size	A2	scale	1:1
tolerance std	ASME Y14.5	eng	M Scholeno	2012/09/10	chr	-	ecn no	ELX-V-012260-1	rel level	Released
surface	✓	appr	Brad Brubaker	2012/09/12	product family	MINI-SAS HD	cat. no.	10112627	rev	D
ASME Y14.5	linear	0.X	±0.25	0.XX	±0.13	0.XXX	±-	angular	0°	±1/2°