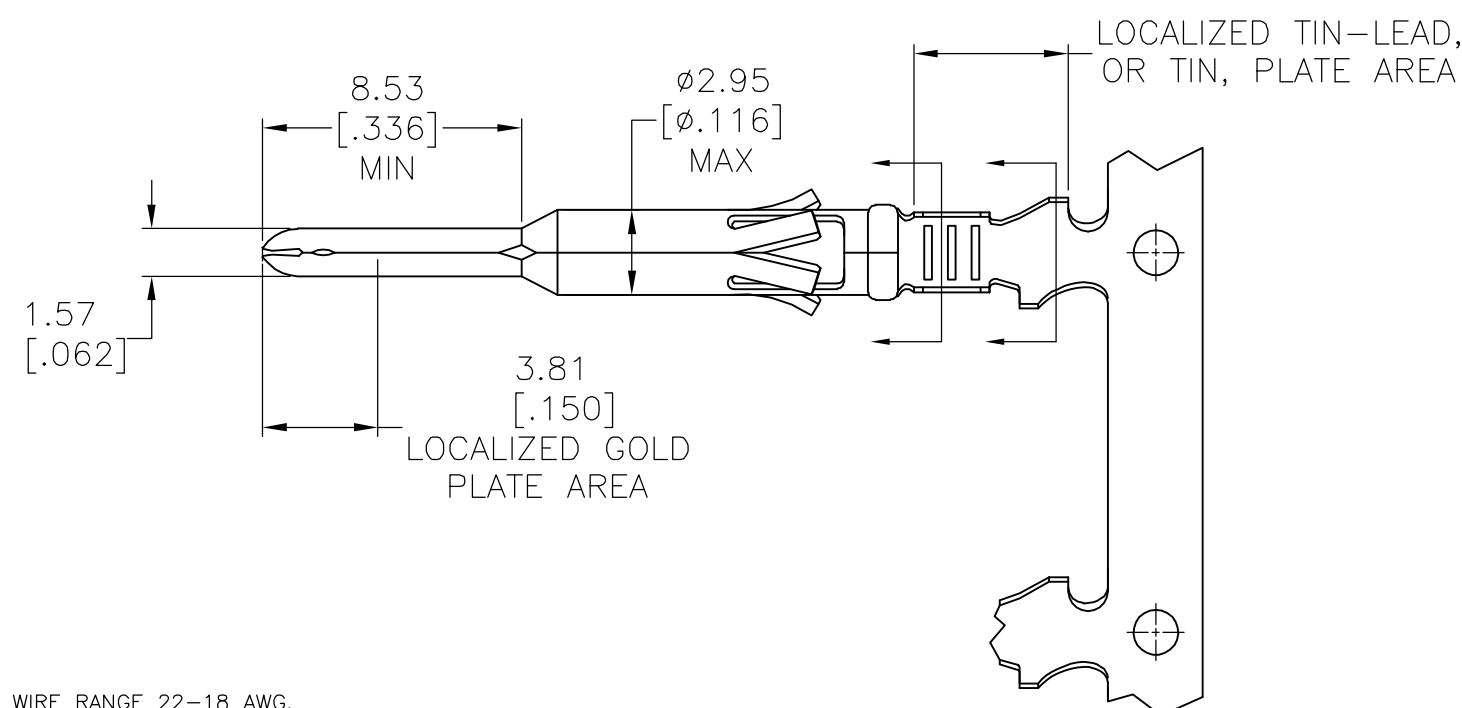
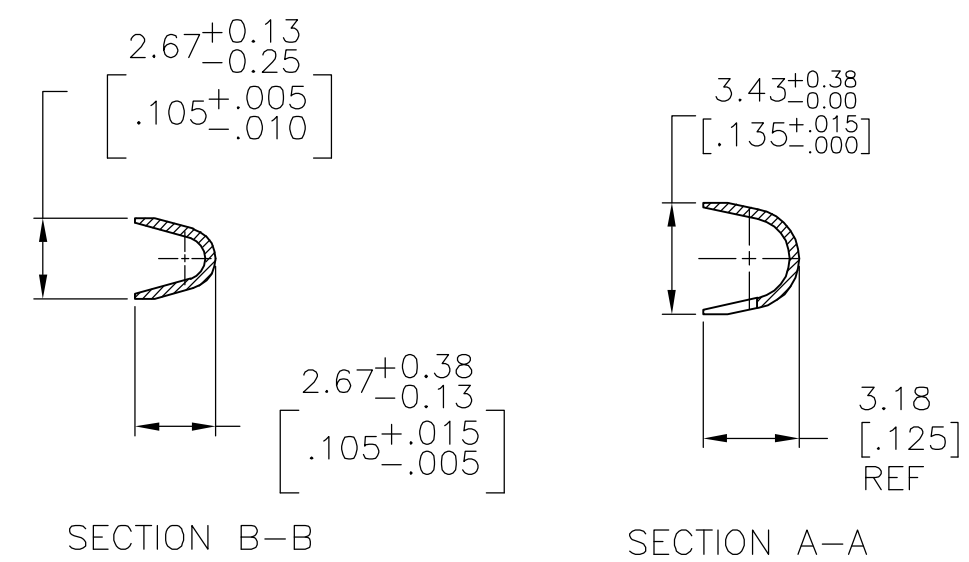
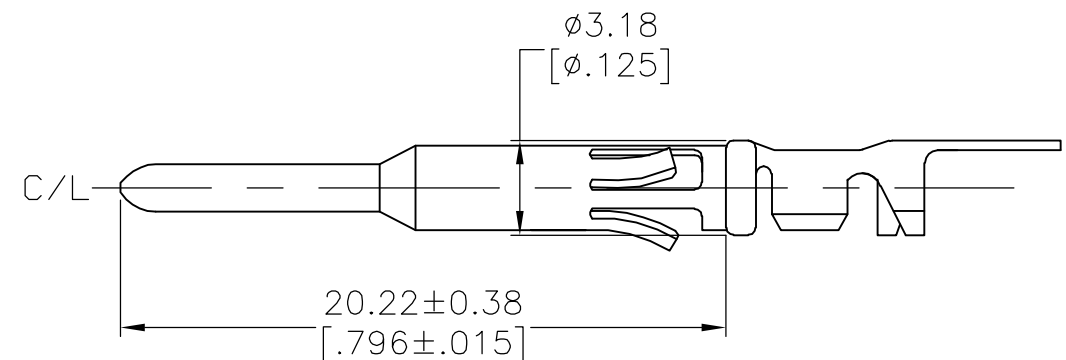
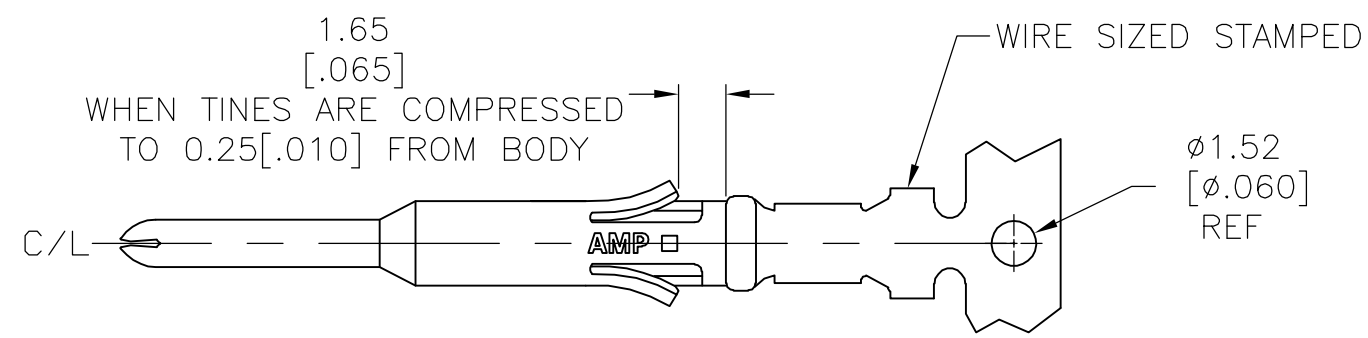


THIS DRAWING IS UNPUBLISHED. RELEASED FOR PUBLICATION
 © COPYRIGHT BY TYCO ELECTRONICS CORPORATION. ALL RIGHTS RESERVED.

LOC	DIST	REVISIONS			
P	LTR	DESCRIPTION	DATE	DWN	APVD
FT	0	F1	REV PER ECO-05-13552	11/16/05	SS GS



- WIRE RANGE 22-18 AWG.
- INSULATION RANGE 1.27-2.79 [.050-.110] DIA.
- FOR LOOSE PIECE PART SEE DWG 66591.
- 0.76µm [.000030] MIN GOLD IN LOCALIZED GOLD PLATE AREA, 1.27µm [.000050] MIN TIN-LEAD IN LOCALIZED TIN-LEAD PLATE AREA, BOTH OVER 1.27µm [.000050] MIN NICKEL.
- TIN PLATED.
- GOLD PLATING PER MIL-G-45204, TIN PER MIL-T-10727 AND NICKEL PER QQ-N-290.
- 0.76µm [.000030] MIN GOLD IN LOCALIZED GOLD PLATE AREA, 1.27µm [.000050] MIN TIN IN LOCALIZED TIN PLATE AREA, BOTH OVER 1.27µm [.000050] MIN NICKEL.

DESCRIPTION	FINISH	PART NUMBER
REVERSE REELED FOR MINI-APPLICATOR	△7	66581-7
REVERSE REELED FOR MINI-APPLICATOR	△4	66581-4
-	△4	66581-3
REVERSE REELED FOR MINI-APPLICATOR	△5	66581-2
-	△5	66581-1

THIS DRAWING IS A CONTROLLED DOCUMENT.

DIMENSIONS: mm [INCHES]	TOLERANCES UNLESS OTHERWISE SPECIFIED:	DWN V. FURLER 15MAY2003		Tyco Electronics Corporation Harrisburg, PA 17105-3608			
	0 PLC ± - 1 PLC ± - 2 PLC ± 0.13 [.005] 3 PLC ± - 4 PLC ± - ANGLES ± -	CHK G. STEINHAUER 16MAY03 APVD G. STEINHAUER 16MAY03		NAME	CONTACT, PIN, STRIP, TYPE VI, MULTIMATE		
MATERIAL BRASS MIL-C-50	FINISH SEE TABLE △	PRODUCT SPEC -	APPLICATION SPEC -	SIZE A3	CAGE CODE 00779	DRAWING NO C-66581	RESTRICTED TO -
CUSTOMER DRAWING			WEIGHT -	SCALE NTS	SHEET 1 OF 1	REV F1	