

PART NAME: KNOB SCALE: 1:1 DATE: 12/26/40 DR. BY JWC

THIS DRAWING IS THE PROPERTY OF DAVIES MOLDING COMPANY, IS SUBMITTED SOLELY AS A DESIGN OR ENGINEERING PROJECT. WE ACCEPT NO RESPONSIBILITY WHATSOEVER FOR THE PRACTICAL APPLICATION OF THE PIECES MADE TO THIS DESIGN.

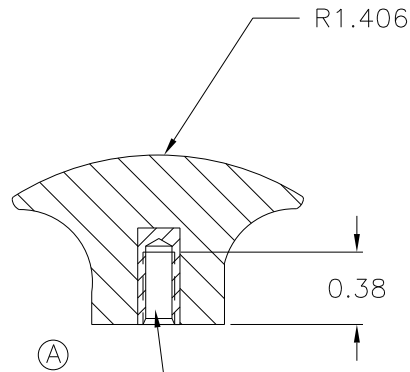
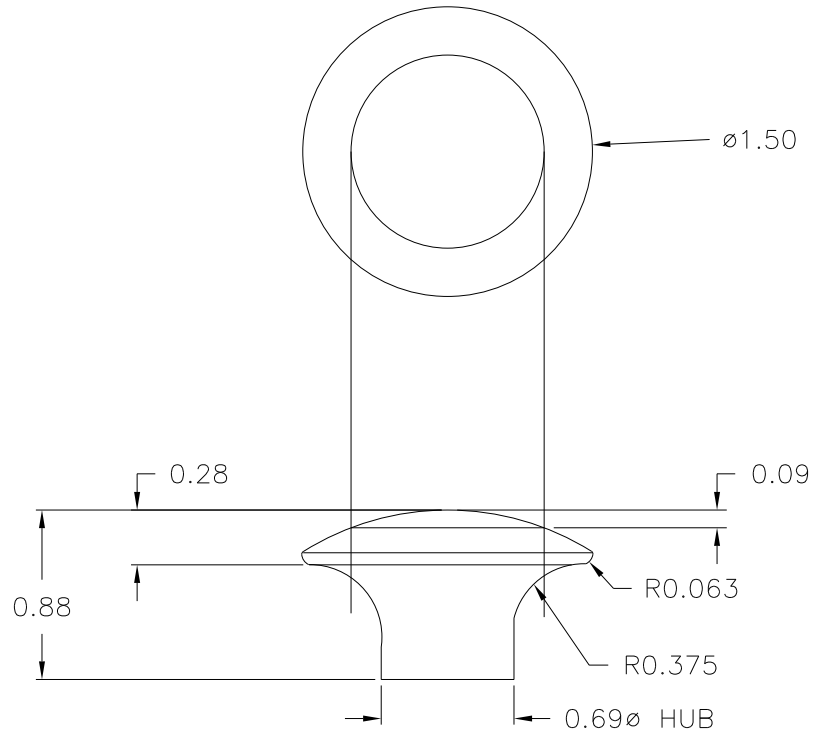


DESIGNERS & MANUFACTURERS
OF KNOBS, HANDLES, CASES &
CUSTOM PLASTIC COMPONENTS

P/N 3006-C

M NO. 3006

PIN	3006-C
SHIMS	# 1
TOP PLUNGER	3006
INSERT	10001



8-32 UNC-2B THREAD.
10001, H.H.BRASS

MATERIAL: G.P. PHENOLIC (B11)
COLOR: BLACK

TOLERANCES: UNLESS OTHERWISE SPECIFIED		DO NOT SCALE DRAWING			
DECIMALS: X.XXX ± .005 X.XX ± .015	MM: X.XX ± 0.15MM X.X ± 0.4MM	-	CAD/REDRAWN	HD	6/26/97
		A	.500ø X .010 DEEP C'B DELETED	HD	9/9/83
FRACTIONS ± 1/64	ANG. ± 1°	CHANGES			