


| SIGN | DATE     | DESCRIPTION                                     | APPROVER |
|------|----------|---|----------|
| △    | 01/18'07 | Soldering temperature changed from 245° to 250° | Tason    |
| △    | 01/18'07 | Part No is Changed                              | Tason    |
| △    | 03/25'09 | Add the tolerance table                         | Jacke    |

THIS IS CAD DRAWING, DO NOT REVISE MANUALLY!!!

**Material**

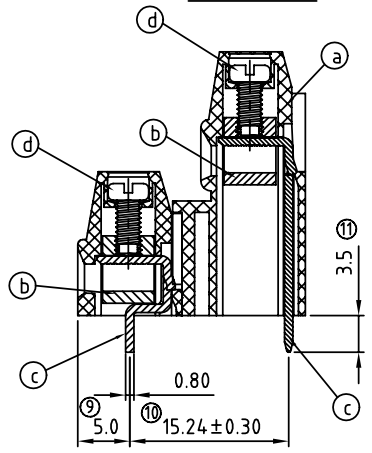
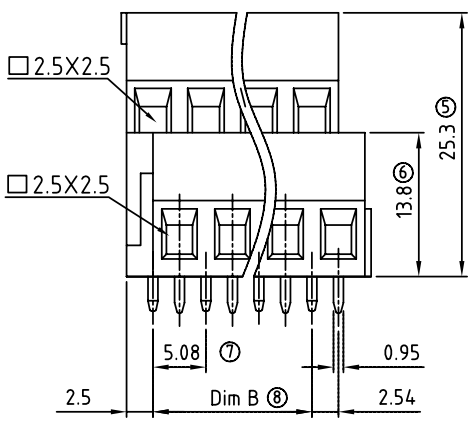
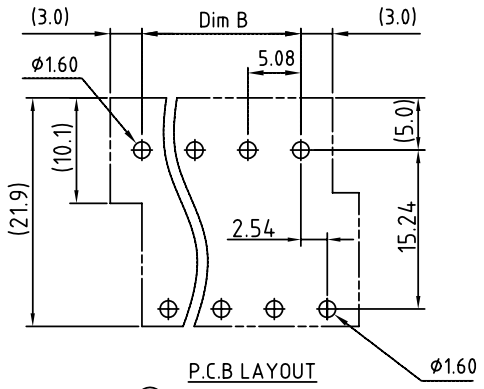
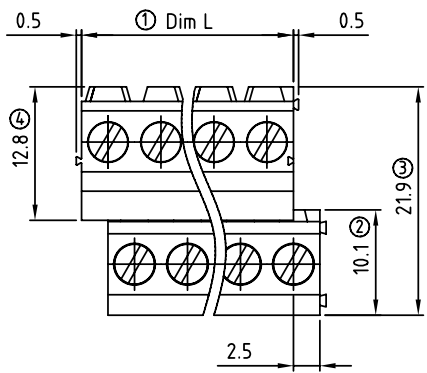
- Item a Terminal housing :Thermoplastic (UL 94V-0)
- Item b Clamp :Brass Ni plated
- Item c Wire guard solder pin :Brass ,Tin plated
- Item d Terminal screw :Steel Zinc plating"-slot type

**Electrical**

- Voltage rating: 300VAC
- Current rating: 20A
- Wire range:
- Solid wire(AWG): 12-22
- Stranded wire(AWG): 12-22
- Torque(Lb-In): 3.5
- Screw: M2.5
- Wire strip length: 6-7mm
- Withstanding Voltage: 1.6KV
- Operating temperature: -40°C to +115°C
- Soldering temperature: 250°C±10°C/5 Sec
- Safety Approval: 

△ YL xx 6 1 x 0 xxxx G

|                  |          |   |                     |
|------------------|----------|---|---------------------|
|                  | COLOR    | 0000 @ logo                             | RoHS pb<40 , 000ppm |
| 04 2x2 CONTACTS  | 0: BLACK | 000A ANYTEK logo                        |                     |
| 06 2x3 CONTACTS  | 5: GREEN | (Steel screw plating Cr <sup>3+</sup> ) |                     |
| ... ..           | 6: BLUE  | Any special item by                     |                     |
| 48 2x24 CONTACTS | 8: GREY  | customer request,                       |                     |
| 64 2x32 CONTACTS |          | please contact sales                    |                     |
|                  |          | department.                             |                     |



| Poles | 2x2   | 2x3   | 2x4   | 2x5   | 2x6   | 2x7   | 2x8    | 2x9    | 2x10   | 2x11   | 2x12   | 2x13  |
|-------|-------|-------|-------|-------|-------|-------|--------|--------|--------|--------|--------|-------|
| Dim L | 10.16 | 15.24 | 20.32 | 25.40 | 30.48 | 35.56 | 40.64  | 45.72  | 50.80  | 55.88  | 60.96  | 66.04 |
| Dim B | 5.08  | 10.16 | 15.24 | 20.32 | 25.40 | 30.48 | 35.56  | 40.64  | 45.72  | 50.80  | 55.88  | 60.96 |
| TOL   | ±0.20 |       |       |       |       | ±0.30 |        |        |        |        | ±0.35  |       |
| Poles | 2x14  | 2x15  | 2x16  | 2x17  | 2x18  | 2x19  | 2x20   | 2x21   | 2x22   | 2x23   | 2x24   |       |
| Dim L | 71.12 | 76.20 | 81.28 | 86.36 | 91.44 | 96.52 | 101.60 | 106.68 | 111.76 | 116.84 | 121.92 |       |
| Dim B | 66.04 | 71.12 | 76.20 | 81.28 | 86.36 | 91.44 | 96.52  | 101.60 | 106.68 | 111.76 | 116.84 |       |
| TOL   | ±0.35 |       |       |       |       | ±0.40 |        |        |        |        |        |       |

|   |                             |                     |                     |                      |   |  |  |          |    |       |             |     |       |  |      |       |  |    |     |
|---|-----------------------------|---------------------|---------------------|----------------------|---|--|--|----------|----|-------|-------------|-----|-------|--|------|-------|--|----|-----|
| <b>ANYTEK</b>   |                             |                     |                     | <b>CUSTOMER COPY</b> |   |  |  |          |    |       |             |     |       |  |      |       |  |    |     |
| ALL RIGHTS RESERVED. REPRODUCTION OR ISSUE TO THIRD PARTIES IN ANY FORM WHATSOEVER IS NOT PERMITTED WITHOUT WRITTEN AUTHORITY FROM THE PROPRIETOR. PROPERTY OF ANYTEK TECHNOLOGY CO., LTD |                             |                     |                     |                      |   |  |  |          |    |       |             |     |       |  |      |       |  |    |     |
| TITLE   | YL-5.08mm Series "- " Right |                     |                     |                      |   |  |  |          |    |       |             |     |       |  |      |       |  |    |     |
| PART NO.  | YLxx61x00000G               |                     |                     | DWG NO.              | 8YL0102   |  |  |          |    |       |             |     |       |  |      |       |  |    |     |
| APPROVED  | CHECKED                     | DESIGNED            | DRAWN               | CUST NO.             | Tolerance   |  |  |          |    |       |             |     |       |  |      |       |  |    |     |
|   |                             | Jacke<br>2009.03.25 | Jacke<br>2009.03.25 |                      | <table border="0"> <tr> <td>UNIT: mm</td> <td>X.</td> <td>±0.50</td> </tr> <tr> <td>SCALE: NONE</td> <td>X.X</td> <td>±0.30</td> </tr> <tr> <td></td> <td>X.XX</td> <td>±0.10</td> </tr> <tr> <td></td> <td>X°</td> <td>±1°</td> </tr> </table> |  |  | UNIT: mm | X. | ±0.50 | SCALE: NONE | X.X | ±0.30 |  | X.XX | ±0.10 |  | X° | ±1° |
| UNIT: mm  | X.                          | ±0.50               |                     |                      |   |  |  |          |    |       |             |     |       |  |      |       |  |    |     |
| SCALE: NONE   | X.X                         | ±0.30               |                     |                      |   |  |  |          |    |       |             |     |       |  |      |       |  |    |     |
|   | X.XX                        | ±0.10               |                     |                      |   |  |  |          |    |       |             |     |       |  |      |       |  |    |     |
|   | X°                          | ±1°                 |                     |                      |   |  |  |          |    |       |             |     |       |  |      |       |  |    |     |
|   |                             |                     |                     | SHEET: 01/01         | REV: E  |  |  |          |    |       |             |     |       |  |      |       |  |    |     |