


| SIGN | DATE | DESCRIPTION | APPROVER |
|------|----------|---|----------|
| △ | 01/18'07 | Soldering temperature changed from 245° to 250° | Tason |
| △ | 01/18'07 | Part No is Changed | Tason |
| △ | 03/25'09 | Add the tolerance table | Jacke |

THIS IS CAD DRAWING, DO NOT REVISE MANUALLY!!!

Material

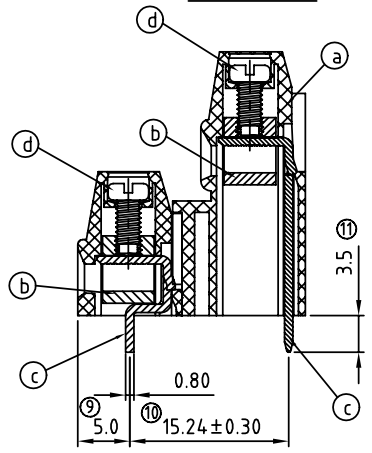
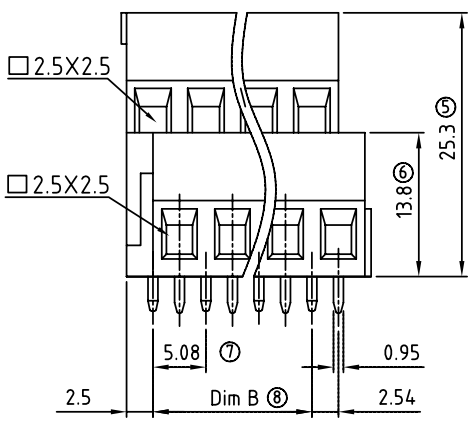
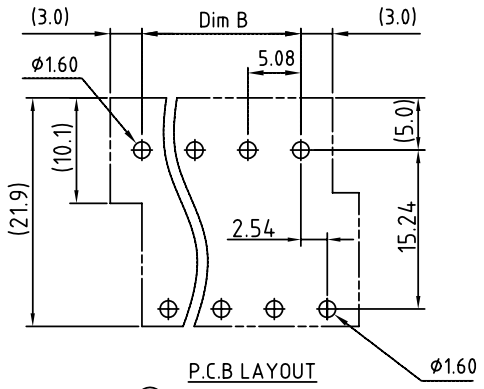
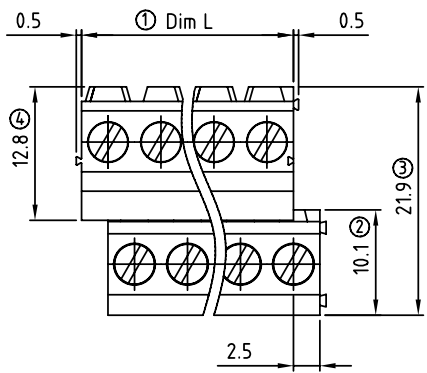
- Item a Terminal housing :Thermoplastic (UL 94V-0)
- Item b Clamp :Brass Ni plated
- Item c Wire guard solder pin :Brass ,Tin plated
- Item d Terminal screw :Steel Zinc plating"-slot type

Electrical

- Voltage rating: 300VAC
- Current rating: 20A
- Wire range:
- Solid wire(AWG): 12-22
- Stranded wire(AWG): 12-22
- Torque(Lb-In): 3.5
- Screw: M2.5
- Wire strip length: 6-7mm
- Withstanding Voltage: 1.6KV
- Operating temperature: -40°C to +115°C
- Soldering temperature: 250°C±10°C/5 Sec
- Safety Approval: 

△ YL xx 6 1 x 0 xxxx G

| | | | |
|------------------|----------|---|---------------------|
| | COLOR | 0000 @ logo | RoHS pb<40 , 000ppm |
| 04 2x2 CONTACTS | 0: BLACK | 000A ANYTEK logo | |
| 06 2x3 CONTACTS | 5: GREEN | (Steel screw plating Cr ³⁺) | |
| | 6: BLUE | Any special item by | |
| 48 2x24 CONTACTS | 8: GREY | customer request, | |
| 64 2x32 CONTACTS | | please contact sales | |
| | | department. | |



| Poles | 2x2 | 2x3 | 2x4 | 2x5 | 2x6 | 2x7 | 2x8 | 2x9 | 2x10 | 2x11 | 2x12 | 2x13 |
|-------|-------|-------|-------|-------|-------|-------|--------|--------|--------|--------|--------|-------|
| Dim L | 10.16 | 15.24 | 20.32 | 25.40 | 30.48 | 35.56 | 40.64 | 45.72 | 50.80 | 55.88 | 60.96 | 66.04 |
| Dim B | 5.08 | 10.16 | 15.24 | 20.32 | 25.40 | 30.48 | 35.56 | 40.64 | 45.72 | 50.80 | 55.88 | 60.96 |
| TOL | ±0.20 | | | | | ±0.30 | | | | | ±0.35 | |
| Poles | 2x14 | 2x15 | 2x16 | 2x17 | 2x18 | 2x19 | 2x20 | 2x21 | 2x22 | 2x23 | 2x24 | |
| Dim L | 71.12 | 76.20 | 81.28 | 86.36 | 91.44 | 96.52 | 101.60 | 106.68 | 111.76 | 116.84 | 121.92 | |
| Dim B | 66.04 | 71.12 | 76.20 | 81.28 | 86.36 | 91.44 | 96.52 | 101.60 | 106.68 | 111.76 | 116.84 | |
| TOL | ±0.35 | | | | | ±0.40 | | | | | | |

| | | | | | | | | | | | | | | | | | | | |
|---|-----------------------------|---------------------|---------------------|----------------------|---|--|--|----------|----|-------|-------------|-----|-------|--|------|-------|--|----|-----|
| ANYTEK | | | | CUSTOMER COPY | | | | | | | | | | | | | | | |
| ALL RIGHTS RESERVED. REPRODUCTION OR ISSUE TO THIRD PARTIES IN ANY FORM WHATSOEVER IS NOT PERMITTED WITHOUT WRITTEN AUTHORITY FROM THE PROPRIETOR. PROPERTY OF ANYTEK TECHNOLOGY CO., LTD | | | | | | | | | | | | | | | | | | | |
| TITLE | YL-5.08mm Series "- " Right | | | | | | | | | | | | | | | | | | |
| PART NO. | YLxx61x00000G | | | DWG NO. | 8YL0102 | | | | | | | | | | | | | | |
| APPROVED | CHECKED | DESIGNED | DRAWN | CUST NO. | Tolerance | | | | | | | | | | | | | | |
| | | Jacke 2009.03.25 | Jacke 2009.03.25 | | <table border="0"> <tr> <td>UNIT: mm</td> <td>X.</td> <td>±0.50</td> </tr> <tr> <td>SCALE: NONE</td> <td>X.X</td> <td>±0.30</td> </tr> <tr> <td></td> <td>X.XX</td> <td>±0.10</td> </tr> <tr> <td></td> <td>X°</td> <td>±1°</td> </tr> </table> | | | UNIT: mm | X. | ±0.50 | SCALE: NONE | X.X | ±0.30 | | X.XX | ±0.10 | | X° | ±1° |
| UNIT: mm | X. | ±0.50 | | | | | | | | | | | | | | | | | |
| SCALE: NONE | X.X | ±0.30 | | | | | | | | | | | | | | | | | |
| | X.XX | ±0.10 | | | | | | | | | | | | | | | | | |
| | X° | ±1° | | | | | | | | | | | | | | | | | |
| SHEET: 01/01 | | | | REV.: E | | | | | | | | | | | | | | | |