


SIGN	DATE	DESCRIPTION	APPROVER
△	01/18'07	Soldering temperature changed from 245° to 250°	Tason
△	01/18'07	Part No is Changed	Tason
△	03/25'09	Add the tolerance table	Jacke

THIS IS CAD DRAWING, DO NOT REVISE MANUALLY!!!

Material

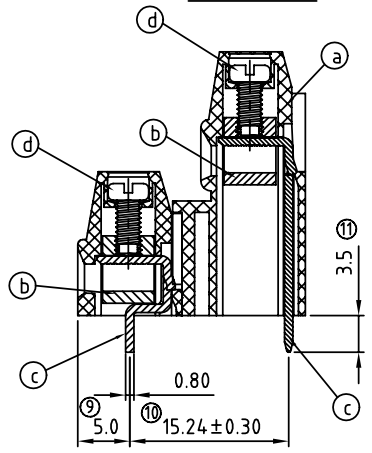
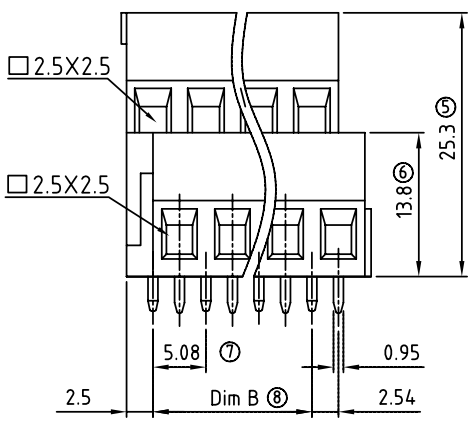
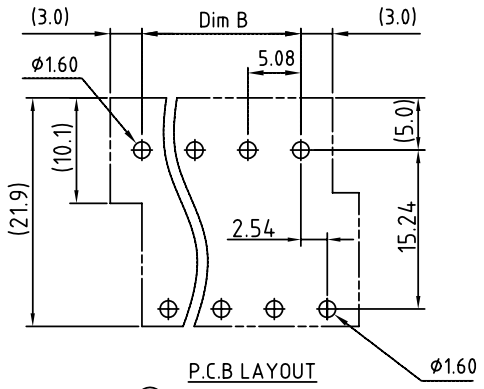
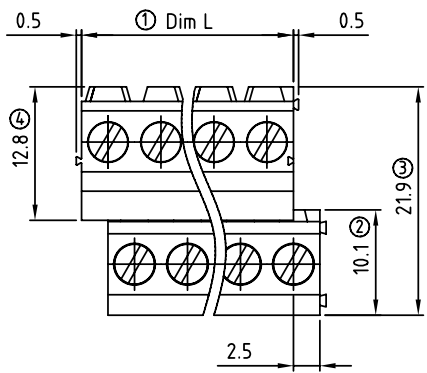
- Item a Terminal housing :Thermoplastic (UL 94V-0)
- Item b Clamp :Brass Ni plated
- Item c Wire guard solder pin :Brass ,Tin plated
- Item d Terminal screw :Steel Zinc plating"-slot type

Electrical

- Voltage rating: 300VAC
- Current rating: 20A
- Wire range:
- Solid wire(AWG): 12-22
- Stranded wire(AWG): 12-22
- Torque(Lb-In): 3.5
- Screw: M2.5
- Wire strip length: 6-7mm
- Withstanding Voltage: 1.6KV
- Operating temperature: -40°C to +115°C
- Soldering temperature: 250°C±10°C/5 Sec
- Safety Approval: 

△ YL xx 6 1 x 0 xxxx G

	COLOR	0000 @ logo	RoHS pb<40 , 000ppm
04 2x2 CONTACTS	0: BLACK	000A ANYTEK logo	
06 2x3 CONTACTS	5: GREEN	(Steel screw plating Cr ³⁺)	
... ..	6: BLUE	Any special item by	
48 2x24 CONTACTS	8: GREY	customer request,	
64 2x32 CONTACTS		please contact sales	
		department.	



Poles	2x2	2x3	2x4	2x5	2x6	2x7	2x8	2x9	2x10	2x11	2x12	2x13
Dim L	10.16	15.24	20.32	25.40	30.48	35.56	40.64	45.72	50.80	55.88	60.96	66.04
Dim B	5.08	10.16	15.24	20.32	25.40	30.48	35.56	40.64	45.72	50.80	55.88	60.96
TOL	±0.20					±0.30					±0.35	
Poles	2x14	2x15	2x16	2x17	2x18	2x19	2x20	2x21	2x22	2x23	2x24	
Dim L	71.12	76.20	81.28	86.36	91.44	96.52	101.60	106.68	111.76	116.84	121.92	
Dim B	66.04	71.12	76.20	81.28	86.36	91.44	96.52	101.60	106.68	111.76	116.84	
TOL	±0.35					±0.40						

ANYTEK				CUSTOMER COPY															
ALL RIGHTS RESERVED. REPRODUCTION OR ISSUE TO THIRD PARTIES IN ANY FORM WHATSOEVER IS NOT PERMITTED WITHOUT WRITTEN AUTHORITY FROM THE PROPRIETOR. PROPERTY OF ANYTEK TECHNOLOGY CO., LTD																			
TITLE	YL-5.08mm Series "- " Right																		
PART NO.	YLxx61x00000G			DWG NO.	8YL0102														
APPROVED	CHECKED	DESIGNED	DRAWN	CUST NO.	Tolerance														
		Jacke 2009.03.25	Jacke 2009.03.25		<table border="0"> <tr> <td>UNIT: mm</td> <td>X.</td> <td>±0.50</td> </tr> <tr> <td>SCALE: NONE</td> <td>X.X</td> <td>±0.30</td> </tr> <tr> <td></td> <td>X.XX</td> <td>±0.10</td> </tr> <tr> <td></td> <td>X°</td> <td>±1°</td> </tr> </table>			UNIT: mm	X.	±0.50	SCALE: NONE	X.X	±0.30		X.XX	±0.10		X°	±1°
UNIT: mm	X.	±0.50																	
SCALE: NONE	X.X	±0.30																	
	X.XX	±0.10																	
	X°	±1°																	
SHEET: 01/01				REV.: E															