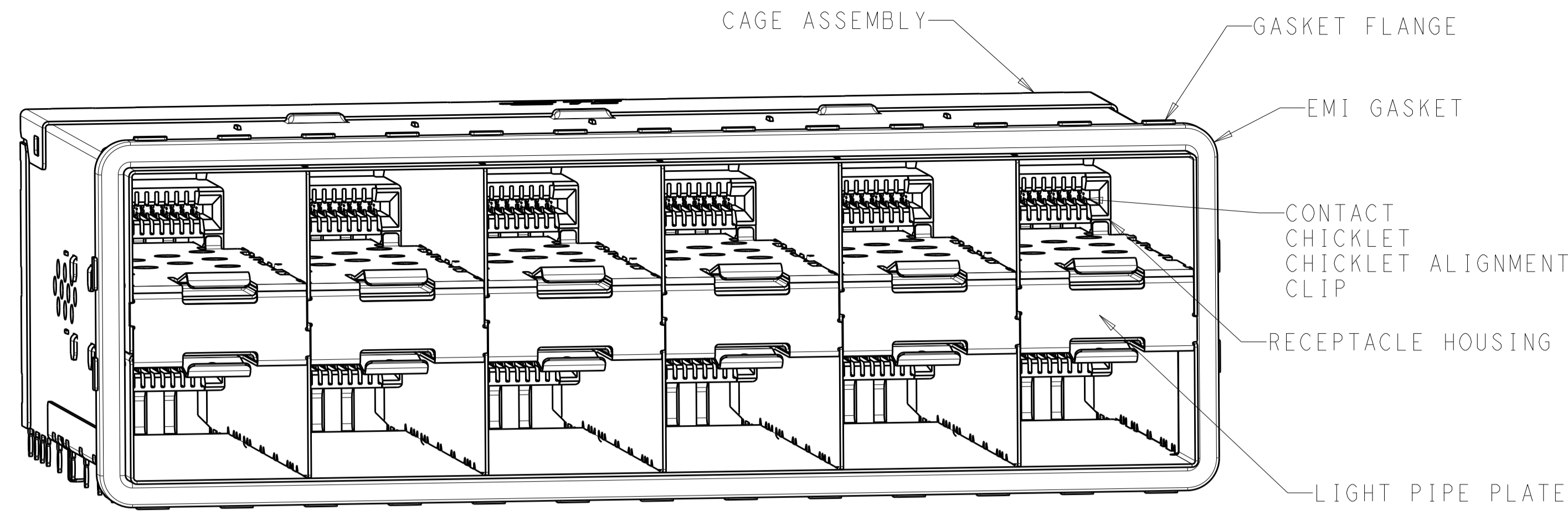


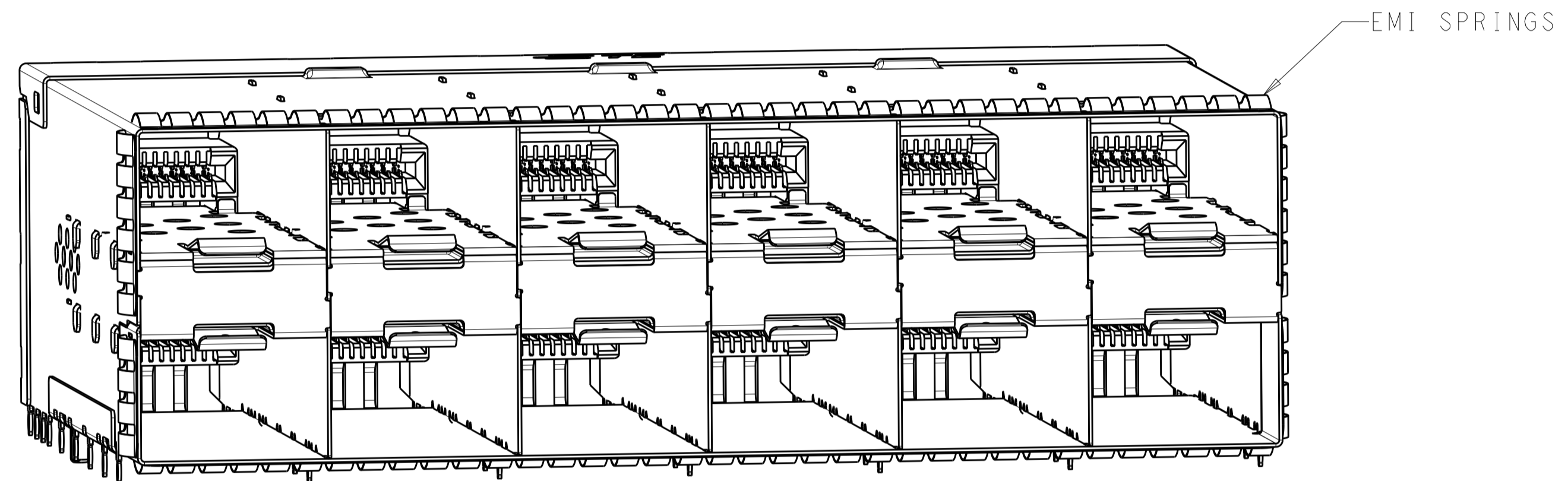
LOC	DIST	REVISIONS					
GP	00	P	LTN	DESCRIPTION	DATE	DWN	APVD
		A		PRODUCTION RELEASE	05JUN2019	JW	SH



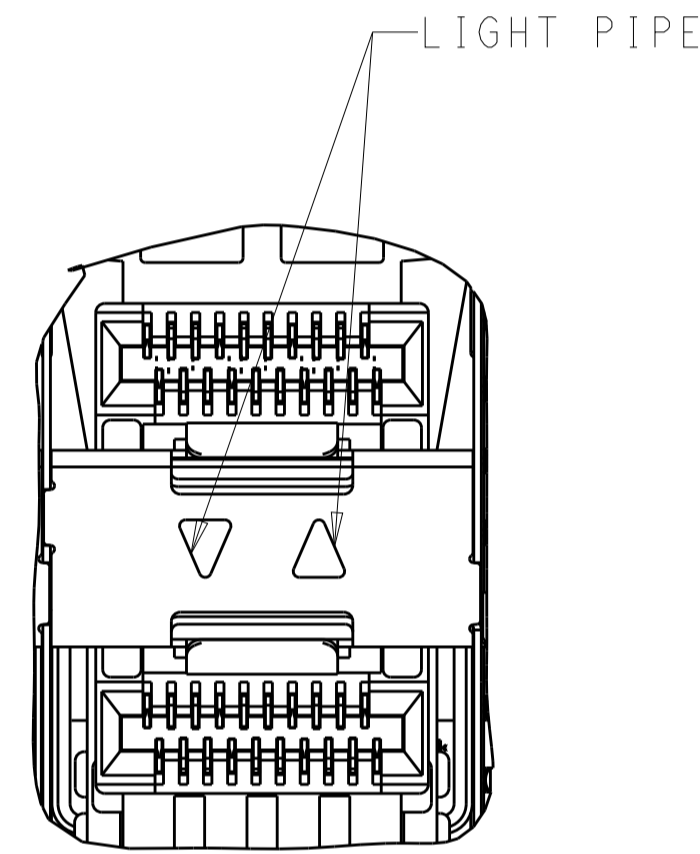
2347721-1  
SCALE 3:1

- MATERIALS:**  
 CAGE ASSEMBLY - NICKEL-SILVER ALLOY PER ASTM B 122  
 CONNECTOR HOUSING - LCP, BLACK, UL 94V-0 RATED  
 CHICKLET - LCP, BLACK, UL 94V-0 RATED  
 CHICKLET ALIGNMENT CLIP - LCP, BLACK, UL 94V-0 RATED  
 CONTACT - COPPER ALLOY  
 EMI GASKET - ELASTOMERIC  
 GASKET FLANGE - STAINLESS STEEL  
 EMI SPRINGS - PHOSPHOR BRONZE PER ASTM B 103,  
 0.8µm MIN TIN PER ASTM B 545  
 LIGHT PIPE - POLYCARBONATE  
 LIGHT PIPE PLATE - STAINLESS STEEL
- CONTACT FINISH:**  
 CONFORMS TO THE REQUIREMENTS OF PRODUCT SPECIFICATION 108-2481, BASED ON EIA/ECA-364-1000.01A, (CONTROLLED ENVIRONMENT APPLICATIONS) ON MATING INTERFACE, TIN ON NEEDLE EYE
- PCB MINIMUM THICKNESS = 1.5mm**

- △ FOR HOLE SIZE AND PLATINGS, SEE APPLICATION SPECIFICATION 114-13319
- △ LIGHT PIPE PAD LAYOUT IS FOR 0805 LOW PROFILE LED PACKAGE WITH A HEIGHT OF 0.8mm
- △ DIMENSIONS APPLY FOR EMI SPRINGS ONLY
- △ THE ENTIRE AREA OF THE CONNECTOR FOOTPRINT, INDICATED BY THE DASHED LINE, TO BE CONSIDERED THE KEEP-OUT AREA FOR COMPONENTS AND SIGNAL TRACES, TOP SIDE ONLY, TOP SIDE TRACES ALLOWED WITHIN CONNECTOR HOLE PATTERN

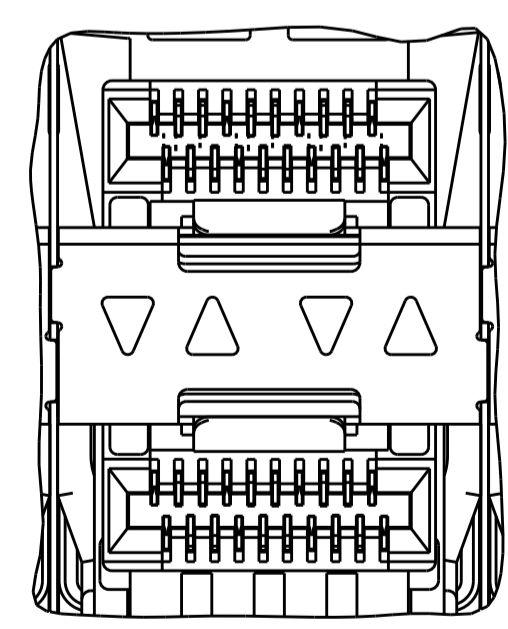


2347721-5  
SCALE 3:1

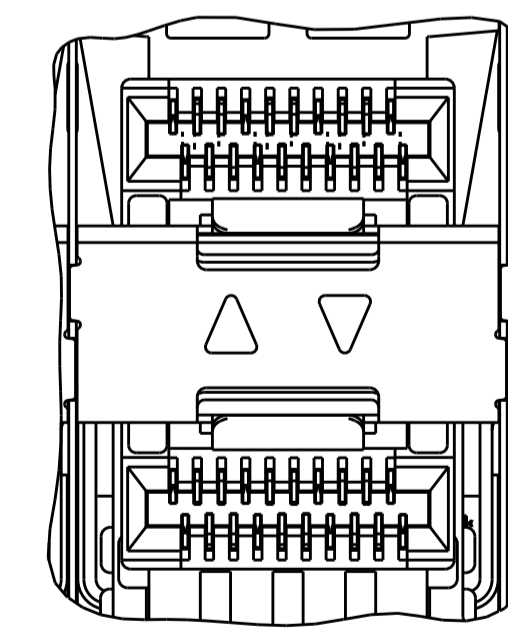


REVERSED INNER LIGHT PIPES  
2-2347721-1, 1-2347721-3  
SCALE 4:1

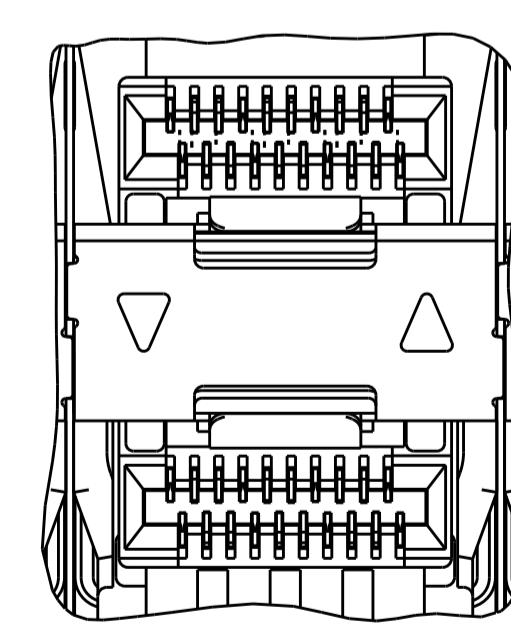
88	EMI SPRING AIRFLOW ENHANCE TYPE	NONE	3-2347721-1
90.75	EMI GASKET AIRFLOW ENHANCE TYPE	NONE	3-2347721-0
88	EMI SPRINGS	REVERSED INNER	2-2347721-1
		REVERSED OUTER	2-2347721-0
		CENTER/REVERSED OUTER	1-2347721-9
90.75	EMI GASKET	REVERSED OUTER	1-2347721-8
		CENTER/REVERSED OUTER	1-2347721-7
88	EMI SPRINGS WITH NICKEL PLATING ONLY	REVERSED INNER	1-2347721-3
		OUTER	1-2347721-2
		INNER	1-2347721-1
		INNER/OUTER	1-2347721-0
88	EMI SPRINGS	NONE	2347721-9
		OUTER	2347721-8
		INNER	2347721-7
		INNER/OUTER	2347721-6
		NONE	2347721-5
90.75	EMI GASKET	OUTER	2347721-4
		INNER	2347721-3
		INNER/OUTER	2347721-2
		NONE	2347721-1
(E)	CAGE TYPE	LIGHT PIPE CONFIGURATION	PART NUMBER



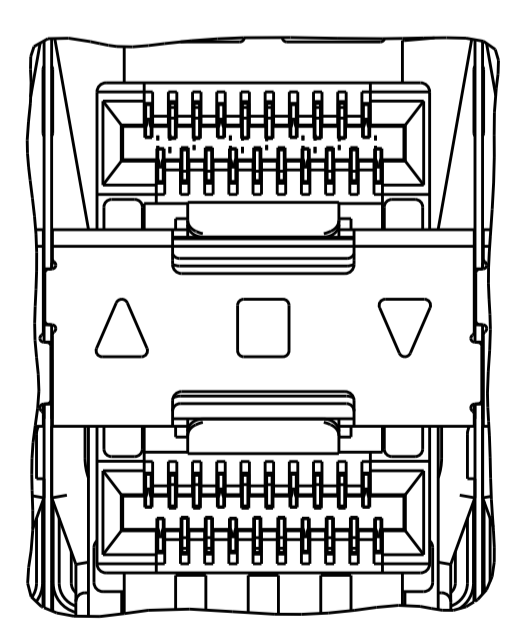
INNER/OUTER LIGHT PIPES  
2347721-2, 2347721-6  
SCALE 4:1



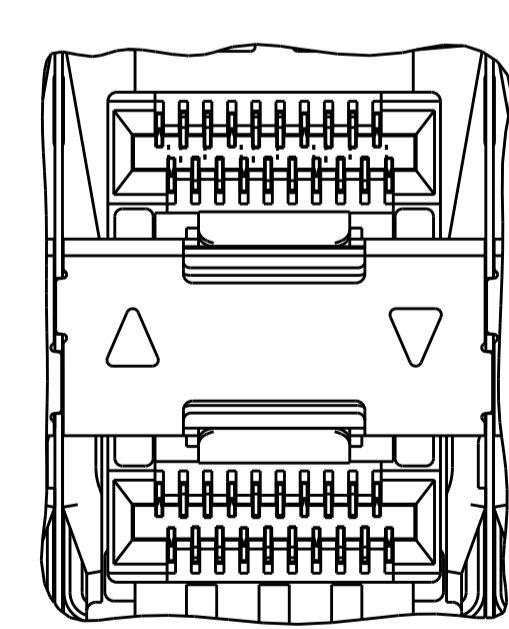
INNER LIGHT PIPES  
2347721-3, 2347721-7  
SCALE 4:1



OUTER LIGHT PIPES  
2347721-4, 2347721-8  
SCALE 4:1



CENTER/REVERSED OUTER  
1-2347721-7, 1-2347721-9  
SCALE 4:1



REVERSED OUTER  
1-2347721-8, 2-2347721-0  
SCALE 4:1

THIS DRAWING IS A CONTROLLED DOCUMENT.

DIMENSIONS: mm

TOLERANCES UNLESS OTHERWISE SPECIFIED:

0 PLC	±0.25
1 PLC	±0.25
2 PLC	±0.25
3 PLC	±0.25
4 PLC	±0.25
ANGLES	±°
FINISH	±µm

MATERIAL: SEE NOTES

FINISH: SEE NOTES

CUSTOMER DRAWING

DWN: J. WANG 26FEB2019  
CHK: S. HAN 26FEB2019  
APVD: S. HAN 26FEB2019

PRODUCT SPEC: 108-2481  
APPLICATION SPEC: 114-13319

NAME: RECEPTACLE ASSEMBLY, 2X6, STACKED, SFP56

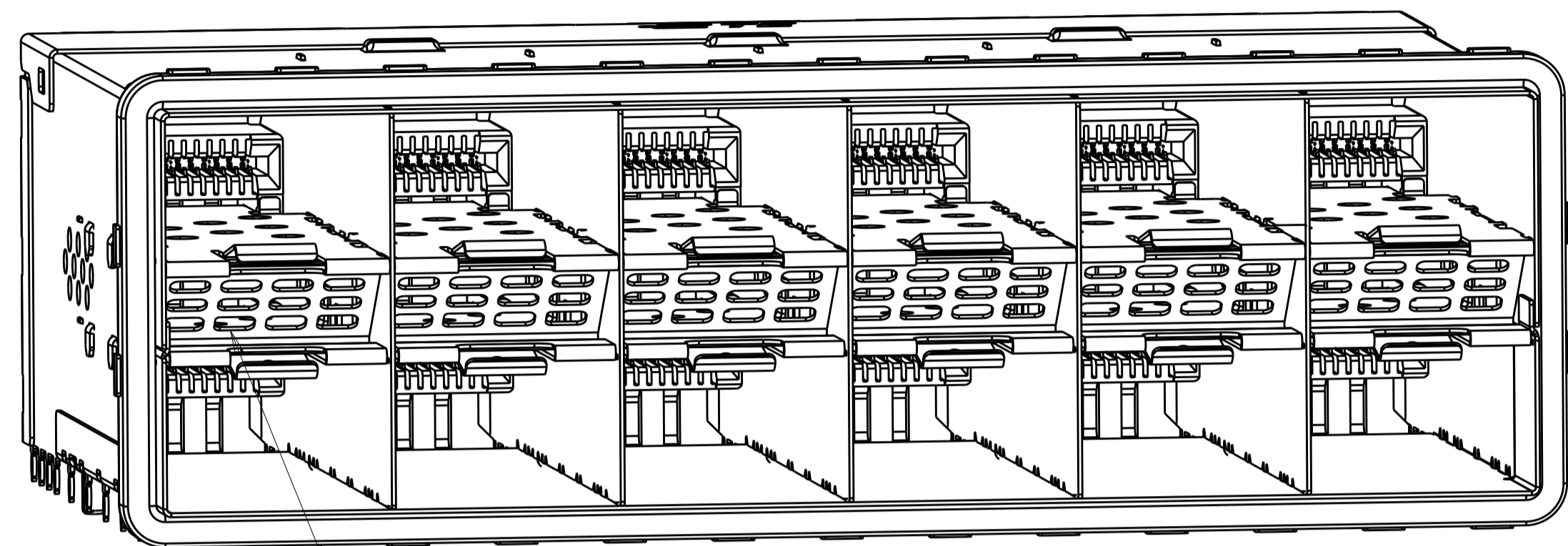
SIZE: A1  
CAGE CODE: 00779  
DRAWING NO: 2347721

RESTRICTED TO: A

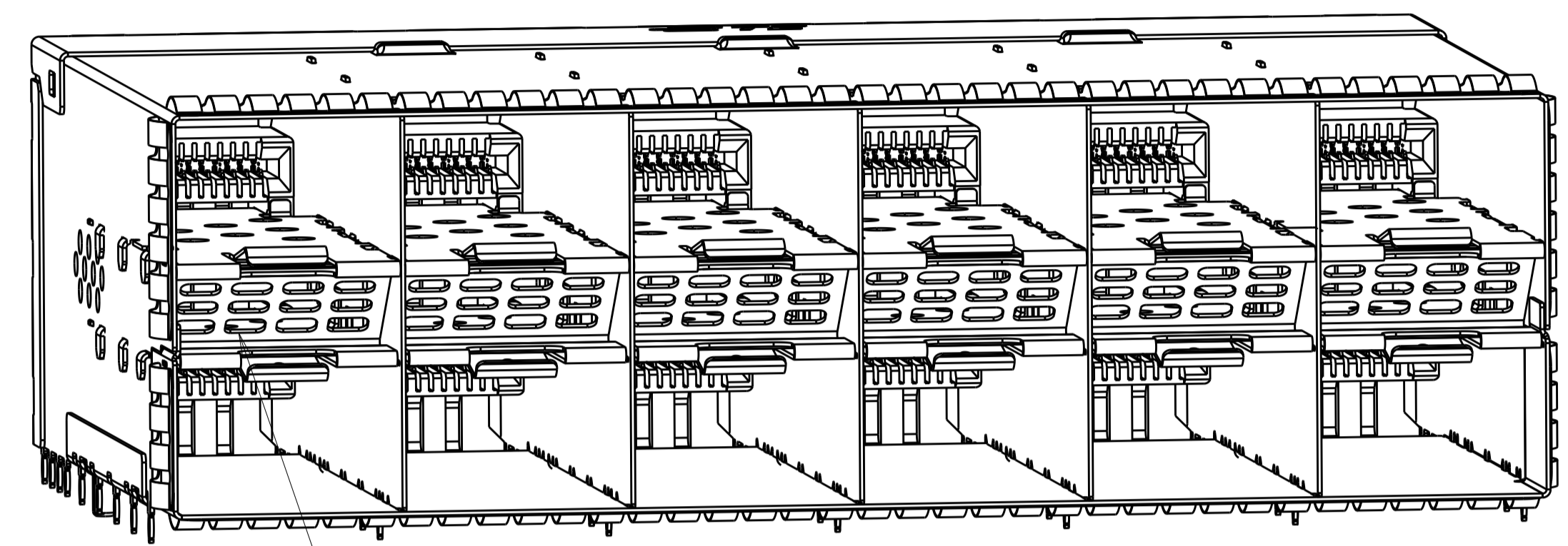
SCALE: 4:1 SHEET 1 OF 6 REV A

LOC		DIST		REVISIONS			
GP	00	P	LYR	DESCRIPTION	DATE	DMN	APVD
		-		SEE SHEET 1			

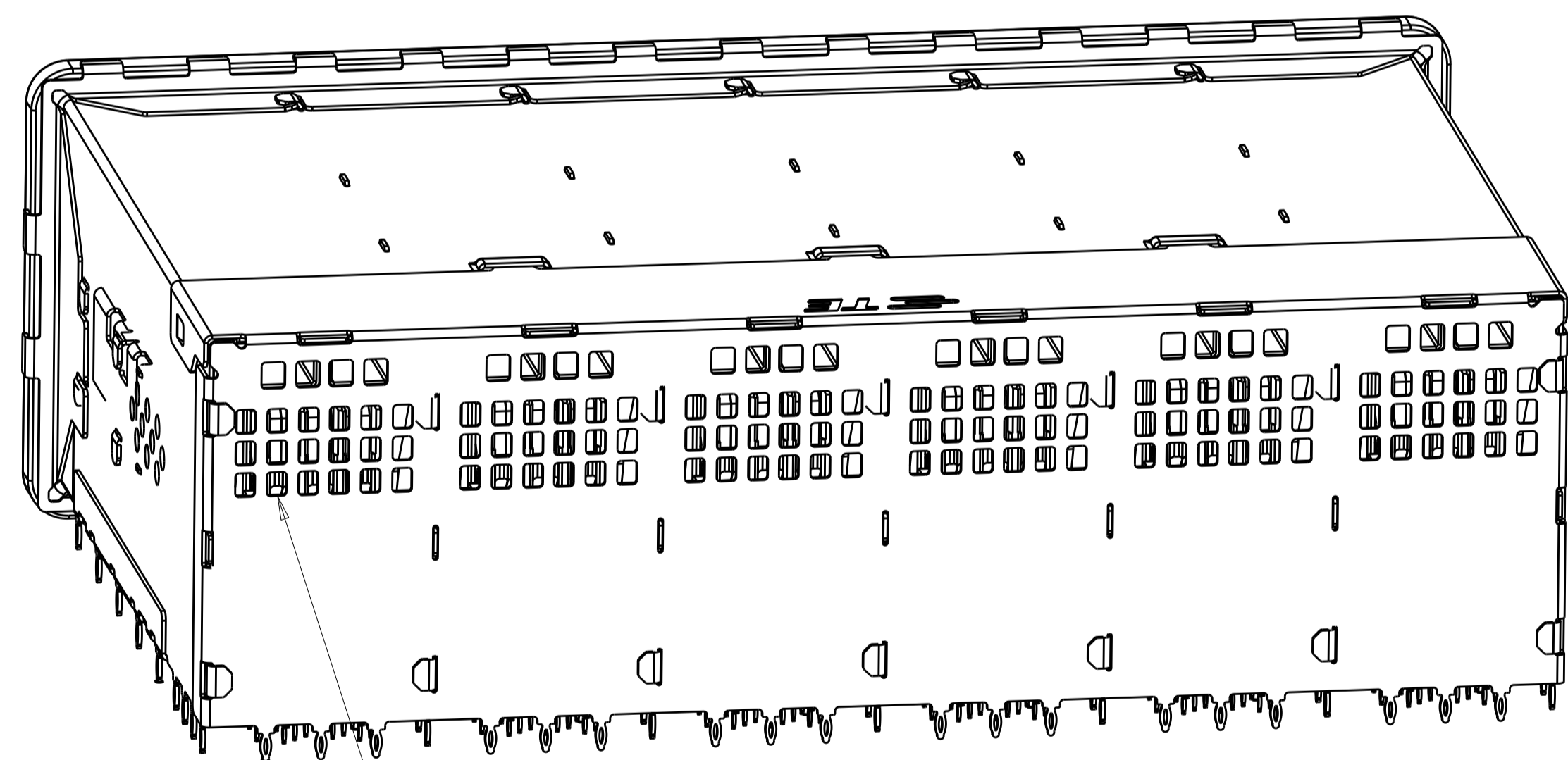
# AIRFOLW ENHANCE TYPE



AIR VENTS

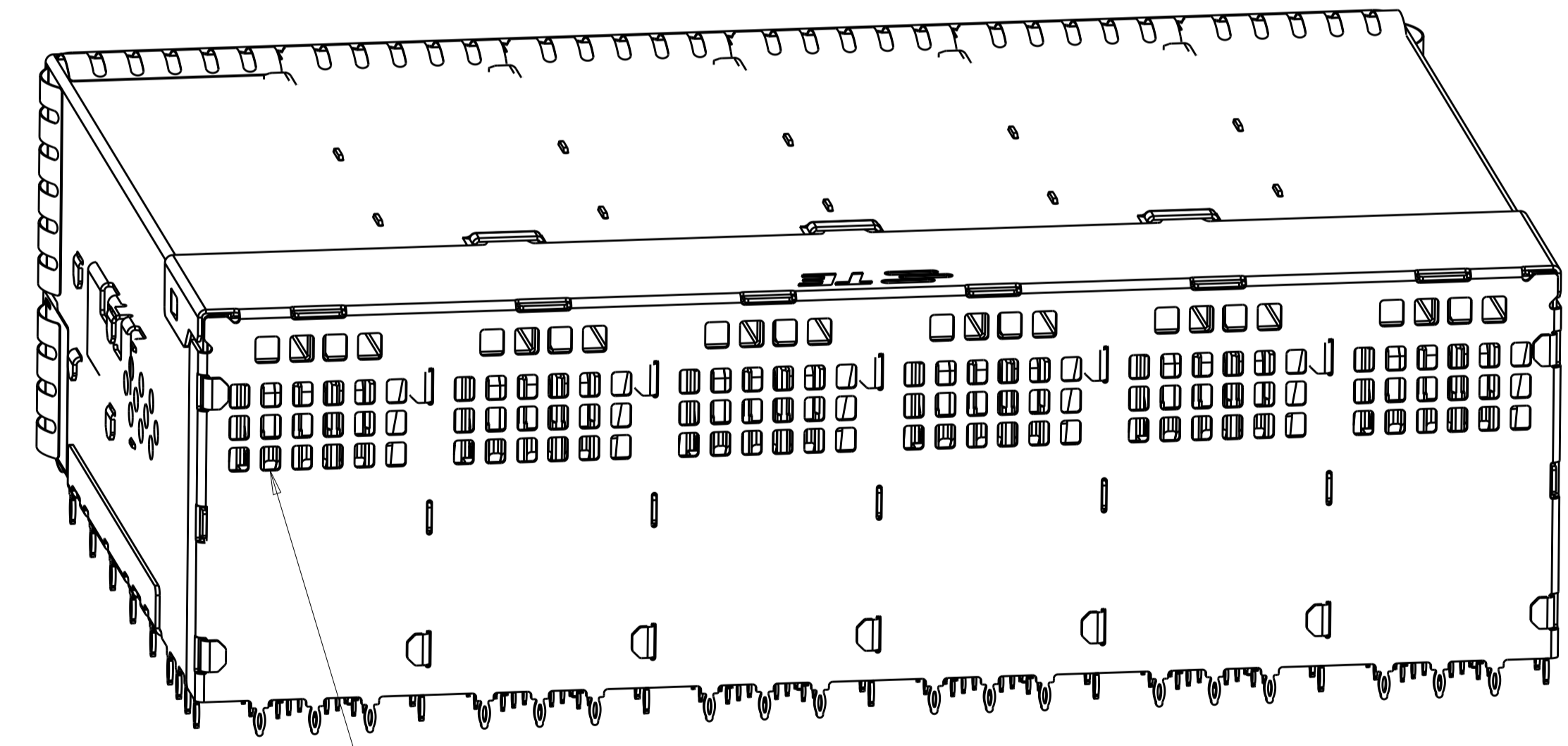


AIR VENTS



AIR VENTS

3-2347721-0  
EMI GASKET TYPE

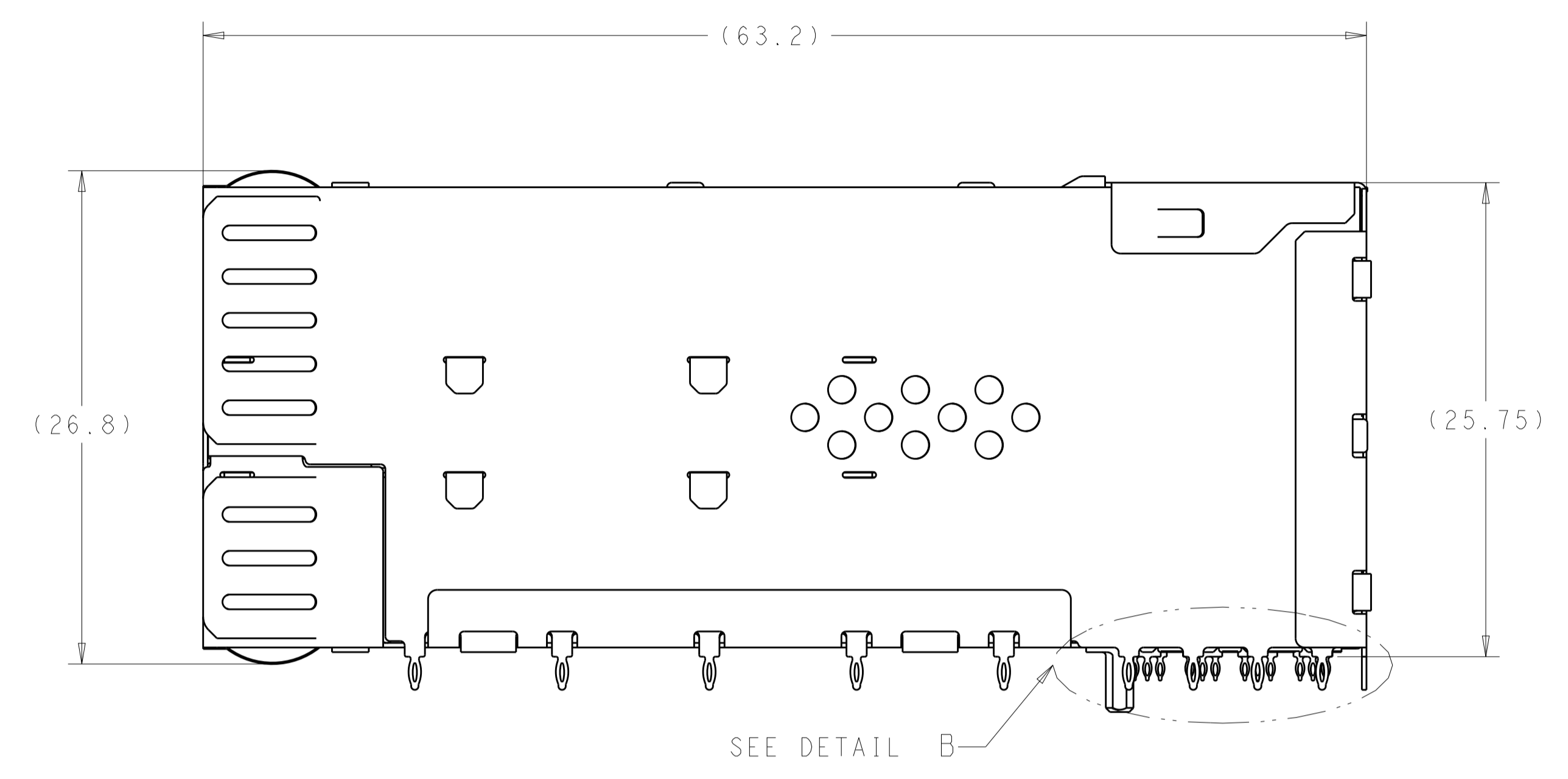
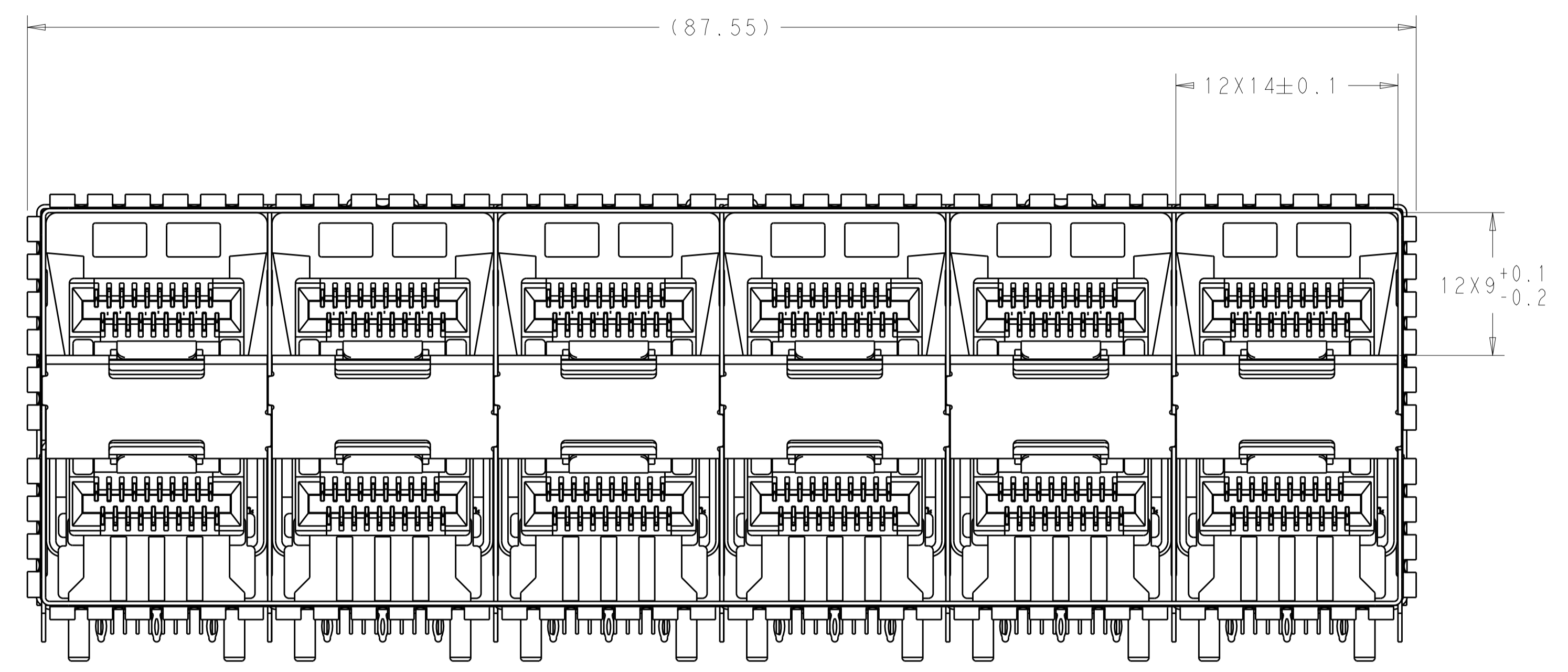


AIR VENTS

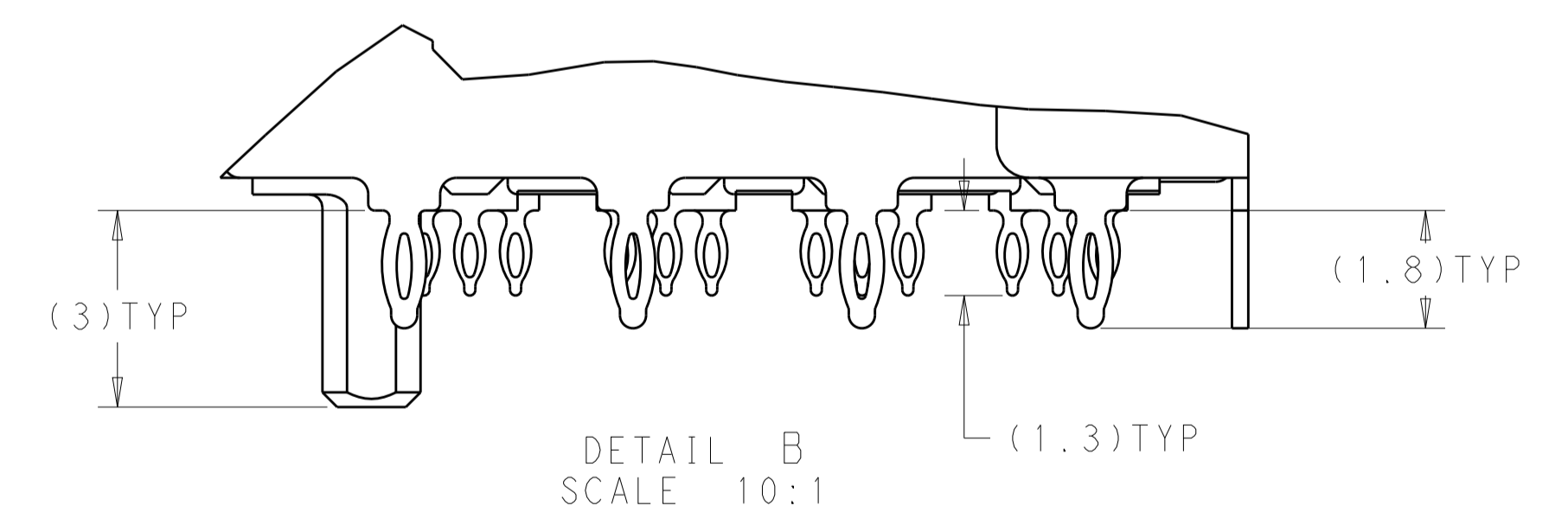
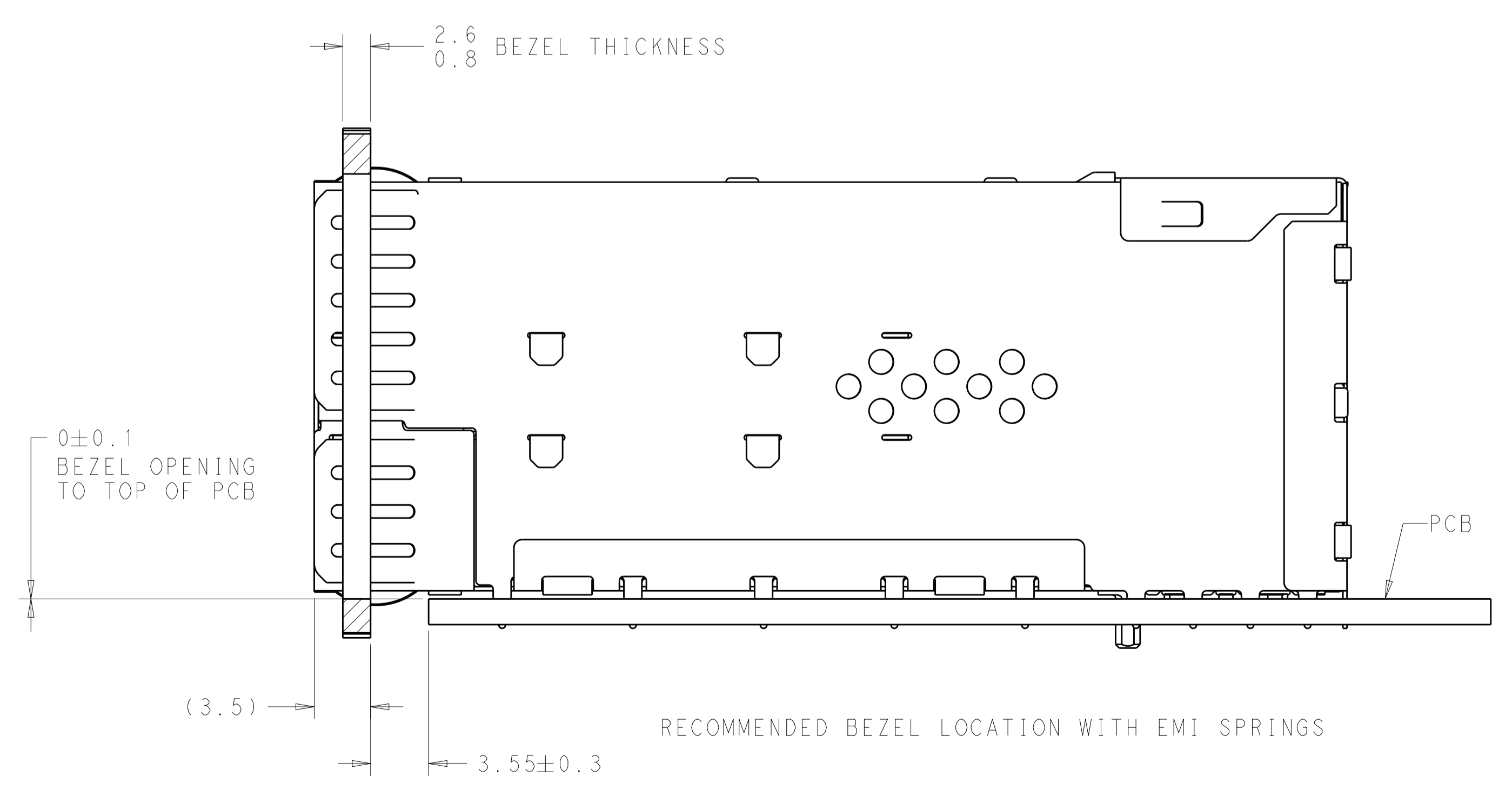
3-2347721-1  
EMI SPRING TYPE

THIS DRAWING IS A CONTROLLED DOCUMENT.		DMN J. WANG 26FEB2019	TE Connectivity
DIMENSIONS: mm		CHK S. HAN 26FEB2019	
TOLERANCES UNLESS OTHERWISE SPECIFIED:		APVD S. HAN 26FEB2019	NAME RECEPTACLE ASSEMBLY, 2X6, STACKED, SFP56
0 PLC ±0.25	1 PLC ±0.25	PRODUCT SPEC 108-2481	SIZE A100779C=2347721
2 PLC ±0.25	3 PLC ±0.25	APPLICATION SPEC 114-13319	RESTRICTED TO
4 PLC ±	ANGLES ±°	WEIGHT	SCALE 1:1 SHEET 2 OF 6 REV A
MATERIAL SEE NOTES	FINISH SEE NOTES	CUSTOMER DRAWING	

LOC	DIST	REVISIONS			
GP	00	REV	DATE	BY	APPV
-	-	SEE SHEET 1	-	-	-

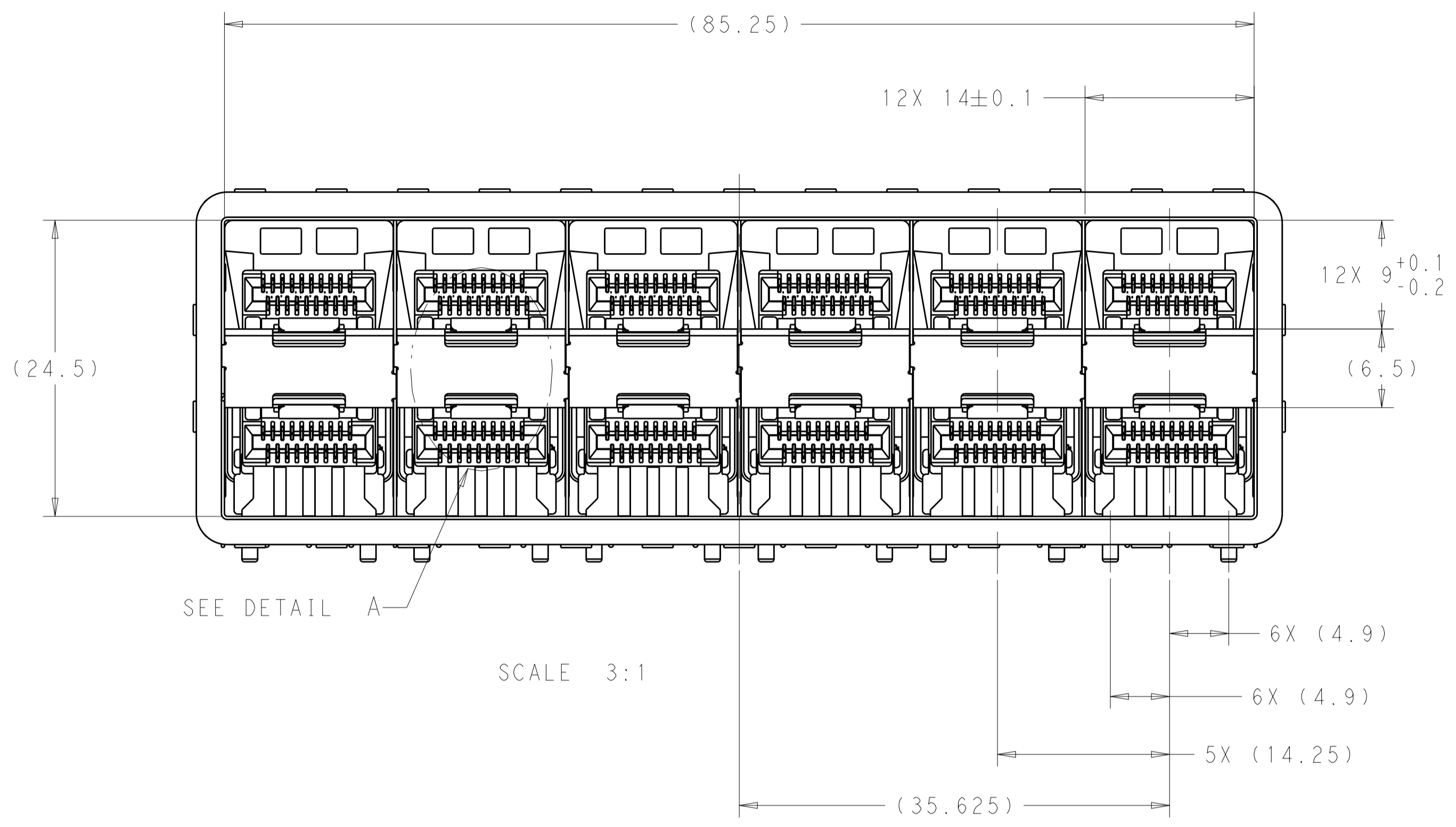


2347721-5 THRU 1-2347721-2, 1-2347721-9, 2-2347721-0, 2-2347721-1  
 EMI SPRINGS ONLY  
 SCALE 4:1

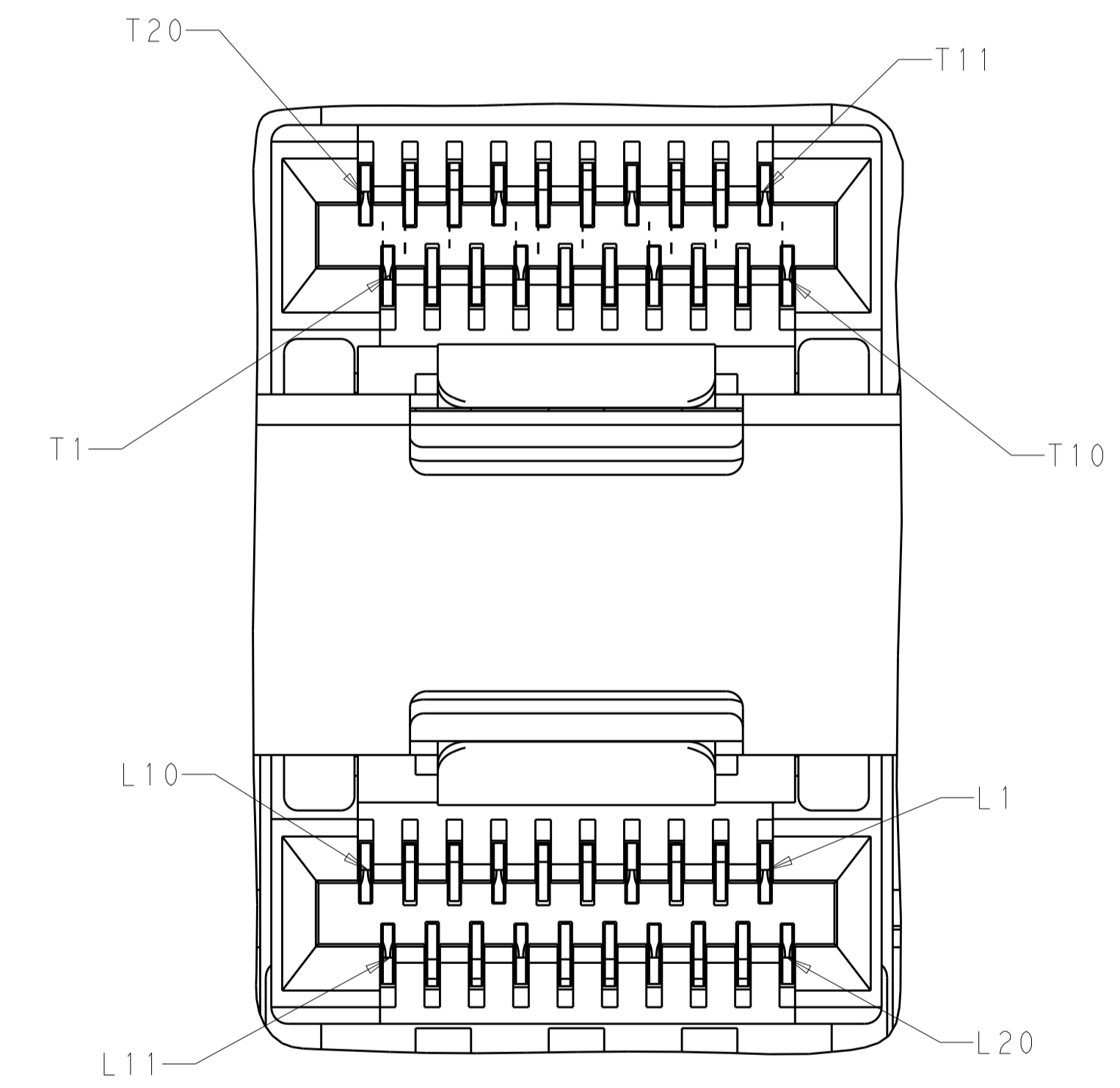
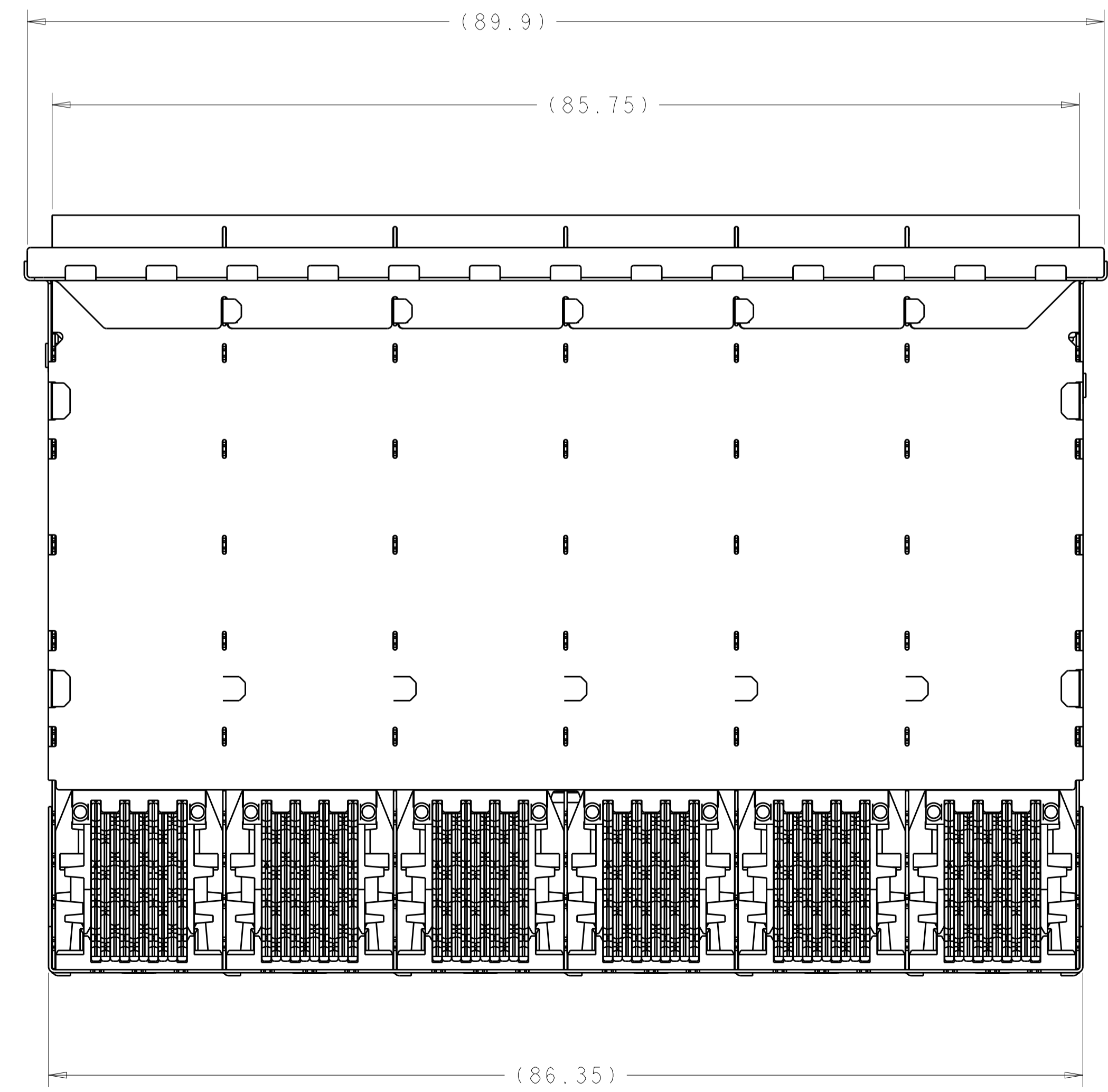
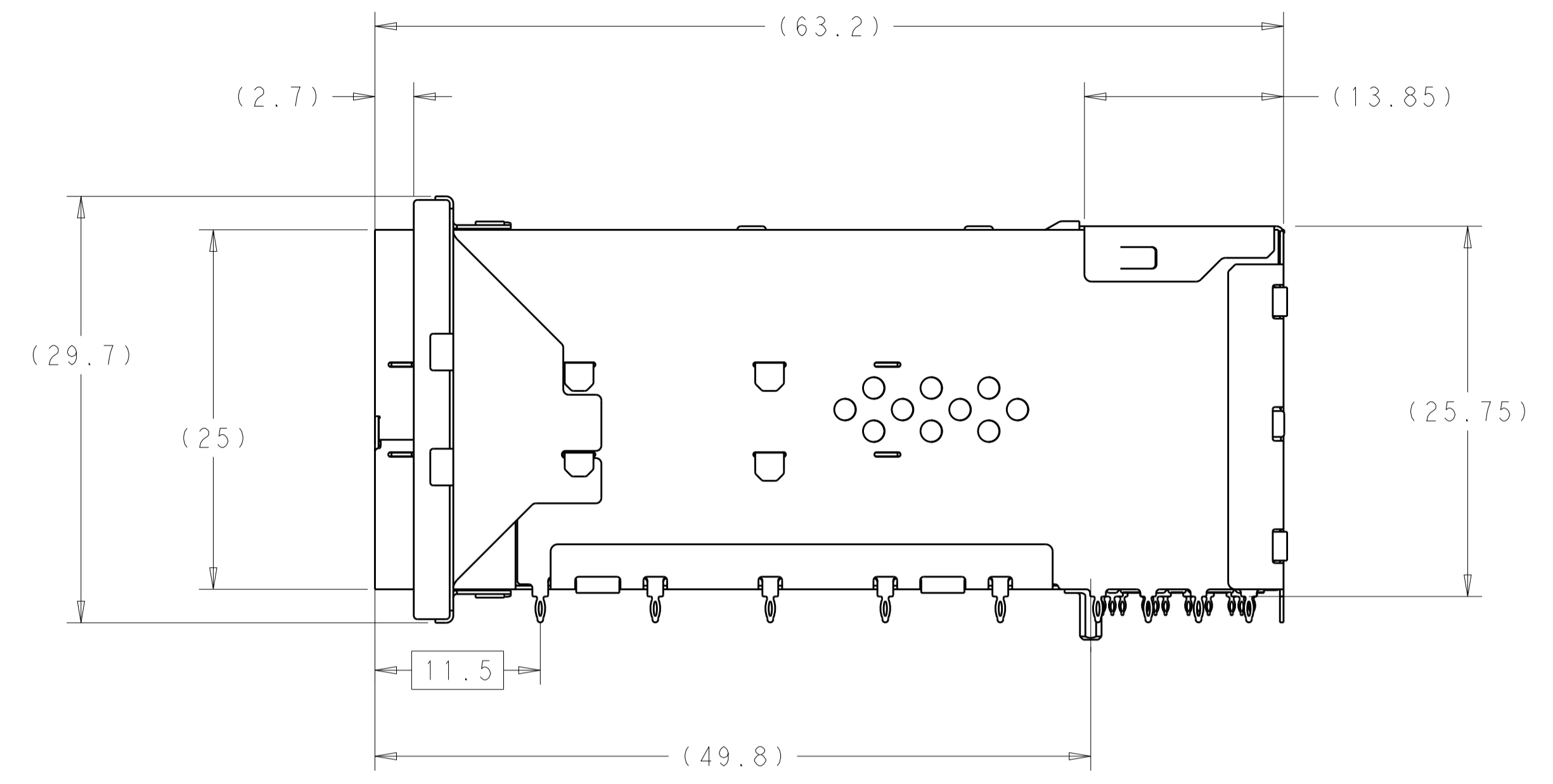


THIS DRAWING IS A CONTROLLED DOCUMENT.		DWN: J. WANG 26FEB2019	TE Connectivity
DIMENSIONS: mm		CHK: S. HAN 26FEB2019	
TOLERANCES UNLESS OTHERWISE SPECIFIED:		APVD: S. HAN 26FEB2019	NAME: RECEPTACLE ASSEMBLY, 2X6, STACKED, SFP56
0 PLC	±0.25	PRODUCT SPEC	SIZE: 108-2481
1 PLC	±0.25	APPLICATION SPEC	RESTRICTED TO
2 PLC	±0.25	114-13319	SCALE: 1:1
3 PLC	±0.25	WEIGHT: -	SHEET 3 OF 6
4 PLC	±0.25	CUSTOMER DRAWING	REV A
ANGLES	±4°		
MATERIAL: SEE NOTES	FINISH: SEE NOTES	A100779C=2347721	

LOC		DIST		REVISIONS			
GP	00	P	LTN	DESCRIPTION	DATE	DWN	APVD
		-		SEE SHEET 1	-	-	-



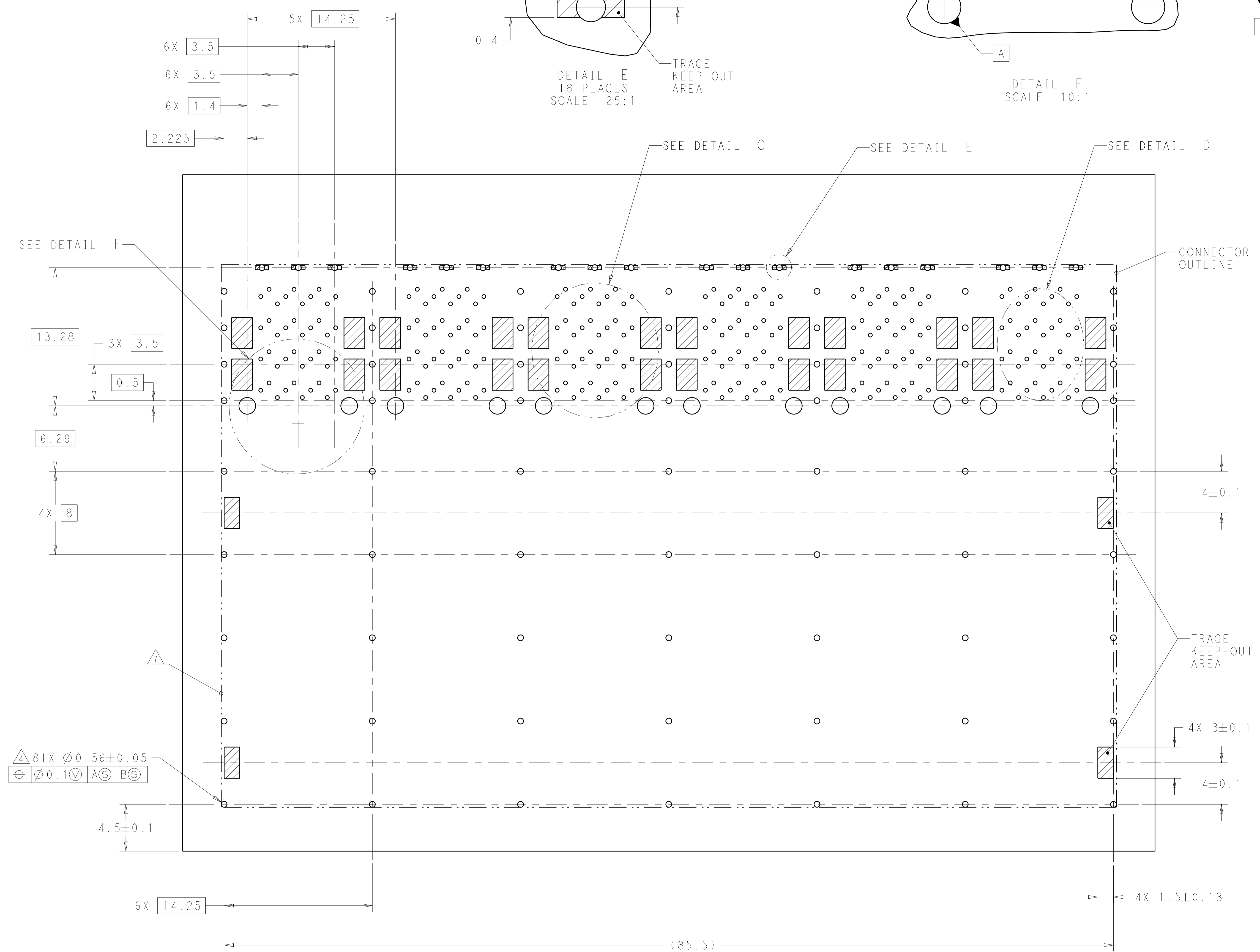
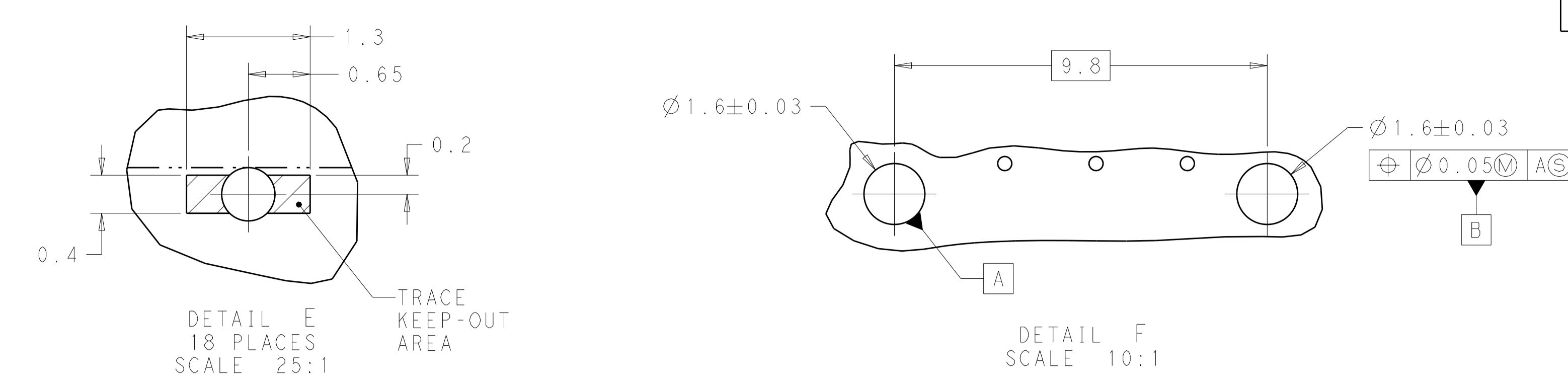
SCALE 3:1



DETAIL A  
 6X INDIVIDUALLY  
 SCALE 10:1

THIS DRAWING IS A CONTROLLED DOCUMENT.		DWN J. WANG 26FEB2019	TE Connectivity												
DIMENSIONS: mm		CHK S. HAN 26FEB2019													
TOLERANCES UNLESS OTHERWISE SPECIFIED:		APVD S. HAN 26FEB2019	NAME RECEPTACLE ASSEMBLY, 2X6, STACKED, SFP56												
<table border="1"> <tr> <td>0 PLC</td> <td><math>\pm 0.25</math></td> </tr> <tr> <td>1 PLC</td> <td><math>\pm 0.25</math></td> </tr> <tr> <td>2 PLC</td> <td><math>\pm 0.25</math></td> </tr> <tr> <td>3 PLC</td> <td><math>\pm 0.25</math></td> </tr> <tr> <td>4 PLC</td> <td><math>\pm 0.25</math></td> </tr> <tr> <td>ANGLES</td> <td><math>\pm 0.5^\circ</math></td> </tr> </table>		0 PLC	$\pm 0.25$	1 PLC	$\pm 0.25$	2 PLC	$\pm 0.25$	3 PLC	$\pm 0.25$	4 PLC	$\pm 0.25$	ANGLES	$\pm 0.5^\circ$	PRODUCT SPEC 108-2481	SIZE A1
0 PLC	$\pm 0.25$														
1 PLC	$\pm 0.25$														
2 PLC	$\pm 0.25$														
3 PLC	$\pm 0.25$														
4 PLC	$\pm 0.25$														
ANGLES	$\pm 0.5^\circ$														
MATERIAL SEE NOTES		APPLICATION SPEC 114-13319	CAGE CODE C=2347721												
FINISH SEE NOTES		RESTRICTED TO CUSTOMER DRAWING	SCALE 4:1 SHEET 4 OF 6 REV A												

LOC	DIST	REVISIONS			
GP	00	REV	DATE	BY	APPV
		1	SEE SHEET 1		

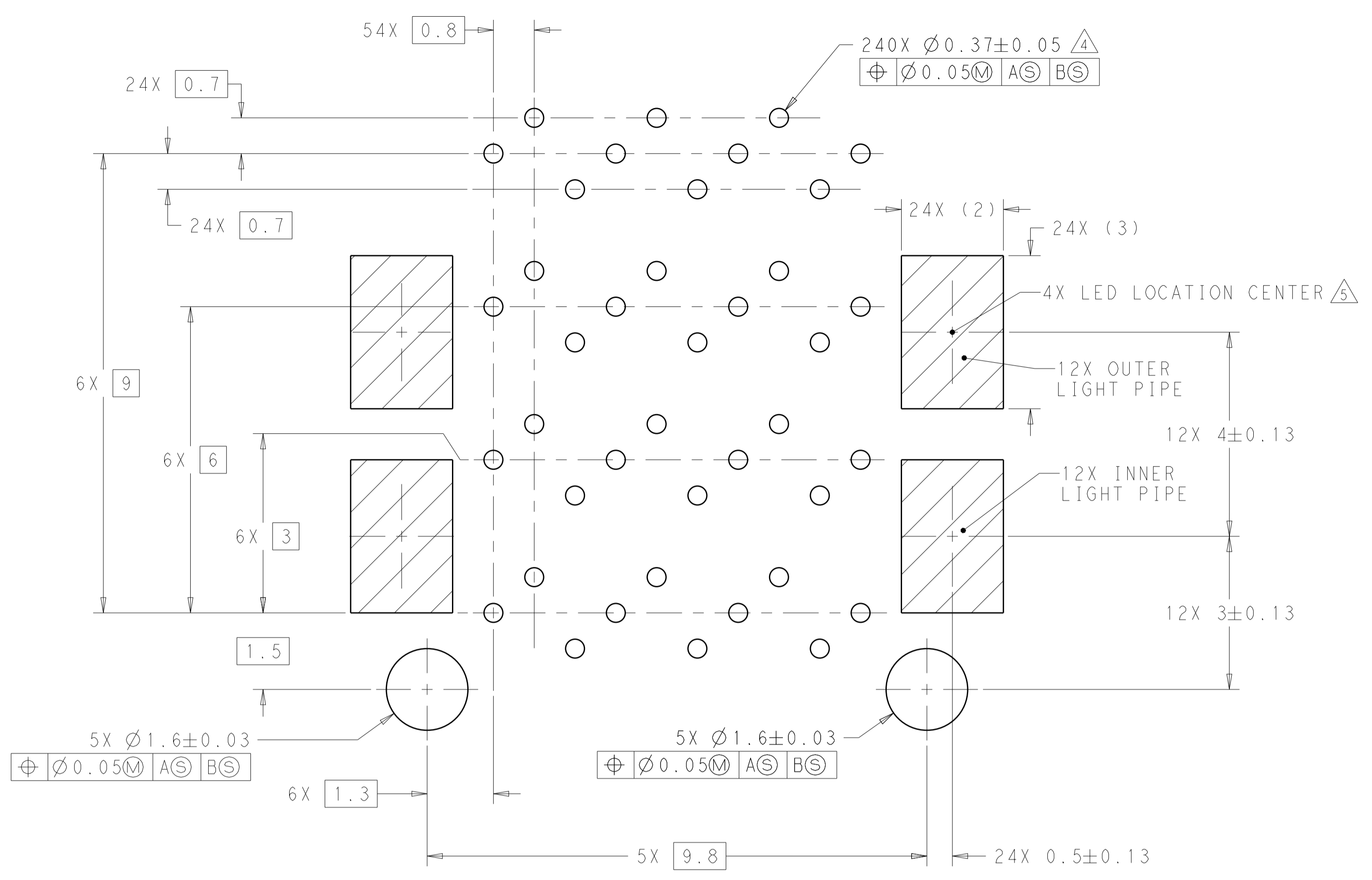


4 81X Ø0.56±0.05  
 Ø0.1(M) A(S) B(S)

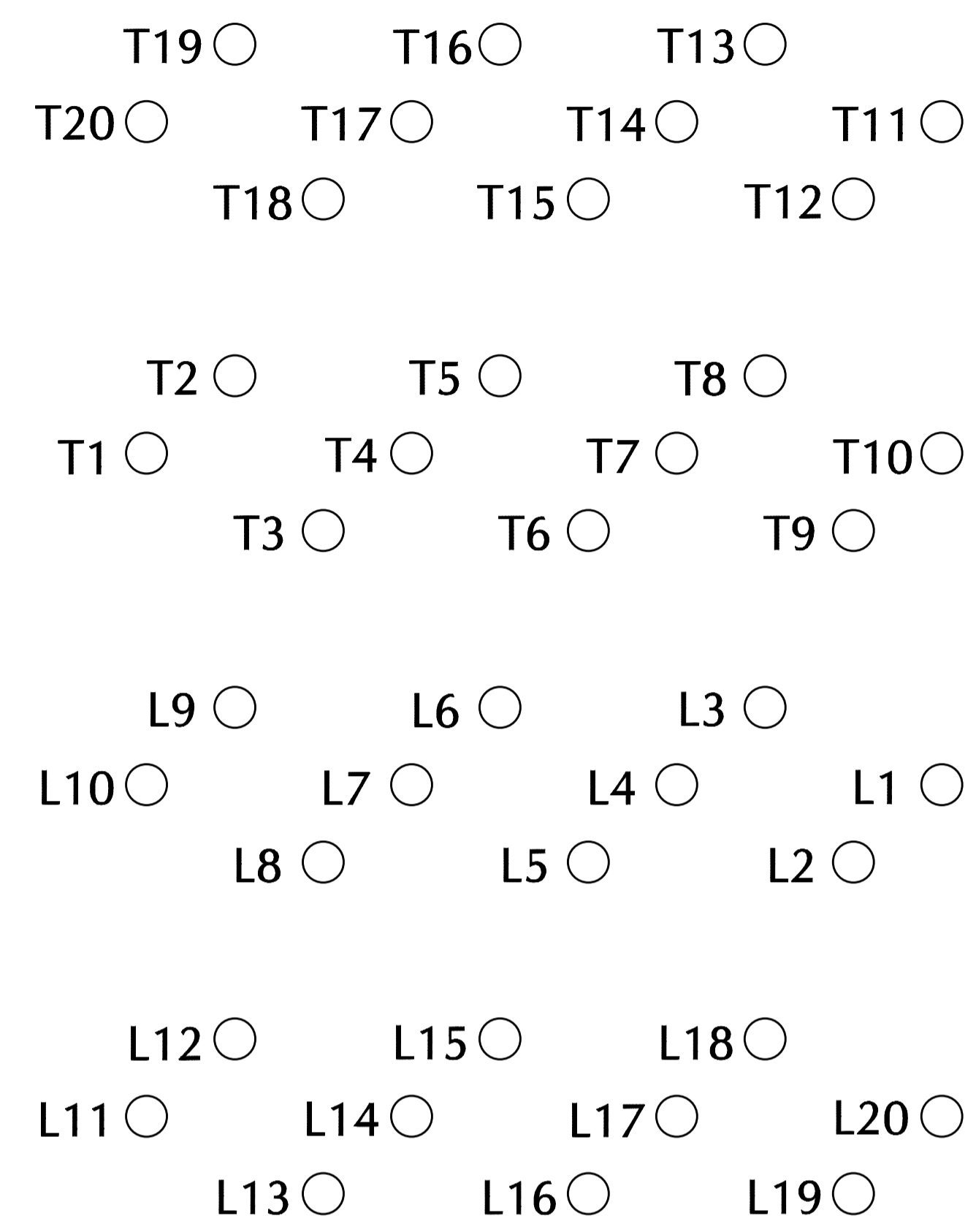
RECOMMENDED PCB LAYOUT  
 SCALE 5:1

THIS DRAWING IS A CONTROLLED DOCUMENT.		DWN: J. WANG 26FEB2019	TE Connectivity
DIMENSIONS: mm		CHK: S. HAN 26FEB2019	
TOLERANCES UNLESS OTHERWISE SPECIFIED:		APVD: S. HAN 26FEB2019	NAME: RECEPTACLE ASSEMBLY, 2X6, STACKED, SFP56
0 PLC ±0.25 1 PLC ±0.25 2 PLC ±0.25 3 PLC ±0.25 4 PLC ±0.25 ANGLES ±°		PRODUCT SPEC: 108-2481	SIZE: A1
MATERIAL: SEE NOTES		APPLICATION SPEC: 114-13319	CAGE CODE: 2347721
FINISH: SEE NOTES		WEIGHT: -	SCALE: 4:1
CUSTOMER DRAWING		RESTRICTED TO: -	SHEET 5 OF 6

LOC	DIST	REVISIONS			
GP	00	REV	DATE	BY	APPV
		1	SEE SHEET 1		

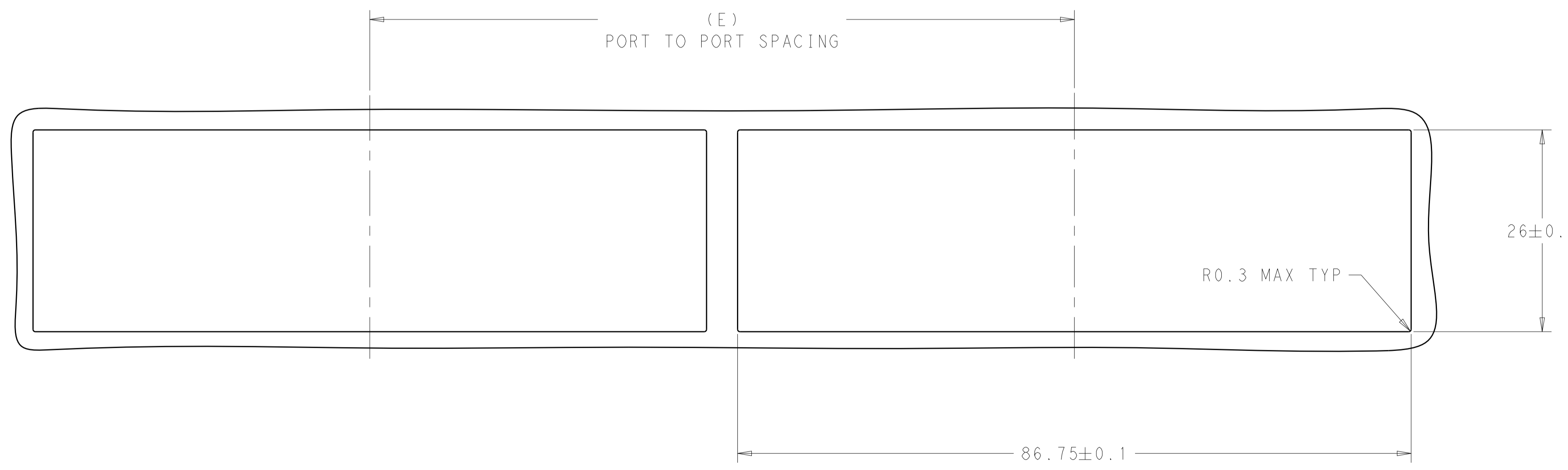


DETAIL C  
 RECOMMENDED PIN AND LIGHT PIPE LAYOUT  
 SCALE 15:1

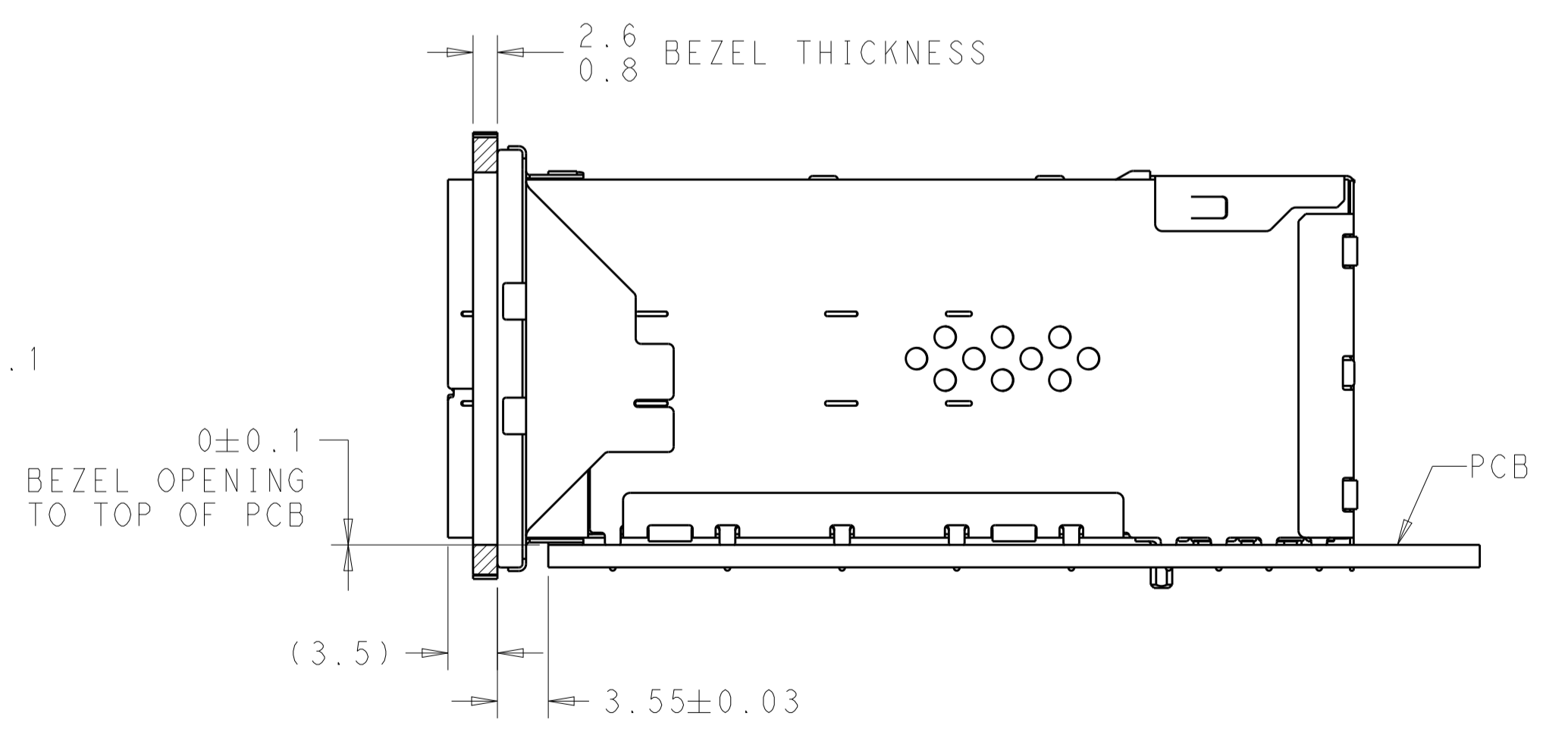


DETAIL D  
 PIN MAP  
 6 PLACES  
 SCALE 20:1

PIN MAP LEGEND	
PIN NUMBER	FUNCTION
L1/T1	VEET
L2/T2	TX-FAULT
L3/T3	TX-DISABLE
L4/T4	SDA
L5/T5	SCL
L6/T6	MOD_ABS
L7/T7	RSO
L8/T8	RX_LOS
L9/T9	RS1
L10/T10	VEER
L11/T11	VEER
L12/T12	RD-
L13/T13	RD+
L14/T14	VEER
L15/T15	VCCR
L16/T16	VCCT
L17/T17	VEET
L18/T18	TD+
L19/T19	TD-
L20/T20	VEET



RECOMMENDED BEZEL CUT-OUT DETAIL  
 SCALE 5:2



RECOMMENDED BEZEL LOCATION WITH EMI GASKET  
 SCALE 5:2

THIS DRAWING IS A CONTROLLED DOCUMENT.		OWN: J. WANG 26FEB2019	TE Connectivity
DIMENSIONS: mm		CHK: S. HAN 26FEB2019	
TOLERANCES UNLESS OTHERWISE SPECIFIED:		APVD: S. HAN 26FEB2019	NAME: RECEPTACLE ASSEMBLY, 2X6, STACKED, SFP56
0 PLC ±0.25 1 PLC ±0.25 2 PLC ±0.25 3 PLC ±0.25 4 PLC ±0.25 ANGLES ±°		PRODUCT SPEC: 108-2481	
MATERIAL: SEE NOTES		FINISH: SEE NOTES	APPLICATION SPEC: 114-13319
		WEIGHT: -	SIZE: A100779
		CUSTOMER DRAWING	SCALE: 4:1 SHEET 6 OF 6 REV A