

5

4

3

2

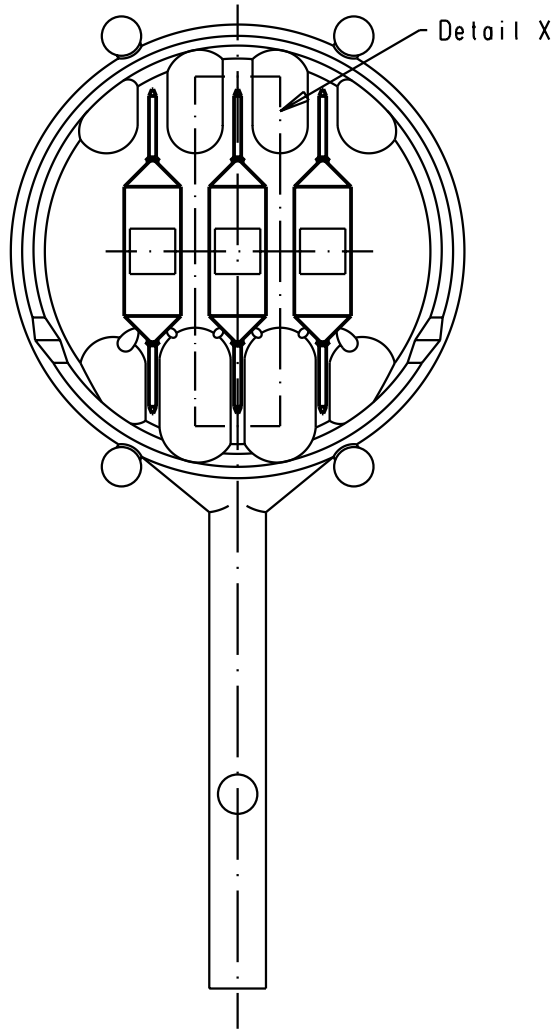
1

D

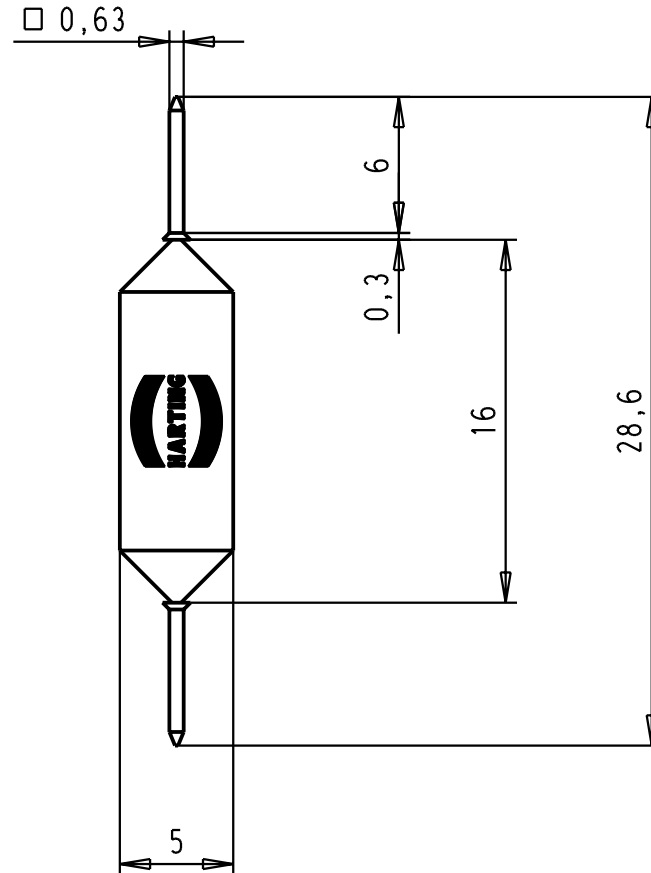
C

B



A



Detail X
3:1



Part number comprises 6 code pins attached together

				Dat.	Name	 All Dim. in mm Orig. Size DIN A 4	SEK 17 DIP connector with loss of contact	Maßstab/ Scale 1.5:1 3:1
			Detail.	25-APR-02	CV			
			Insp.					
			Stand.					
29778	25-APR-02	CV	HARTING EURL F-95972 Paris				TB 09180009901	Blatt/ Page 1 /
Mod.	Dat.	Name						