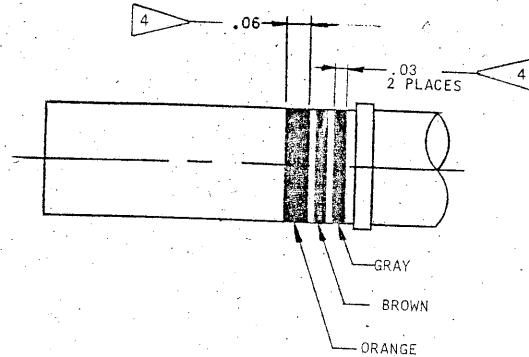


D

C

3

A



56084-7 REVISIONS

ZONE	LTR	E. R. 6840-16	DESCRIPTION	DATE	APPROVED
	A1				
	B		(MFG) REV NOTE 4; CHG PICT ECN: 57639-7	6-14-76 BOWKER	<i>T. L. ...</i>
	C		(MFG) ADDED NOTE 5 ECN: 58854-29	9/2/77 HAR MILLER	<i>T. L. ...</i>
	D		(MFG) REV. NOTES 3 & 4 ECN: 70191-2	4-18-79 HALL	<i>T. L. ...</i>

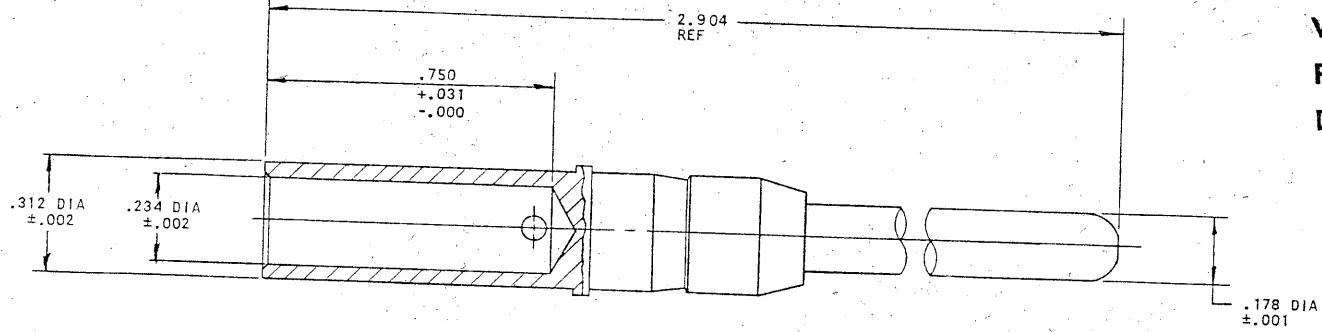
This Document approved for:

Contract No. _____

Work Order No. _____

P. O. No. _____

Date _____ Sig. _____



- MEETS THE REQUIREMENTS OF M39029/48.
- PERMANENTLY MARK 3 IDENTIFICATION BANDS (ALL AROUND) PER 9-7530 AFTER PLATING. BANDS SHALL BE AS NEAR SHOULDER AS PRACTICABLE AND COLORED AS INDICATED.
- PROCESS SPEC:
9-7530; SILVER PLATE 9-6800-27; PROTECTIVE TREATMENT 9-3264

- ALL DIMENSIONS ARE AFTER PLATING.
- MEAN SURFACE AREA 2.8628 SQ. IN.

NOTES:

MADE FROM 10-497102-6B

FIND NO.	QTY REQD	CODE IDENT	PART NUMBER	DESCRIPTION	NOTE REF
PARTS LIST					
UNLESS OTHERWISE SPECIFIED LINEAR DIMENSIONS ARE IN INCHES. TOLERANCES: .XX ± .010, .XX ± .03, X ± .1, ANGLES ± 2°, OTHER STANDARDS PER 9-3800 AND MIL-D-1000. NOTE REF			PREPARED BALBUENA 11-9-73	The Bendix Corporation Electrical Components Division Sidney, New York TITLE: CONTACT, PIN, ELECTRICAL CONNECTOR, SIZE GN, HC, SILVER PLATED	
MATERIAL SPEC			CHECKED <i>S. L. ...</i> 9-12-74		
PROCESS SPEC SEE NOTE 3			APPROVED <i>[Signature]</i> 11-12-73		
			APPROVED <i>[Signature]</i> 9-18-74		
10-473452/57 & OTHERS		10-473440/45		C 77820 10-497102-6	
NEXT ASSEMBLY				10-497102-6F SHEET	

USE OF THIS DOCUMENT IS UNLIMITED. DOCUMENTS REFERENCED HEREON CONTAIN LIMITED RIGHTS DATA.

IMAGED / Aug. 29 2003, 08:15 AM

105029871

B 10-497102-6