

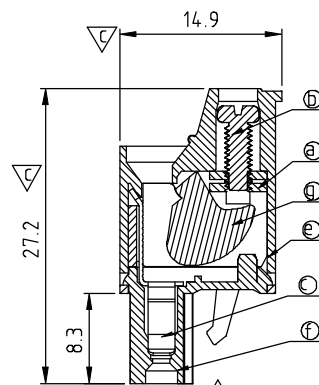
SIGN	DATE	DESCRIPTION	APPROVER
△	11/08'05	Wire guard structure Modified	Tony
△	02/07'06	Part No. changed	Tony
△	12/02'08	Flange screw changed from "-" to "+/-"	Tony
△	03/23'10	Add the 2p mark	Jacke
△	05/13'14	update the drawing	Chen Bo

Material

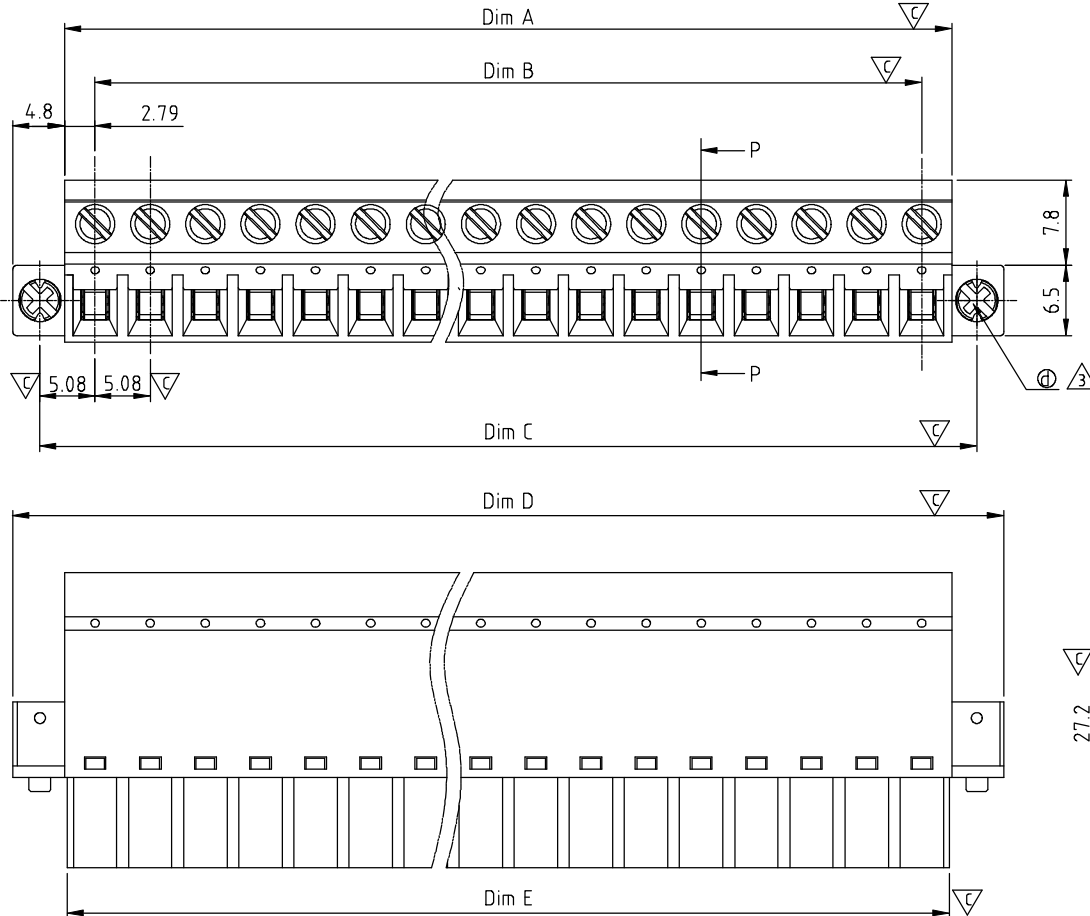
- Item a Clamp: Steel zinc plated.
- Item b Terminal screw: Steel Zinc plating "-" slot type
- Item c Female contact: PhBz, Tin plated
- Item d With flange screw: Steel zinc plated M2.5 "+/-" slot type
- Item e Terminal (Up body): Thermoplastic (UL94V-0)
- Item f Terminal (Down body): Thermoplastic (UL94V-0)
- Item g Clampage: Steel Zinc plated

Electrical cULus

- Voltage rating: 300VAC
- Current rating: 20A
- Wire range:
 - Solid wire(AWG): 12-22
 - Stranded wire(AWG): 12-22
- Torque: 3.5Lb-In
- Screw: M2.5
- Wire strip length: 6-7mm
- Withstanding Voltage: 1.6KV
- Operating temperature: -40°C to +115°C
- Safety approval: cULus
- Critical dimension: ∇



SECTION P-P



Dimension

Dim A	$N \times 5.08 + 0.50$
Dim B	$(N-1) \times 5.08$
Dim C	$(N-1) \times 5.08 + 10.16$
Dim D	$N \times 5.08 + 10.1$
Dim E	$N \times 5.08$

N=Number of poles

POLES	TOLERANCE
2P - 6P	-0.20/+0.20
7P - 12P	-0.25/+0.25
13P - 18P	-0.30/+0.30
19P - 24P	-0.40/+0.40

VM xx 5 5 x 3 xxxx G

- Solid Block
- 02 2 CONTACTS
- 03 3 CONTACTS
-
- 24 24 CONTACTS
- 0 Black (RAL9005)
- 2 Red (RAL3001/D)
- 3 Orange(RAL2011/P)
- 4 Yellow(RAL1018/A)
- 5 Green(RAL6018/T)
- 6 Blue (RAL5015/A)
- 8 Grey(RAL7035/D)
- 9 White(RAL1102)
- C Green(RAL6018/U)
- G RoHS compliant (lead<4%) In copper Alloy
- 0000:"@Logo (Standard)
- 000A:"ANYTEK"Logo
- 0091:"ANYTEK"Logo
- Any special item by customer request, please contact sales department.

ANYTEK

CUSTOMER COPY

ALL RIGHTS RESERVED. REPRODUCTION OR ISSUE TO THIRD PARTIES IN ANY FORM WHATSOEVER IS NOT PERMITTED WITHOUT WRITTEN AUTHORITY FROM THE PROPRIETOR. PROPERTY OF ANYTEK TECHNOLOGY CO., LTD

TITLE		VM 5.08mm Low Profile Type W/Flange Series			
PART NO.		VMxx55x3xxxxG		DWG NO.	8VM0301
APPROVED	CHECKED	DESIGNED	DRAWN	CUST NO.	
		Chen Bo 05/13'14	Chen Bo 05/13'14		
					Tolerance
					UNIT: mm
				SCALE: NONE	X.X ±0.30
					X.XX ±0.10
					X° ±1°
				SHEET: 01/01	REV.: F