

■ XLR Features

- Rugged design to withstand extreme field use.
- Resilient socket insulator which maximizes performance in humid conditions and minimizes vibration and electrical noise.
- Highly reliable machined contacts
- Quick disconnect latch lock
- Low reflectivity satin finish
- Interchangeable & intermateable with XLB2, XLA, XLG, XLB-PC, XLM

■ Applications

- Microphones
- Test Instruments
- Mixers
- D/C Converters
- Amplifiers
- TV Cameras
- Speakers
- VCRs
- Medical Instruments
- Tuners
- Equalizers

■ Standard Data

● Specifications (Detail p4)

Rated Current	5A-15A
Service Voltage	133VAC
Dielectric Withstanding Voltage	1400VAC
Insulation Resistance	5000MΩmin.at 500VDC
Contact Resistance	2A, 3, 4, : 5mΩMAX 5, 6, 6A, 7 : 10mΩMAX

● Materials (Finishes)

Contacts	Copper Alloy (Silver) (Gold contacts available)
Insulator Socket	Chloroprene
Pin	Nylon
Shell	Aluminum Alloy (Satin Nickel)
Barrel	Steel
Bushing	Chloroprene

■ How To Order

XLR-3-11C--****

● Series Prefix

● Contact Arrangements

2A, 3, 4, 5, 6, 6A, 7 (SEE PAGE 4)

● Shell Styles

- 11C — Female Plug
- 12C — Male Plug
- 13 — Female Round Flange Receptacle
- 14 — Male Round Flange Receptacle
- 31 — Female Flange Receptacle
- 32 — Male Flange Receptacle

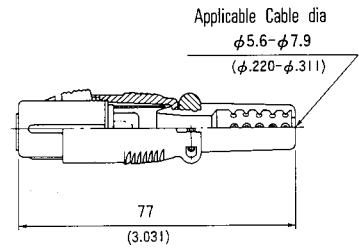
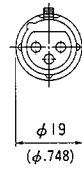
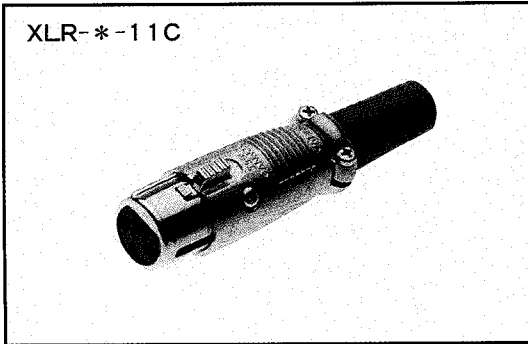
● Modifications

- F77 — Rectangular Small Flange (Receptacle 31 and 32)
- F512 — Rectangular Mini-Flange (Receptacle 32 only)
- A176 — Gold Plated Contacts

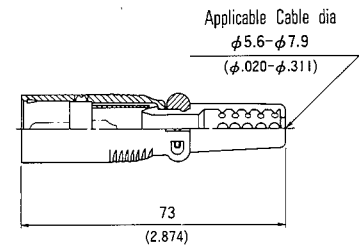
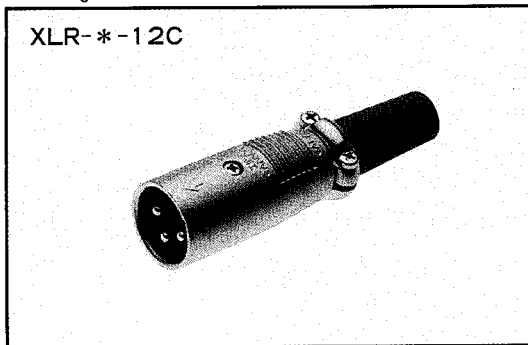
*** Black shell available. Contact Factory**

Plugs

Female Plug

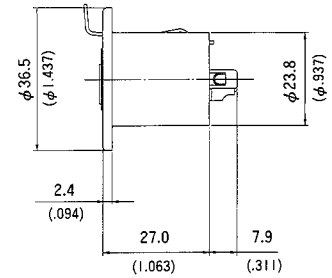
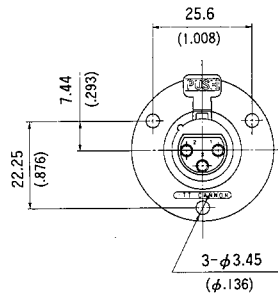
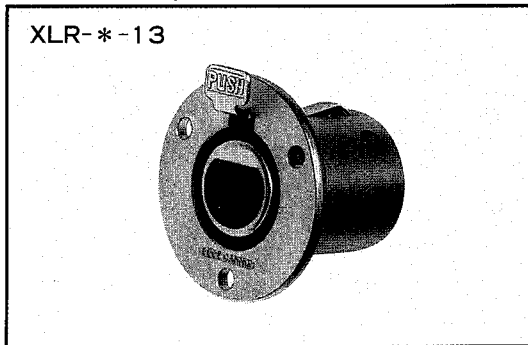


Male Plug

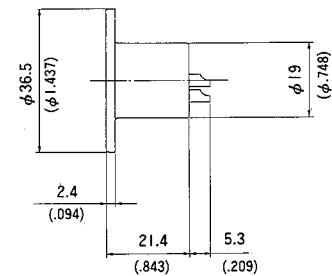
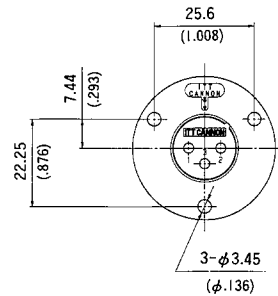
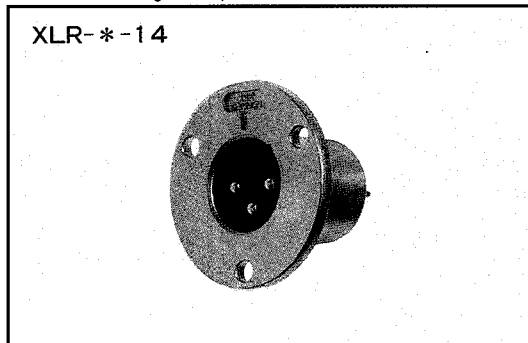


Receptacles

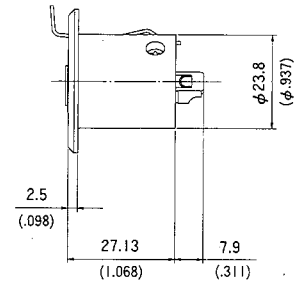
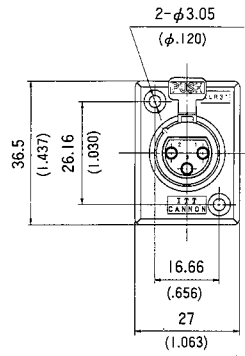
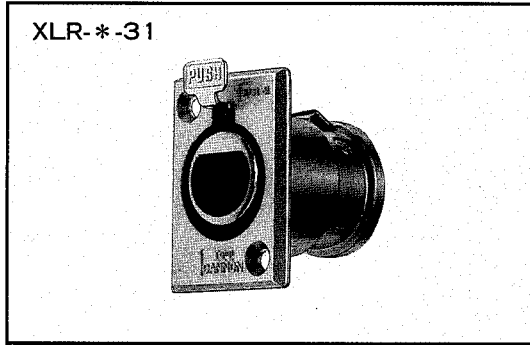
Female Round Flange Receptacles



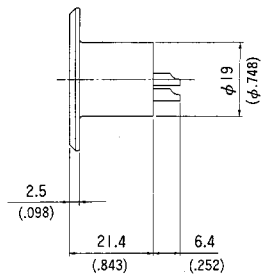
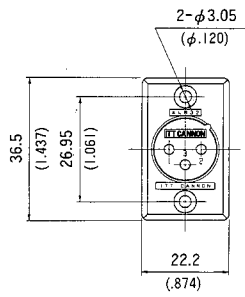
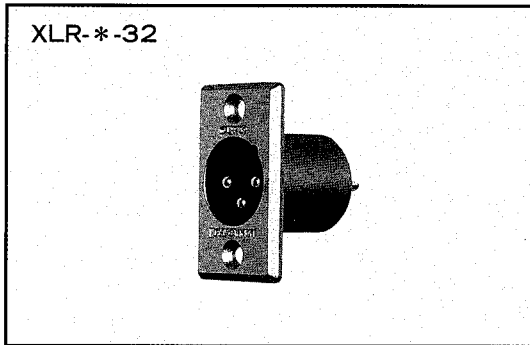
Male Round Flange Receptacles



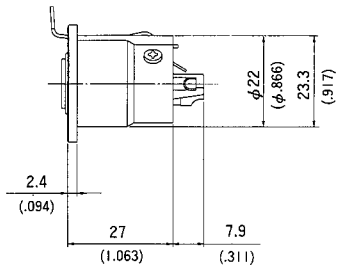
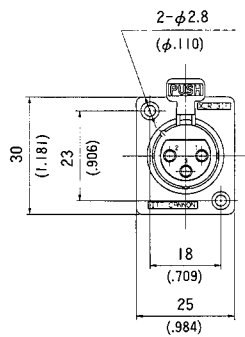
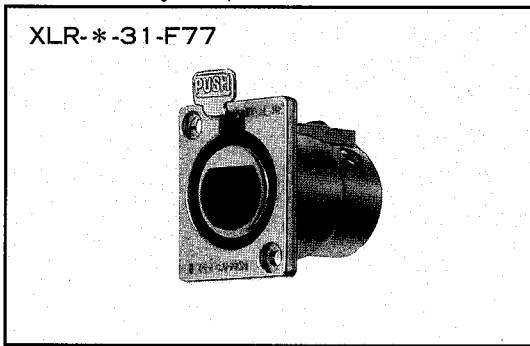
Female Flange Receptacle



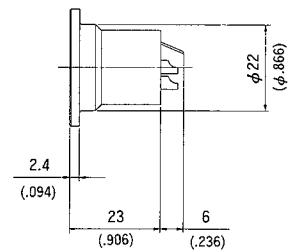
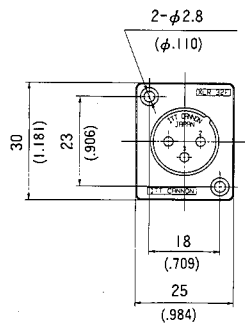
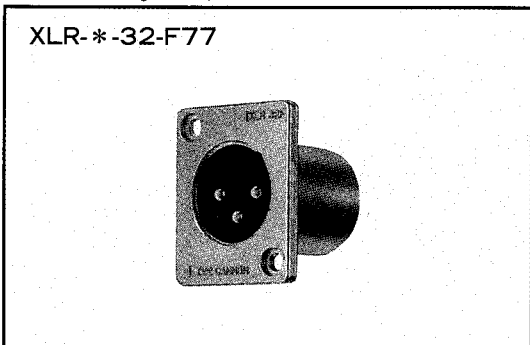
Male Flange Receptacle



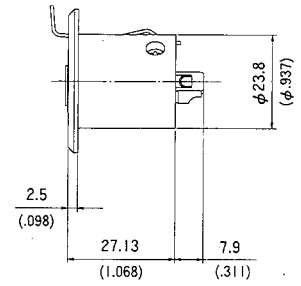
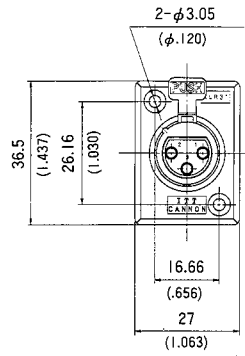
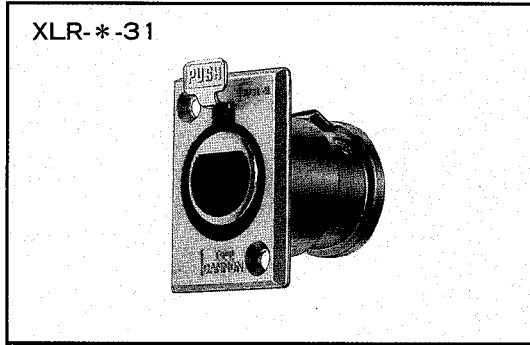
Small Female Flange Receptacle



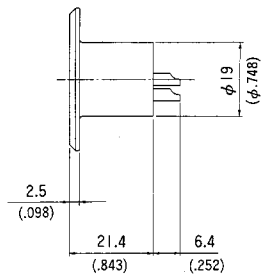
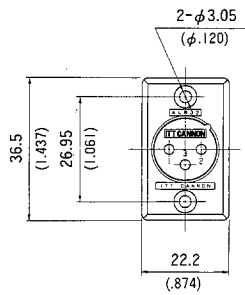
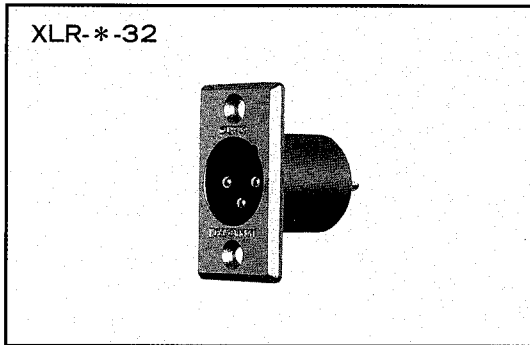
Small Male Flange Receptacle



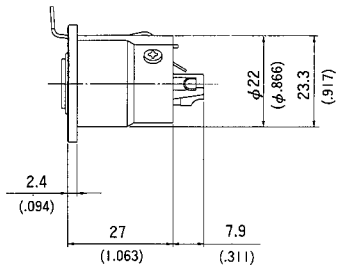
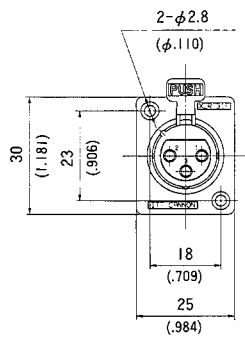
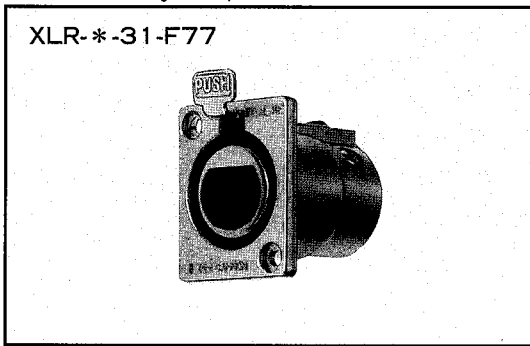
Female Flange Receptacle



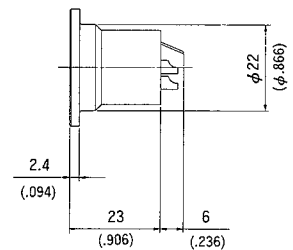
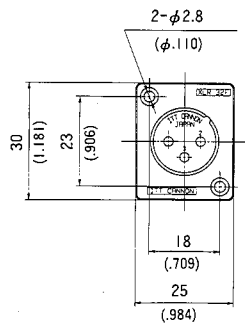
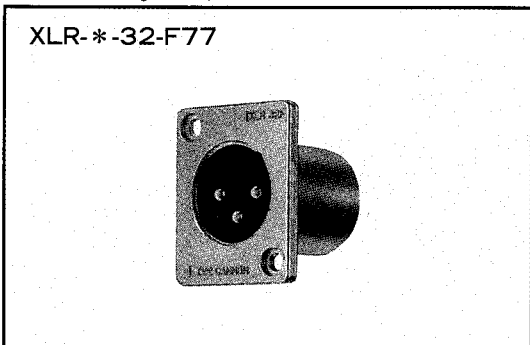
Male Flange Receptacle



Small Female Flange Receptacle

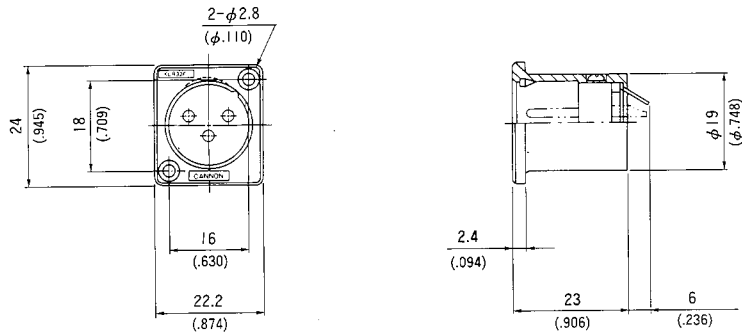
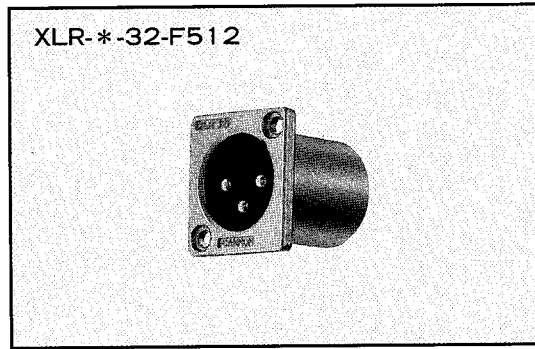


Small Male Flange Receptacle



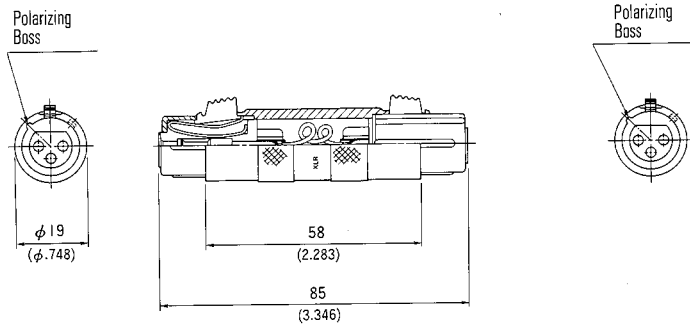
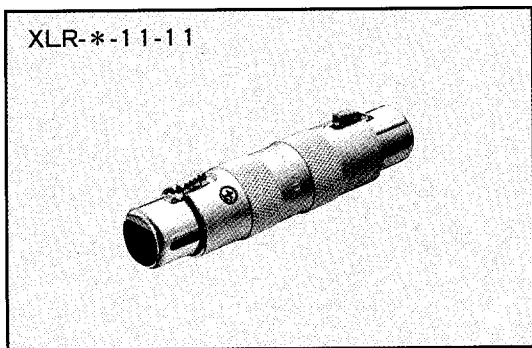
XLR

Male Mini Flange Receptacle

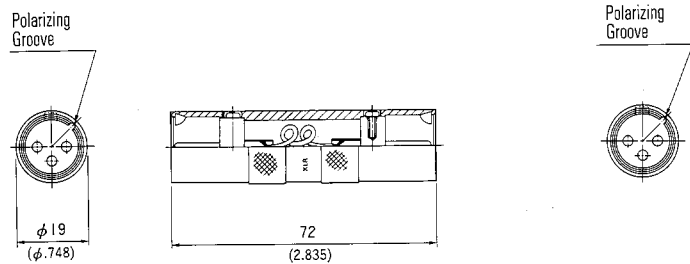
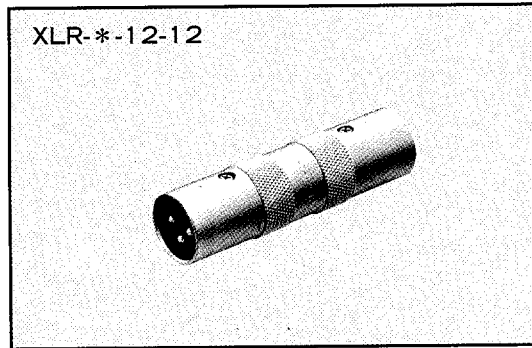


■ Bulkhead-Adapters

Female-Female Bulkhead



Male-Male Bulkhead



■ Dust Caps

	Plastic	Metallic	For use with (Shell styles)
Female Cap	<p>XLR-SDC</p>	<p>XLR-13RC</p>	11, 11B, 11C, 13, 31, 31B, 41, 41B, 31-F77
Male Cap	<p>XLR-PDC</p>	<p>XLR-14PC</p>	12, 12B, 12C, 14, 32, 32B, 42, 42B, 32-F77, 32-F512

General Performance Characteristics

Number of Contacts	2	3	4	5	6	6	7
Contact Arrangement Designator	2A	3	4	5	6	6A	7
Contact Arrangement Configuration							
Rated Current	15A	※10A	10A	7.5A	7.5A	7.5A	5A
Service Voltage(AC)	200V	133V	133V	133V	133V	133V	133V
Dielectric Withstanding Voltage(AC)	1600V	1400V	1400V	1400V	1400V	1400V	1400V
Insulation Resistance	5,000MΩ min. at 500VDC						
Contact Resistance	See specifications in each series						
Operating Temperature	-35°C ~ +85°C (XLR/XLG; -55°C ~ +125°C)						
Wire Accommodation Reference AWG	#14	#14	#16	#18	#18	#18	#20
Wire Cross Section (max.)	2.0mm ²	2.0mm ²	1.4mm ²	0.9mm ²	0.9mm ²	0.9mm ²	0.5mm ²
Stranded Wire O.D. (max.)	2.1mm	2.1mm	1.6mm	1.4mm	1.4mm	1.4mm	1.0mm

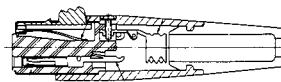
※ XLR/XLG : 15A
XLM/XLB-PC : 3A

Series Variations

Series/Shell	Styles	Contact Arrangement						
		2A	3	4	5	6	6A	7
XLB2	11/11B	*	*	*	*	*	*	*
	12/12B	*	*	*	*	*	*	*
	31/31B	*	*	*	*	*	*	*
	32/32B	*	*	*	*	*	*	*
	41/41B	*	*	*	*	*	*	*
	42/42B	*	*	*	*	*	*	*
(Crimp)	11F		*					
XLR	11C	*	*	*	*	*	*	*
	12C	*	*	*	*	*	*	*
	13	*	*	*	*	*	*	*
	14	*	*	*	*	*	*	*
	31	*	*	*	*	*	*	*
	32	*	*	*	*	*	*	*
	31-F77	*	*	*	*	*	*	*
	32-F77	*	*	*	*	*	*	*
XLA	32-F512	*	*	*	*	*	*	*
	11		*	*				
XLG	12		*					
	11/11B		*					
	12/12B		*					
	31/31B		*					
XLB	32/32B		*					
	31/32-PCS	*						
	31/32-PCV	*						
	31/32-PCH-L	*						
	31/32-PCH-R	*						
XLM	31/32-PCS	*						
	31/32-PCV	*						
	31/32-PCH-L	*						
	31/32-PCH-R	*						

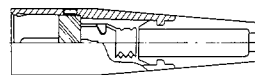
Shell Styles

● Female Plug



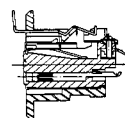
Type ; 11, 11B, 11C

● Male Plug



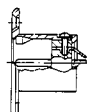
Type ; 12, 12B, 12C

● Female Flange Receptacle



Type ; 13
31, 31B,
41, 41B,
31-F77

● Male Flange Receptacle



Type ; 14
32, 32B,
42, 42B,
32-F77,
32-F512