

THIS DRAWING IS UNPUBLISHED.

RELEASED FOR PUBLICATION

ALL RIGHTS RESERVED.

© COPYRIGHT - By -

LOC FT DIST 0

REVISIONS

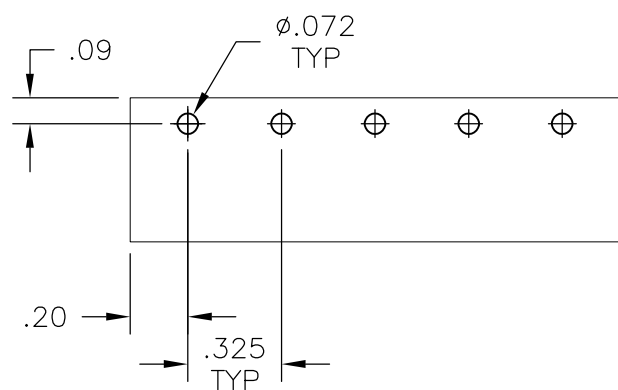
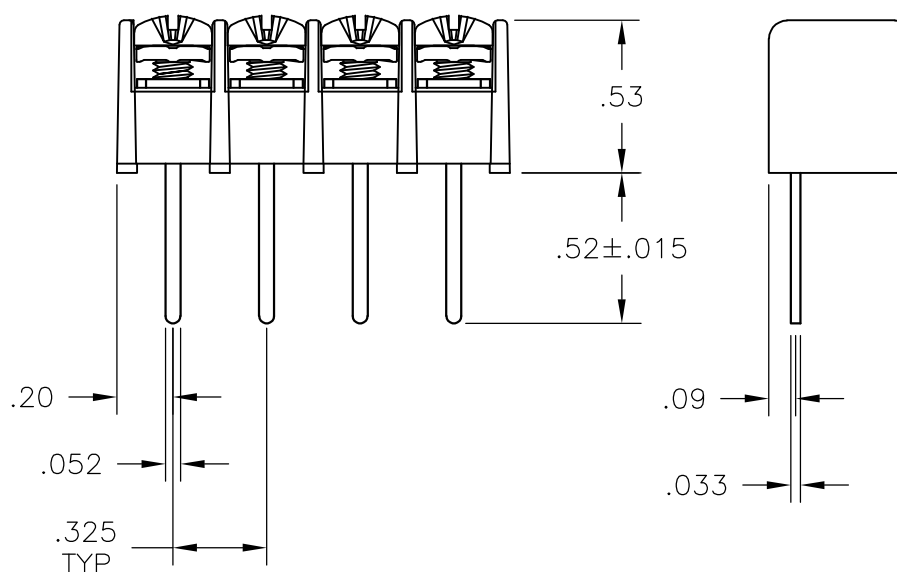
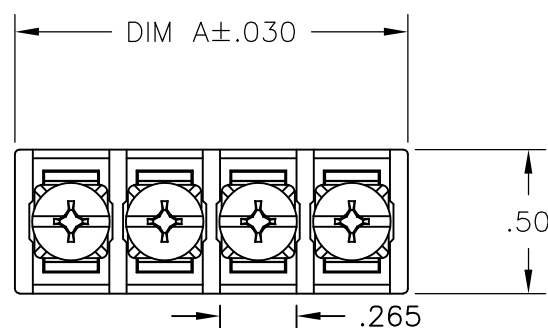
P	LTR	DESCRIPTION	DATE	DWN	APVD
	B1	OBSOLETING PART NUMBERS 15 POSITION AND ABOVE	09APR2015	CR	PS

MATERIAL:
 HOUSING: THERMOPLASTIC PA, UL94V-0, BLACK.
 TERMINAL: BRIGHT TIN PLATED, COPPER ALLOY.
 SCREW: 6-32, STEEL, ZINC PLATED, CLEAR CHROMATE.

ELECTRICAL:
 UL CLASS C: 20A, 150V.
 UL CLASS D: 10A, 300V.
 CSA TYPE B: 20A, 300V.
 CSA TYPE C: 20A, 300V.
 CSA TYPE D: 10A, 300V.
 CSA TYPE E: 20A, 300V.
 WIRE RANGE: 12-22 AWG.

MECHANICAL:
 RECOMMENDED TORQUE RATING: 7 IN-LBS.
 RUNNING TORQUE: 0.5-3.5 IN-LBS UNLESS OTHERWISE STATED.

1 OBSOLETE PARTS.



RECOMMENDED PCB LAYOUT

DIM A	NO. OF POS.	CATALOG NUMBER	TE PART NO.
9.815	30	4DB-W108-30	3-1546444-0
9.490	29	4DB-W108-29	2-1546444-9
9.165	28	4DB-W108-28	2-1546444-8
8.840	27	4DB-W108-27	2-1546444-7
8.515	26	4DB-W108-26	2-1546444-6
8.190	25	4DB-W108-25	2-1546444-5
7.865	24	4DB-W108-24	2-1546444-4
7.540	23	4DB-W108-23	2-1546444-3
7.215	22	4DB-W108-22	2-1546444-2
6.890	21	4DB-W108-21	2-1546444-1
6.565	20	4DB-W108-20	8-1437667-9
6.240	19	4DB-W108-19	1-1546444-9
5.915	18	4DB-W108-18	8-1437667-8
5.590	17	4DB-W108-17	1-1546444-7
5.265	16	4DB-W108-16	1-1546444-6
4.940	15	4DB-W108-15	1-1546444-5
4.615	14	4DB-W108-14	1-1546444-4
4.290	13	4DB-W108-13	1-1546444-3
3.965	12	4DB-W108-12	8-1437667-7
3.640	11	4DB-W108-11	1-1546444-1
3.315	10	4DB-W108-10	1-1546444-0
2.990	9	4DB-W108-09	1546444-9
2.665	8	4DB-W108-08	1546444-8
2.340	7	4DB-W108-07	796658-1
2.015	6	4DB-W108-06	8-1437667-6
1.690	5	4DB-W108-05	1546444-5
1.365	4	4DB-W108-04	1546444-4
1.040	3	4DB-W108-03	796988-1
.715	2	4DB-W108-02	1546444-2

THIS DRAWING IS A CONTROLLED DOCUMENT.		DWN S SCHLEGEL 5/17/04	STE TE Connectivity	
DIMENSIONS: INCHES		CHK S YODER 5/07/04		
TOLERANCES UNLESS OTHERWISE SPECIFIED:		APVD S YODER 5/17/04	NAME	
0 PLC ± -		PRODUCT SPEC	4DB SERIES	
1 PLC ± -		APPLICATION SPEC	W108 STYLE	
2 PLC ± .01		SIZE	CAGE CODE	DRAWING NO
3 PLC ± .005		WEIGHT	W108	8-1437667-6
4 PLC ± -		RESTRICTED TO		
ANGLES ± 2'		A3 00779 C-8-1437667-6		
MATERIAL	FINISH	CUSTOMER DRAWING		
		SCALE	SHEET	REV
		NTS	1 OF 1	B1