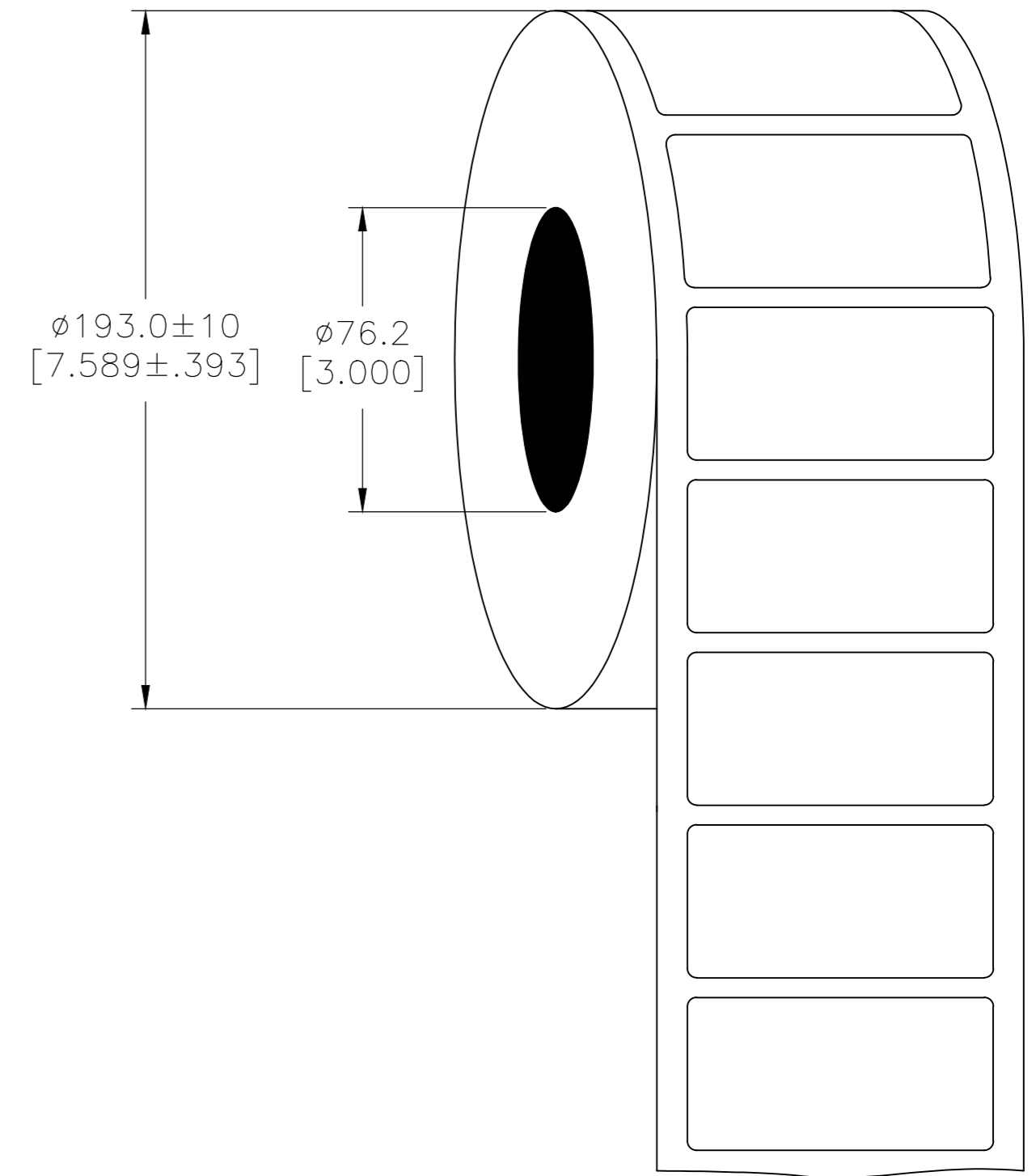
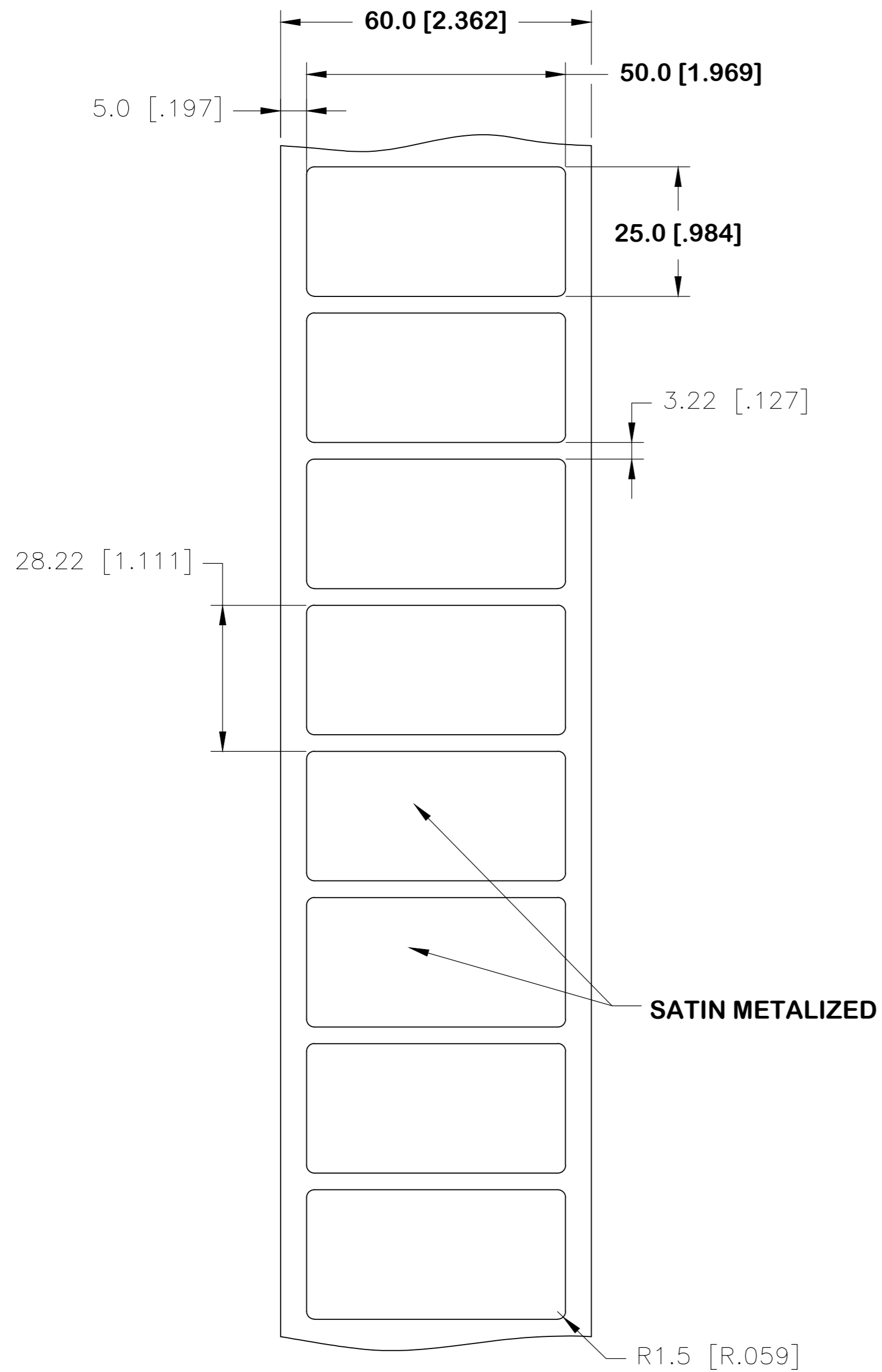


REVISIONS					
P	LTR	DESCRIPTION	DATE	DWN	APVD
	A	NEW DRAWING	07OCT2017	GK	DB
	A1	UL TABLE UPDATED	06JUN2018	GK	DB

### LABEL AND LINER DESIGN

### PRESENTATION



**OUTSIDE WOUND LABEL ACROSS: 1 PER ROLL QTY: 1000**

All dimensions in mm [Inch]

**TE PN: 2322593-1**

UL-MARKING AND LABELLING SYSTEMS	
PGJ12 - Printing Materials - Component (UL 969)	
PGJ18 - Printing Materials Certified for Canada - Component (CSA C22.2 No. 0.15)	
File: MH17292	Product design: <b>PL-8A</b> Ribbon: TTB-XXXSC/YYYYAQ529

TOLERANCES mm [INCH]	
LABEL HEIGHT:	$\pm 0.3$ [.012]
LABEL WIDTH:	$\pm 0.3$ [.012]
WEB WIDTH:	$\pm 0.5$ [.020]
VERTICAL REPEAT:	$\pm 0.5$ [.020]*
HORIZONTAL REPEAT:	$\pm 0.5$ [.020]*
LABEL POSITIONING:	$\pm 0.5$ [.020]*
LEFT MARGIN:	$\pm 0.5$ [.020]
QUANTITY:	-0 % +2 %
*NON ACCUMULATING	

MATERIAL		POLYESTER SATIN METALIZED	
ADHESIVE TYPE		ACRYLIC PE FOAM	
LINEAR		BROWN KRAFT	
DWN: GOPALAKRISHNA HV		TE Connectivity	
CHK: D.BURGAT		TE Connectivity	
APVD: D.BURGAT		TE Connectivity	
PRODUCT SPEC: TTDS-245		PANEL LABEL-SATIN METALIZED	
APPLICATION SPEC: -		50.0 x 25.0mm [1.969 x 0.984inch]	
WEIGHT: 0.589g	SIZE: A2	CAGE CODE: FB1U7	DRAWING NO: PL-050025-1-8A
CUSTOMER DRAWING		SCALE: NTS	SHEET: 1 of 1
		REV: A1	