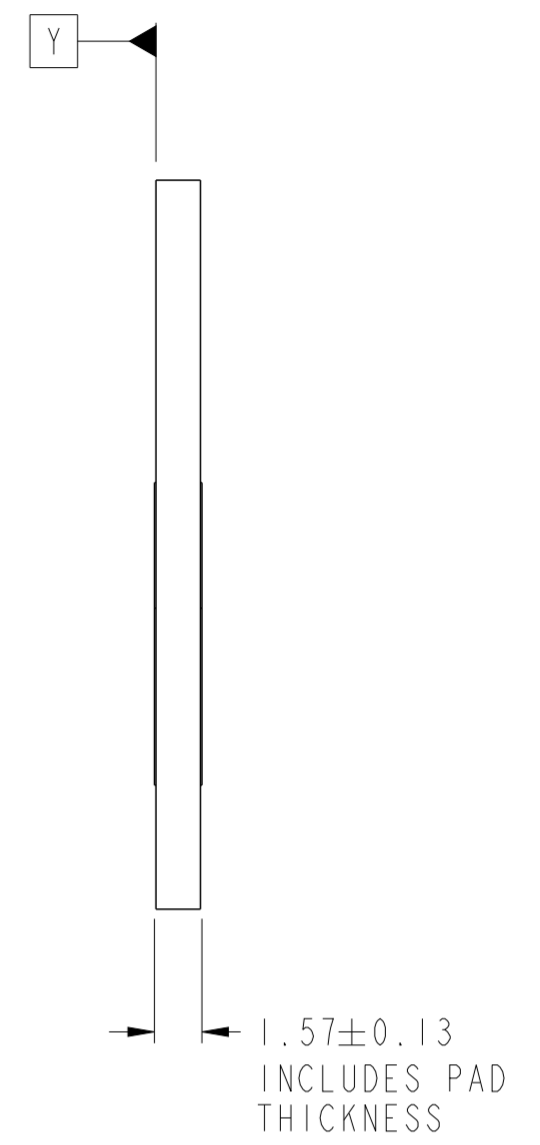
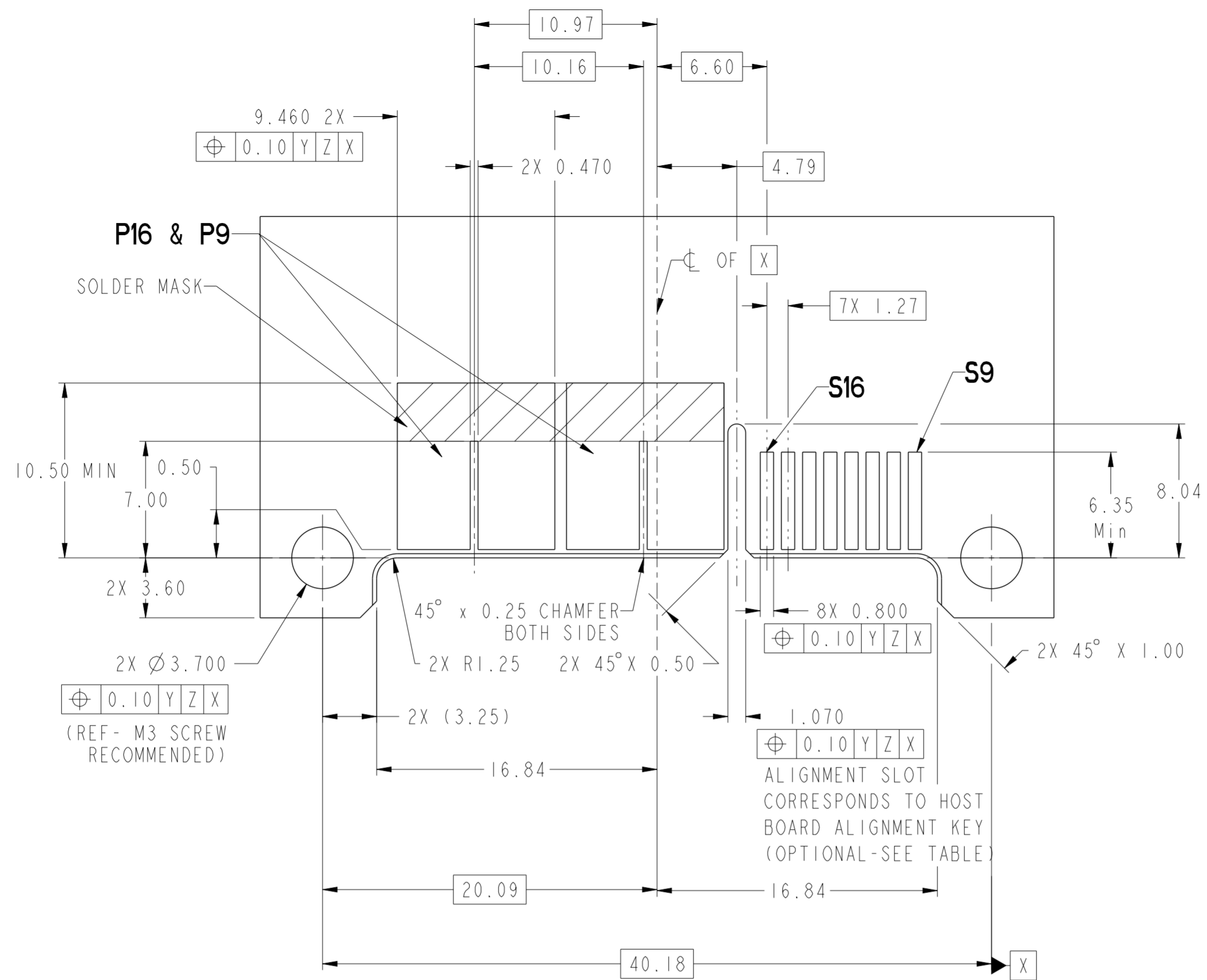


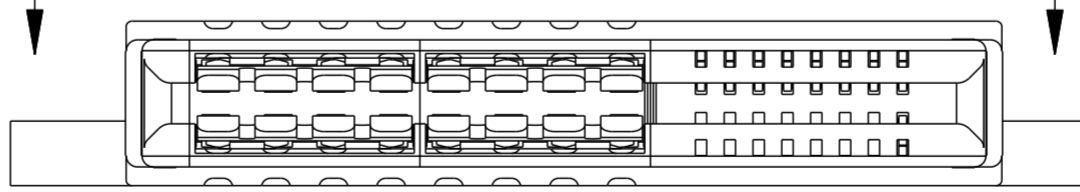
| | | | | | | | | | | | |
|---------------------------------------|------------|------|----------------|------------|---------------------|-----------|--|-------------------------|------------------------|--------------|----------|
| spec ref | - | dr | Wei-Long Zhang | 2012/05/11 | projection | MM | size | A2 | scale | 3:1 | |
| tolerance std | ASME Y14.5 | eng | Sunny2 Liu | 2016/05/18 | | CARD EDGE | ecn no | ELX-DG-24036-1 | rel level | Released | |
| TOLERANCES UNLESS OTHERWISE SPECIFIED | | chr | Terris Liu | 2016/05/20 | | | product family | HPCE - (STRADDLE MOUNT) | | rel level | Released |
| surface | linear | 0.X | ±0.3 | 0.XX | | | ±0.1 | 0.XXX | | ±0.05 | angular |
| ASME Y14.5 | | appr | Pei-Ming Zheng | 2016/05/24 | Amphenol FCI | | RECEPTACLE (16P-16S) HPCE - (STRADDLE MOUNT) | cat. no. - | Product - Customer Drw | sheet 1 of 4 | |
| | | | | | | | title RECEPTACLE (16P-16S) HPCE - (STRADDLE MOUNT) | dwg no 10121046 | rev B | | |

Amphenol FCI

© 2016 AFCI



RECOMMENDED PCB LAYOUT AS VIEWED



| | | | | | | | | | | | |
|---------------------------------------|------------|------|----------------|--|------------|----|------------------------|----------------|-------|-----|--|
| spec ref | - | dr | Wei-Long Zhang | 2012/05/11 | projection | MM | size | A2 | scale | 3:1 | |
| tolerance std | ASME Y14.5 | eng | Sunny2 Liu | 2016/05/18 | | | ecn no | ELX-DG-24036-1 | | | |
| TOLERANCES UNLESS OTHERWISE SPECIFIED | | chr | Terris Liu | 2016/05/20 | | | rel level | Released | | | |
| surface | linear | appr | Pai-Ming Zheng | 2016/05/24 | | | product family | CARD EDGE | | | |
| ASME Y14.5 | angular | | | RECEPTACLE (16P-16S) HPCE - (STRADDLE MOUNT) | cat. no. | - | Product - Customer Drw | sheet 2 of 4 | rev | B | |

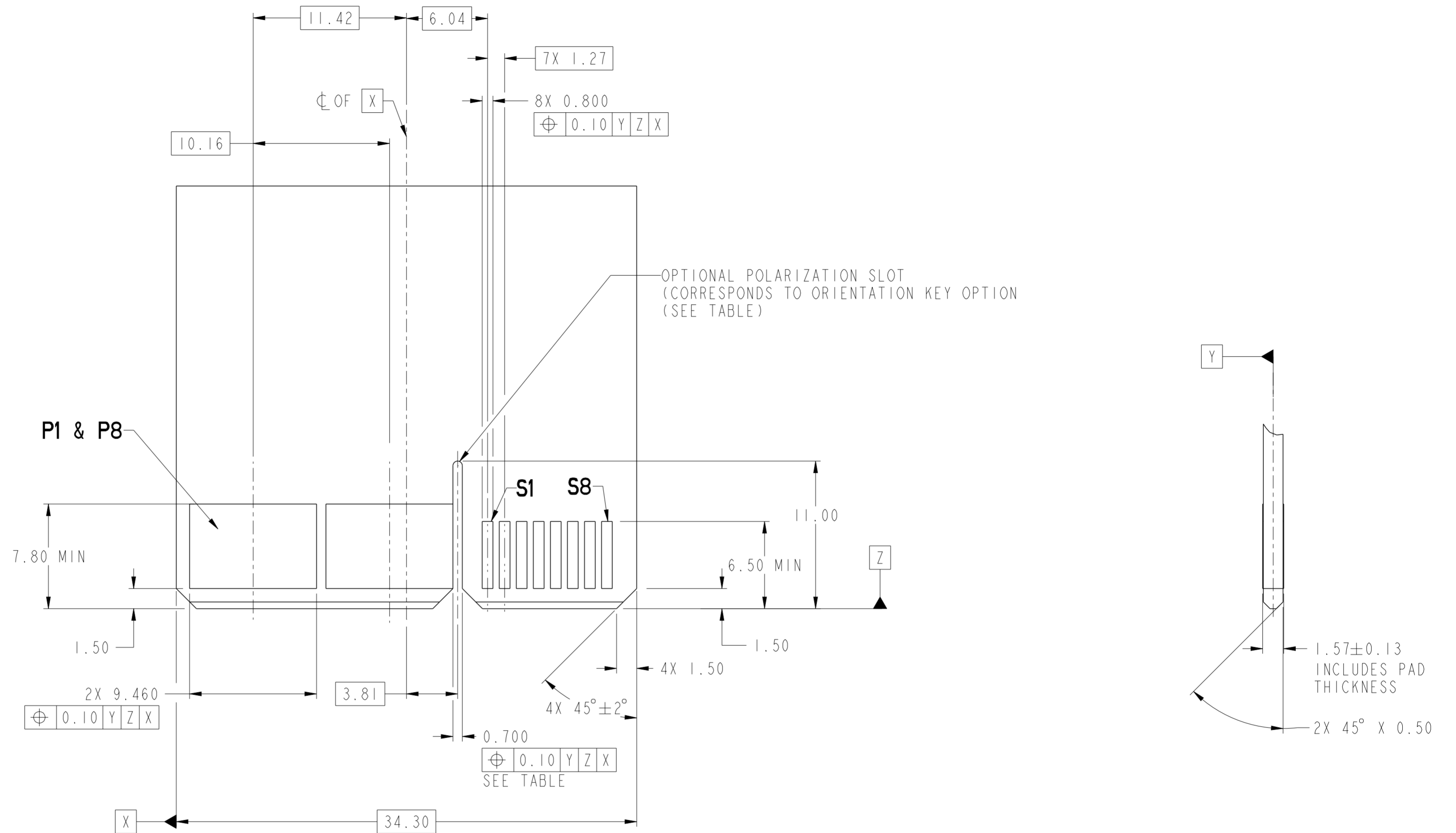
PDS: Rev :B

STATUS:Released

Printed: May 24, 2016

Amphenol FCI

© 2016 AFCI



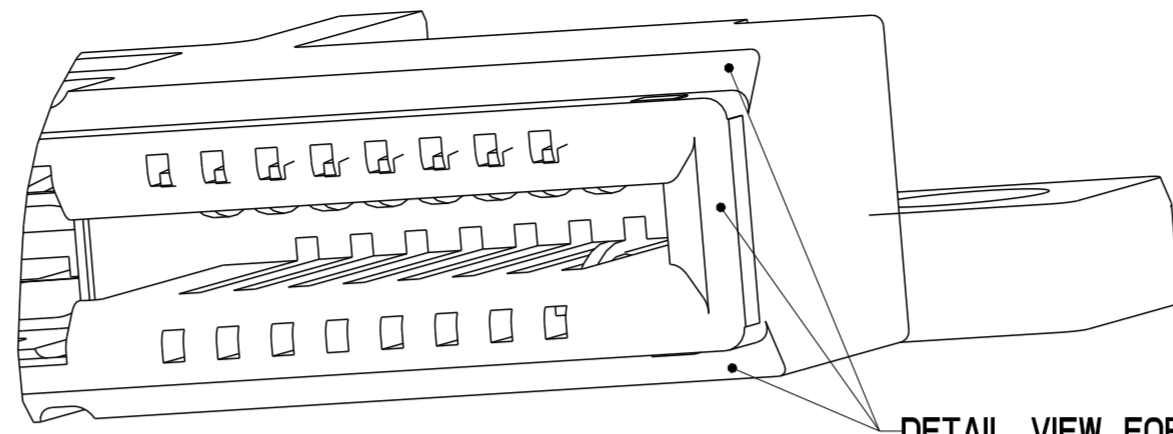
RECOMMENDED MATING BOARD FOOTPRINT

| | | | | | | | | | | |
|---------------------------------------|------------|---------|----------------|------------|------------|----|------------------------|----------------------|-----------|----------------------------------|
| spec ref | - | dr | Wei-Long Zhang | 2012/05/11 | projection | MM | size | A2 | scale | 1:1 |
| tolerance std | ASME Y14.5 | eng | Sunny2 Liu | 2016/05/18 | | | ecn no | ELX-DG-24036-1 | rel level | Released |
| TOLERANCES UNLESS OTHERWISE SPECIFIED | | chr | Terris Liu | 2016/05/20 | | | | | | |
| | | appr | Pai-Ming Zheng | 2016/05/24 | | | | | | |
| surface | ASME Y14.5 | linear | 0.X | ±0.3 | | | product family | RECEPTACLE (16P-16S) | | title HPCE - (STRADDLE MOUNT) |
| | | | 0.XX | ±0.1 | cat. no. | - | Product - Customer Drw | sheet 3 of 4 | rev | |
| | | angular | 0° | ±2° | | | rel level | | | |

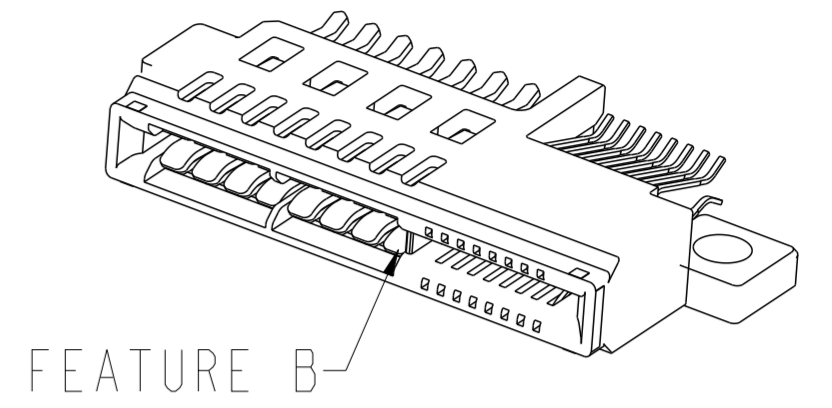
Amphenol FCI

© 2016 APCI

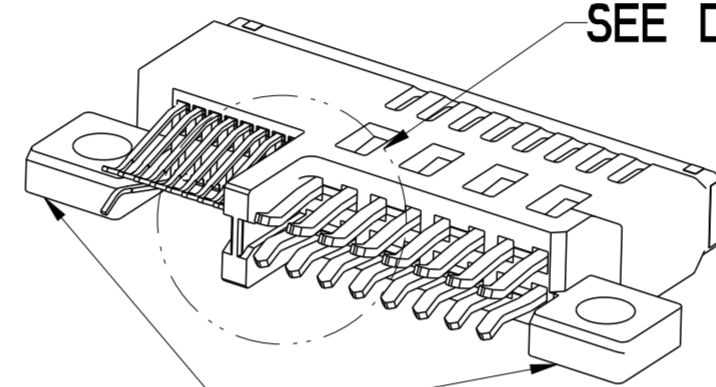
| PART NUMBER | FEATURE C HOST BOARD ALIGNMENT KEY (SEE NOTE 8) | FEATURE A MOUNTING EARS | FEATURE B FRONT POLARIZATION KEY |
|----------------|--|----------------------------|---|
| 10121046-001LF | YES | YES | NO |
| 10121046-002LF | | YES | YES |
| 10121046-003LF | | NO | NO |
| 10121046-004LF | | NO | YES |
| 10121046-005LF | NO | YES | NO |
| 10121046-006LF | | YES | YES |
| 10121046-007LF | | NO | NO |
| 10121046-008LF | | NO | YES |



DETAIL VIEW FOR
AROUND ENHANCED WALL

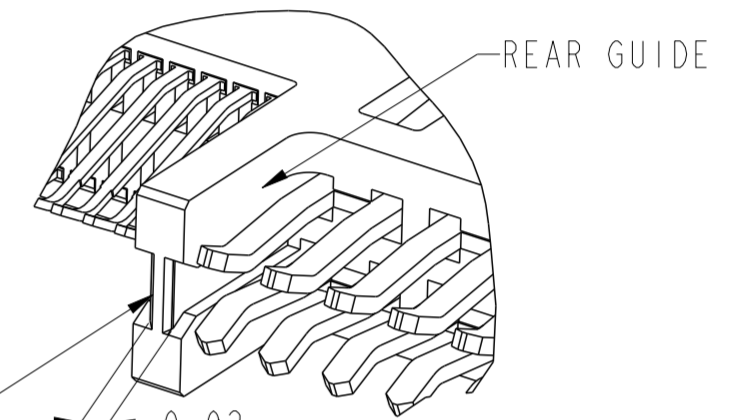


FEATURE B



SEE DETAIL A

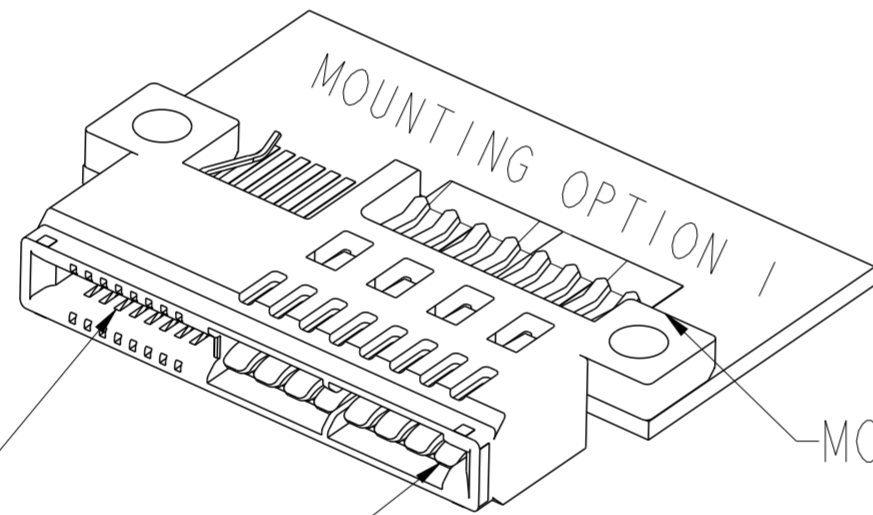
FEATURE A



FEATURE C

0.92
ALIGNMENT KEY

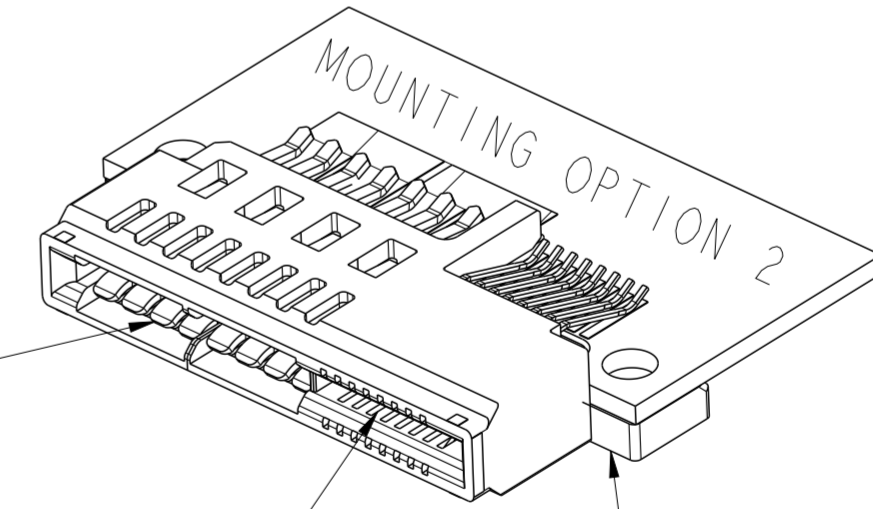
DETAIL A
SCALE 4:1



16 SIGNAL PINS

16 POWER PINS

MOUNTING EARS ARE UP



16 POWER PINS

16 SIGNAL PINS

MOUNTING EARS ARE DOWN

NOTES:

1. CONNECTOR MATERIALS:

HOUSING: HIGH TEMPERATURE THERMAL PLASTIC, BLACK
UL 94V-0 COMPLIANT
CONTACTS: HIGH PERFORMANCE COPPER ALLOY.

2. CONTACT FINISH REF. GS-12-604 SECTION 5.2.

3. PRODUCT SPECIFICATION: GS-12-604.

4. APPLICATION SPECIFICATION: GS-20-128.

5. Δ PRODUCT MARKING ON HOUSING IN AREA SHOWN MEETS AFCI SPECIFICATION: GS-24-007.

6. PACKAGING MEETS FCI SPECIFICATION GS-14-937.

7. HOUSING COMPONENT WILL WITHSTAND EXPOSURE TO 260°C PEAK TEMPERATURE FOR 60 SECONDS IN A CONVECTION, INFRA-RED, OR VAPOR PHASE REFLOW OVEN.

8. HOST BOARD ALIGNMENT KEY IS RECOMMENDED TO ENSURE PROPER ALIGNMENT OF SOLDER TAILS WITH HOST BOARD PADS.

9. A SYMBOL Δ WILL BE NEXT TO ANY DIMENSION, VIEW, OR NOTE WHICH HAS BEEN MODIFIED WITH THE CURRENT DRAWING REVISION.

| | | | | | | | | | | |
|---------------------------------------|------------|------|----------------|------------|--|----------|------------------------|----------------|-----------|----------|
| spec ref | - | dr | Wei-Long Zhang | 2012/05/11 | projection | MM | size | A2 | scale | 4:1 |
| tolerance std | ASME Y14.5 | eng | Sunny2 Liu | 2016/05/18 | | | ecn no | ELX-DG-24036-1 | rel level | Released |
| TOLERANCES UNLESS OTHERWISE SPECIFIED | | chr | Terris Liu | 2016/05/20 | | | | | | |
| surface | linear | 0.X | ±0.3 | | RECEPTACLE (16P-16S) HPCE - (STRADDLE MOUNT) | cat. no. | Product - Customer Drw | sheet 4 of 4 | rev B | |
| | | 0.XX | ±0.1 | | | | | | | |
| | angular | 0° | ±2° | | | | | | | |