

4

3

2

1

THIS DRAWING IS UNPUBLISHED.

RELEASED FOR PUBLICATION

20

© COPYRIGHT 20

BY -

ALL RIGHTS RESERVED.

REVISIONS

P	LTR	DESCRIPTION	DATE	DWN	APVD
	A	INITIAL RELEASE	06APR2015	GY	CW
	B	ECR-15-013759	27SEP2015	DW	CW
	B1	ECR-16-011988	25AUG2016	YC	CW

TYPE 1, T2040102101-000, WITH LOGO
类型 1, T2040102101-000, 带LOGO

NOTES:

1. TECHNICAL CHARACTERISTICS:
INSULATION MATERIAL: PC
RATED VOLTAGE: 500V
RATED CURRENT: 16A
INSULATION RESISTANCE: $\geq 400M\Omega$
RATED IMPULSE VOLTAGE: 6KV
POLLUTION DEGREE: 3
FLAMMABILITY: UL94V-0
MATING CYCLES: 500 CYCLES
WIRE RANGE: $0.5mm^2 \sim 2.5mm^2$ (AWG20-AWG14)
CONTACT TYPE: SCREW CLAMP (M3)

注释:

1. 技术参数:
绝缘材料: PC
额定电压: 500V
额定电流: 16A
绝缘电阻: $\geq 400M\Omega$
脉冲电压: 6KV
污染等级: 3
阻燃等级: UL94V-0
插拔次数: 500 次
接线范围: $0.5mm^2 \sim 2.5mm^2$ (AWG20-AWG14)
接线类型: 螺丝压接 (M3)

4X M3 SCREW, RECOMMENDED
TIGHTENING TORQUE 0.5Nm
4X M3螺丝, 推荐锁紧力矩0.5Nm

M4 SCREW, RECOMMENDED
TIGHTENING TORQUE 1.2Nm
M4螺丝, 推荐锁紧力矩1.2Nm

10X M3 SCREW, RECOMMENDED
TIGHTENING TORQUE 0.5Nm
10X M3螺丝, 推荐锁紧力矩0.5Nm

PANEL CUT FOR INSERTS FOR USE
WITHOUT HOODS/ HOUSINGS

不使用防护外壳时芯件的安装开孔图

THIS DRAWING IS A CONTROLLED DOCUMENT.

DWN 06APR2015

GINO YAO

CHK 06APR2015

CHRIS WANG

APVD 06APR2015

XIANG XU

PRODUCT SPEC

108-137044

APPLICATION SPEC

114-137044

WEIGHT

-

CUSTOMER DRAWING

TE Connectivity

NAME

HE-010-M

SIZE

A3

CAGE CODE

00779

DRAWING NO

G-T2040102101000

RESTRICTED TO

-

SCALE

1:1

SHEET

1 OF 2

REV

B1

DIMENSIONS:

-

TOLERANCES UNLESS
OTHERWISE SPECIFIED:

0 PLC	±-
1 PLC	±-
2 PLC	±-
3 PLC	±-
4 PLC	±-
ANGLES	±-

MATERIAL

-

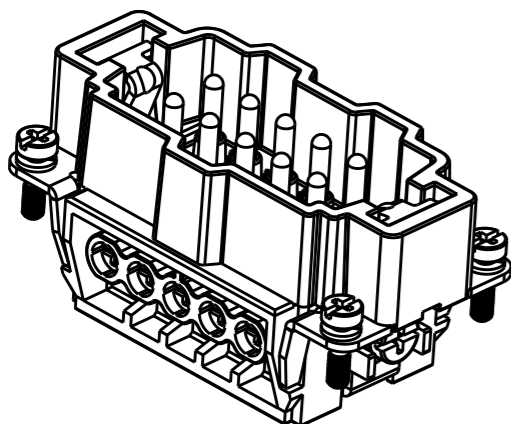
FINISH

-

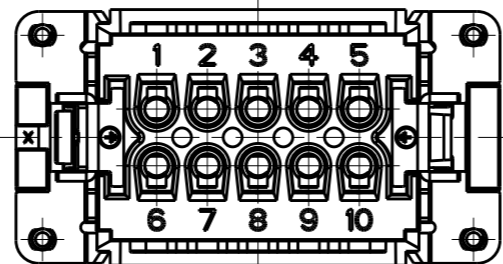
1470-19 (3/13)

REVISIONS

P	LTR	DESCRIPTION	DATE	DWN	APVD
		SEE SHEET 1			

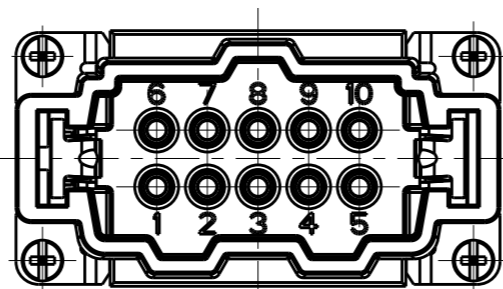
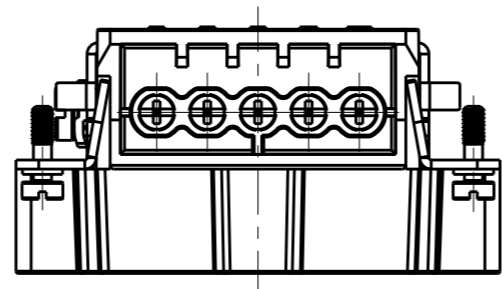
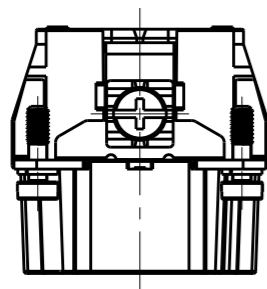


TYPE 2, T2040102101-001, WITHOUT LOGO
 类型 2, T2040102101-001, 不带LOGO



NOTE:
 ALL SPEC REFER TO TYPE 1

注释:
 所有产品规范参照 TYPE 1



T2040102101-000	HE-010-M	HE-010 MALE INSERT HE-010 公插	TYPE 1
T2040102101-001	HE-010-M	HE-010 MALE INSERT, WITHOUT LOGO HE-010 公插, 无LOGO	TYPE 2
PART NUMBER 料号		PART DESCRIPTION 描述	TYPE 类型

THIS DRAWING IS A CONTROLLED DOCUMENT.		DWN GINO YAO 06APR2015			
DIMENSIONS: mm		CHK CHRIS WANG 06APR2015			
		APVD XIANG XU 06APR2015			
TOLERANCES UNLESS OTHERWISE SPECIFIED:		PRODUCT SPEC 108-137044	NAME HE-010-M		
0 PLC ±-		APPLICATION SPEC 114-137044	SIZE A3	CAGE CODE 00779	DRAWING NO T2040102101000
1 PLC ±-		WEIGHT -	RESTRICTED TO -		
2 PLC ±-		CUSTOMER DRAWING	SCALE 1:1	SHEET 2 OF 2	REV B1
3 PLC ±-					
4 PLC ±-					
ANGLES ±-					
FINISH -					
MATERIAL -					