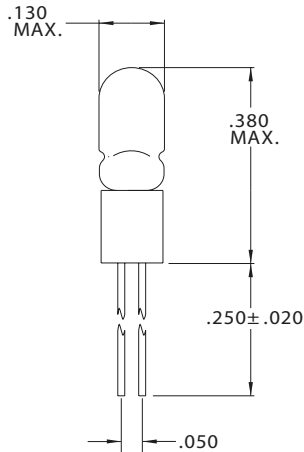
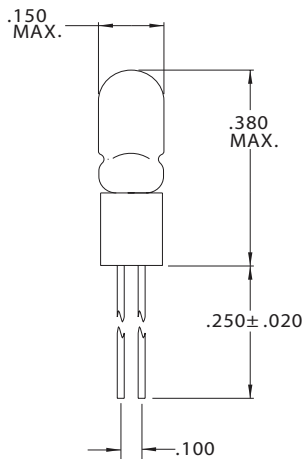


T-1 Bi-Pin Base (.050")



Part Number	Design Voltage	Amps	MSCP	Life Hours	Filament Type
CM7272	5.0	.075	.090	16,000	C-2R
CM7274	5.0	.115	.150	16,000	C-2R
CM7680	5.0	.060	.030	60,000	C-2R
CM7683	5.0	.060	.050	25,000	C-2R
CM7714	5.0	.075	.090	25,000	C-2R
CM7715	5.0	.115	.150	40,000	C-2R
CM9343	5.0	.060	.050	25,000	C-2R
CM9344	5.0	.115	.150	40,000	C-2R
CM9347	5.0	.075	.090	25,000	C-2R
CM8095	10.0	.027	.100	10,000	C-2F
CM8097	12.0	.060	.150	10,000	C-2F
CM8098	14.0	.065	.150	10,000	C-2F
CM9388	14.0	.040	.150	16,000	C-2F
CM8099	18.0	.026	.150	10,000	C-2F
CM7839	28.0	.024	.150	4,000	CC-2F
CM9393	28.0	.024	.150	4,000	C-2F

T-1 Bi-Pin Base (.100")



Part Number	Design Voltage	Amps	MSCP	Life Hours	Filament Type
CM8-2409	1.5	.075	.030	16,000	C-2R
CM8-2411	3.0	.008	.001	16,000	C-2R
CM8-2420	3.0	.013	.001	16,000	C-2R
CM8-2400	5.0	.115	.150	40,000	C-2R
CM8-2401	5.0	.060	.150	5,000	C-2R
CM8-2405	5.0	.020	.030	10,000	C-2R
CM8-2408	5.0	.030	.030	16,000	C-2R
CM8-2410	5.0	.017	.005	10,000	C-2R
CM8-2412	5.0	.060	.030	60,000	C-2R
CM8-2413	5.0	.060	.050	25,000	C-2R
CM8-2414	5.0	.075	.090	25,000	C-2R
CM8-2415	5.0	.125	.250	5,000	C-2R
CM8-2416	10.0	.027	.100	10,000	C-2F
CM8-2417	12.0	.060	.150	10,000	C-2F
CM8-2418	14.0	.065	.150	10,000	C-2F
CM8-2419	18.0	.026	.150	10,000	C-2F
CM8-2402	28.0	.024	.150	4,000	CC-2F