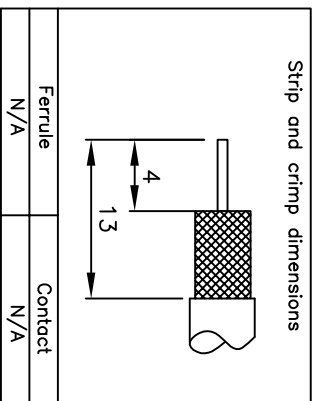
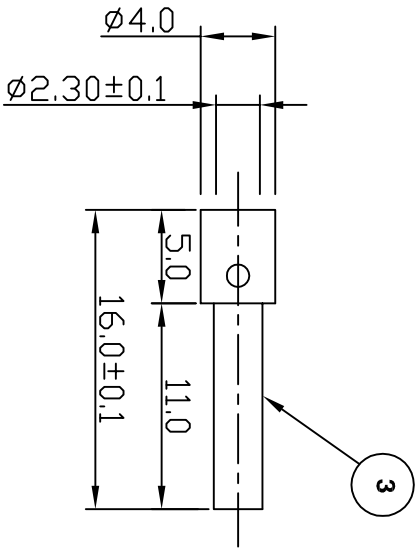
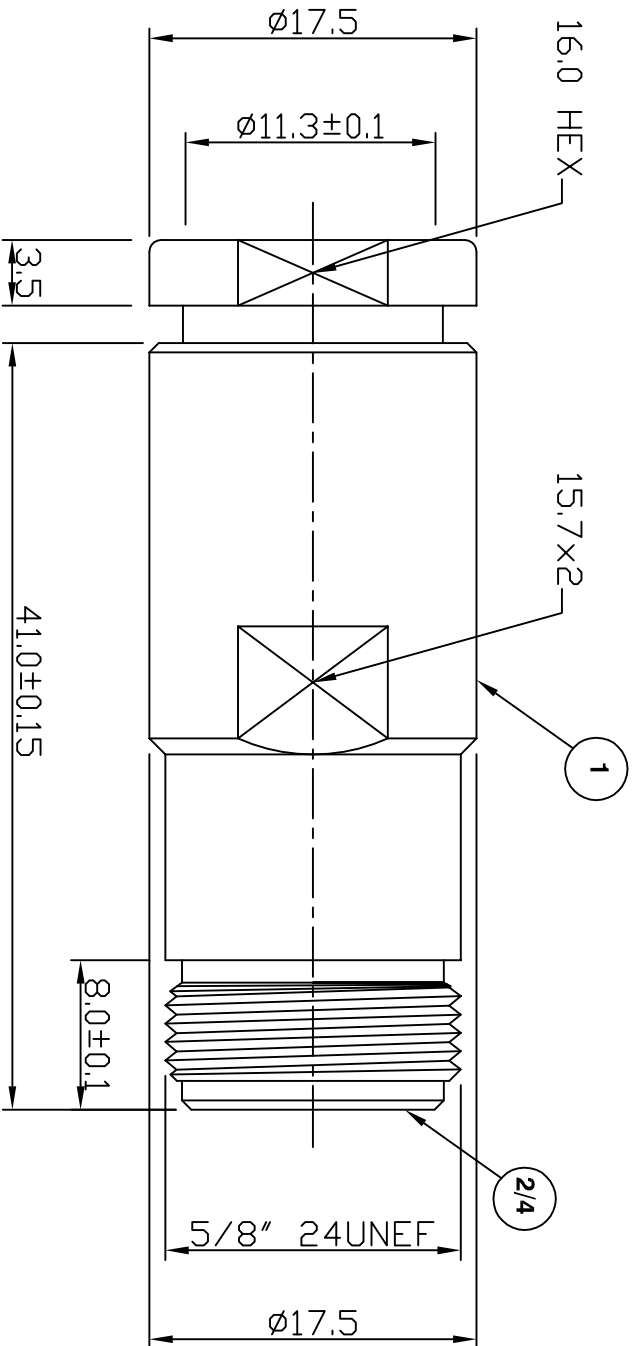


RoHS COMPLIANT



Electrical Characteristics

Nominal Impedance: 50 ohms
 Frequency Range: DC to 11 GHz
 VSWR: 1.3:1 maximum
 Insertion Loss: 0.3 dB at 10 GHz
 Operating Voltage (rms): 1000 V maximum at sea level
 Dielectric Withstand Voltage (rms): 2500 V maximum at sea level
 Contact Resistance: 1.0 milliohms maximum
 Insulation Resistance: 5000 megohms minimum

Mechanical Characteristics

Mating Cycles: 500 cycles minimum
 Interface Dimensions: Conform to MIL-C-39012

Environmental Characteristics

Temperature Range: -55 °C to +85 °C

PART	DESCRIPTION
1	Body Brass, nickel plated
2	Gasket Rubber
3	Contact Brass, gold plated
4	Dielectric Teflon

Dimensions Updated	JT	3	04 Mar 10
Strip And Crimp Dims Added	LB	2	26 Aug 09
First Issue	SN	1	24 May 02
DESCRIPTION OF REVISION	APPVD	ISS	DATE

For stripping and assembly instructions see Drawing Number: VAIN3202



EMERSON
 Network Power

Connectivity Solutions
 7-13 Russel Way,
 Widdford Industrial Estate,
 Chelmsford, Essex,
 CM1 3AA, UK.
 Tel: +44 (0) 1245 359515
 Fax: +44 (0) 1245 358938

SCALE: Not To Scale
 DIMENSIONS: mm
 TOLERANCES:
 ± 0.2mm unless
 otherwise stated

DRAWN BY: S Nash
 CHECKED BY: S Nash
 APPROVED BY: P Couzens
 DATE: 24 May 02

TITLE:
N Clamp Jack for RG213

PART NUMBER:

VNS30-2020

PAGE: 1 of 1