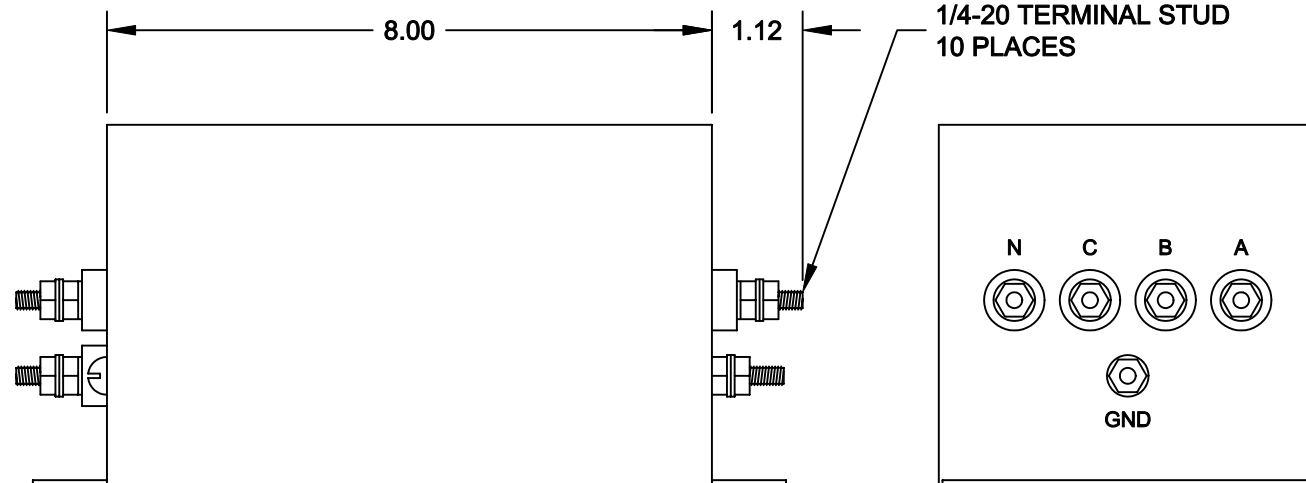
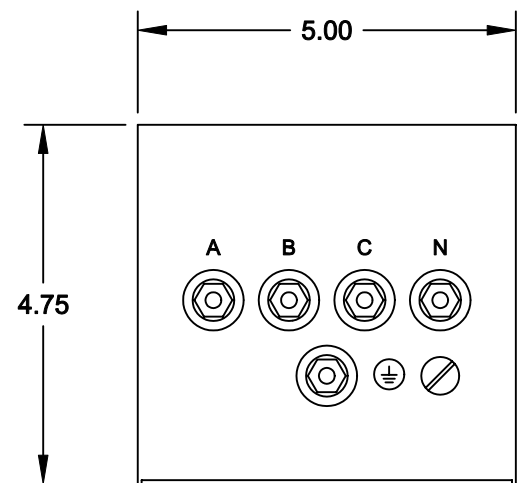
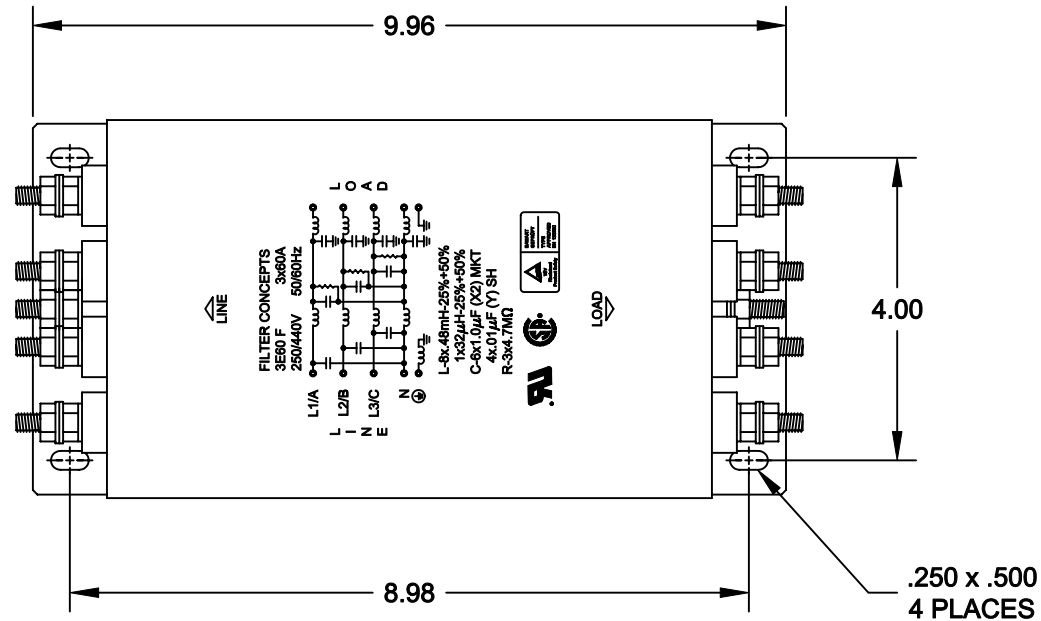


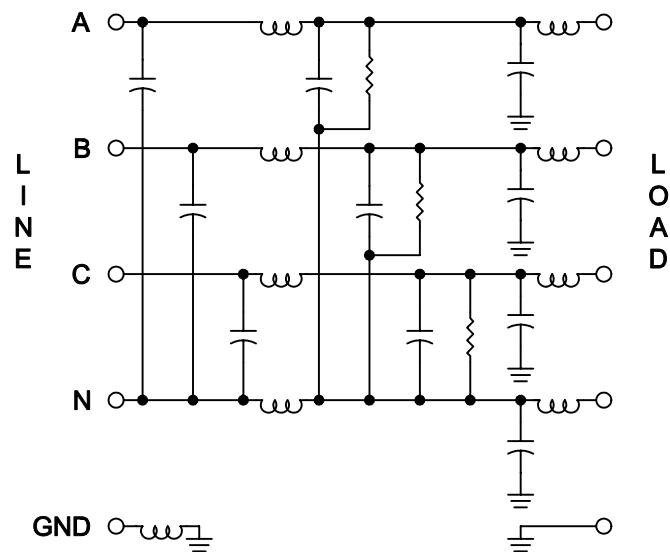
SPECIFICATIONS

1. CASE:
18 GA. (.048) CRS, TIN PLATED
2. RATED CURRENT:
3 x 60A
3. RATED VOLTAGE:
250/440VAC, 50/60Hz
4. TEST VOLTAGE:
LINE TO NEUTRAL: 1.7KVDC
LINE TO GROUND: 2.2KVDC
5. LEAKAGE CURRENT:
1.6mA @ 250VAC, 50Hz

REVISION			
LTR	DESCRIPTION	DATE	APPROVED
A	INITIAL RELEASE	05-01-02	LE
B	REVISED MARKING	03-12-03	LE



SCHEMATIC



INSERTION LOSS (50Ω TYPICAL)

	.05 MHz	.15 MHz	.50 MHz	1.5 MHz	5.0 MHz	20 MHz
L/N	12 db	22 db	50 db	55 db	50 db	50 db
L/G	3 db	25 db	55 db	60 db	50 db	50 db

UNLESS OTHERWISE SPECIFIED DIMENSIONS ARE INCHES TOLERANCES ARE: FRACTIONS DECIMALS ANGLES ± .XX ±.030 ± .XXX ±.010		CONTRACT NO.		FILTER CONCEPTS INC.			
		APPROVALS	DATE				
DRAWN GIANG TRINH		05-01-02				APPLICATION DRAWING 3E60 F FILTER	
CHECKED DANNIEL VUONG		05-01-02					
MATERIAL		FINISH		SIZE B	CODE IDENT NO.	DRAWING NO. 7263	
NEXT ASSY		USED ON		SCALE 2/5	SHEET 1 OF 1		
APPLICATION							