

(2.00 mm) .0787"

ESQT (-368), PTHF SERIES

PC/104-PLUS™ SELF-NESTING SOCKETS

SPECIFICATIONS

For complete specifications and recommended PCB layouts see www.samtec.com?ESQT or www.samtec.com?PTHF

Insulator Material:
Black Liquid Crystal Polymer (ESQT)
Black High Temp Nylon (PTHF)

Contact Material:
Phosphor Bronze

Plating:

Au or Sn over

50 μm (1.27 μm) Ni

Operating Temp Range:
-55 °C to +125 °C

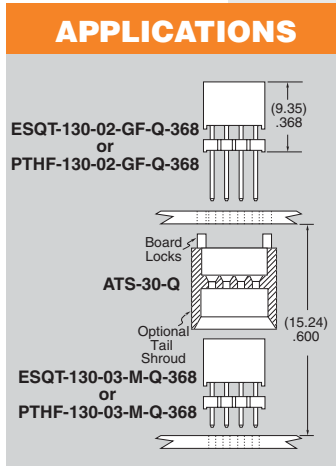
Normal Force:
60 grams (0.59 N) average

Max Cycles:
100 with 10 μm (0.25 μm) Au

RoHS Compliant:

Yes
Lead-Free Solderable:
Yes (ESQT)

Mates with:
ESQT, PTHF



Four row

Tiger Buy™ contact



Stack through and non-stack through tail lengths

(2.00 mm) .0787" pitch

Press-fit or solder tails

RECOGNITIONS

For complete scope of recognitions see www.samtec.com/quality

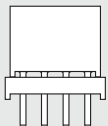


TOOLING

- Press-Fit CAT-PT-PT-130-A-4

For more information, visit www.samtec.com/tooling

OTHER SOLUTIONS



Paste In Hole (PIH) processing. Contact Samtec ASP Group. (Not recommended for stack through applications) ESQT only.

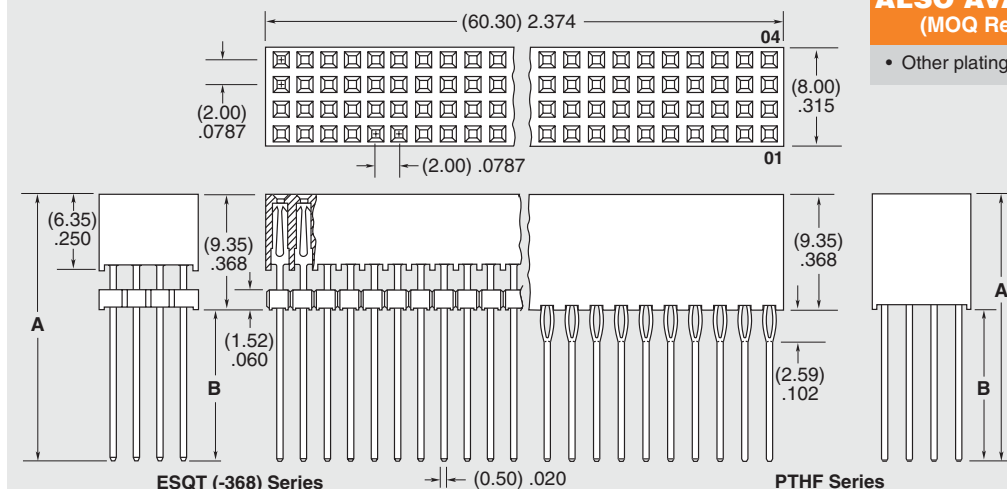
Note: Some lengths, styles and options are non-standard, non-returnable.

| | | | | | | | | |
|----------------------------------|----------|-------------------------|-----------|-------------------|--------------------------------------|---|----------|------------|
| TYPE STRIP | 1 | NO. PINS PER ROW | 30 | LEAD STYLE | Specify LEAD STYLE from chart | PLATING OPTION | Q | 368 |
| ESQT = Solder Tails | | | | | | -GF = 15 μm (0.38 μm) Gold on contact, Gold flash on tail (-02 Lead Style only) | | |
| PTHF = Press-fit Tails | | | | | | -M = 20 μm (0.51 μm) Gold on contact, Matte Tin on tail (-03 Lead Style only) | | |

| LEAD STYLE | ESQT | | PTHF | |
|------------|--------------|--------------|--------------|--------------|
| | A | B | A | B |
| -02 | (21.59) .850 | (12.24) .482 | (21.59) .850 | (12.24) .482 |
| -03 | (11.63) .458 | (2.29) .090 | (12.34) .486 | (3.00) .118 |

ALSO AVAILABLE (MOQ Required)

- Other platings



Due to technical progress, all designs, specifications and components are subject to change without notice.

WWW.SAMTEC.COM

All parts within this catalog are built to Samtec's specifications.

Customer specific requirements must be approved by Samtec and identified in a Samtec customer-specific drawing to apply.