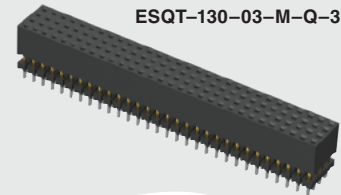


PTHF-130-02-GF-Q-368



ESQT-130-03-M-Q-368

(2.00 mm) .0787"

ESQT (-368), PTHF SERIES

PC/104-PLUS™ SELF-NESTING SOCKETS

SPECIFICATIONS

For complete specifications and recommended PCB layouts see www.samtec.com?ESQT or www.samtec.com?PTHF

Insulator Material:
Black Liquid Crystal Polymer (ESQT)
Black High Temp Nylon (PTHF)

Contact Material:
Phosphor Bronze

Plating:

Au or Sn over

50 μm (1.27 μm) Ni

Operating Temp Range:
-55 °C to +125 °C

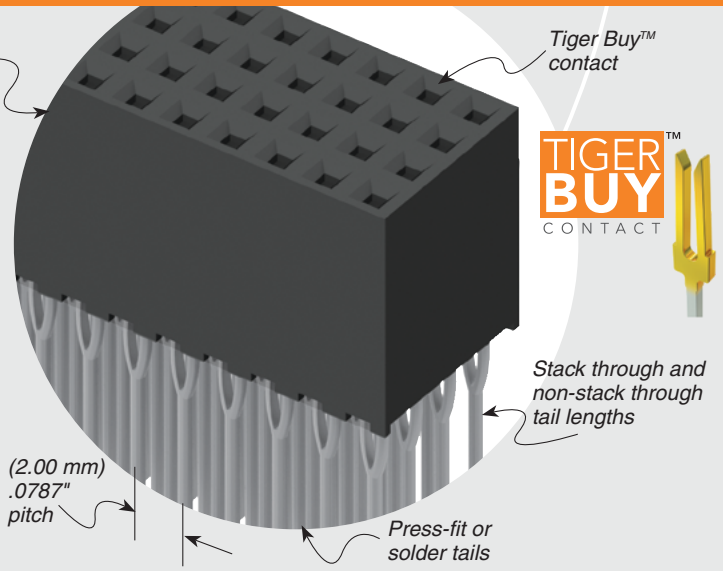
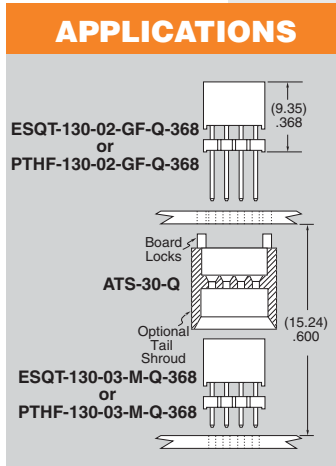
Normal Force:
60 grams (0.59 N) average

Max Cycles:
100 with 10 μm (0.25 μm) Au

RoHS Compliant:

Yes
Lead-Free Solderable:
Yes (ESQT)

Mates with:
ESQT, PTHF



RECOGNITIONS

For complete scope of recognitions see www.samtec.com/quality

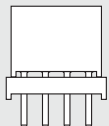


TOOLING

- Press-Fit CAT-PT-PT-130-A-4

For more information, visit www.samtec.com/tooling

OTHER SOLUTIONS

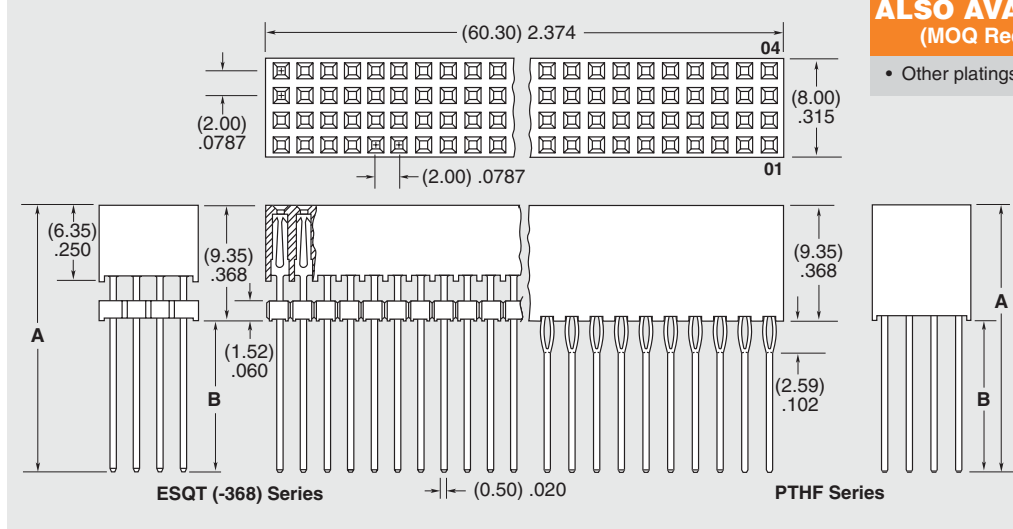


Paste In Hole (PIH) processing. Contact Samtec ASP Group. (Not recommended for stack through applications) ESQT only.

Note: Some lengths, styles and options are non-standard, non-returnable.

TYPE STRIP	1	NO. PINS PER ROW	30	LEAD STYLE	Specify LEAD STYLE from chart	PLATING OPTION	-GF	Q	368
ESQT = Solder Tails						-GF = 15 μm (0.38 μm) Gold on contact, Gold flash on tail (-02 Lead Style only)			
PTHF = Press-fit Tails						-M = 20 μm (0.51 μm) Gold on contact, Matte Tin on tail (-03 Lead Style only)			

LEAD STYLE	ESQT		PTHF	
	A	B	A	B
-02	(21.59) .850	(12.24) .482	(21.59) .850	(12.24) .482
-03	(11.63) .458	(2.29) .090	(12.34) .486	(3.00) .118



ALSO AVAILABLE (MOQ Required)

- Other platings

Due to technical progress, all designs, specifications and components are subject to change without notice.