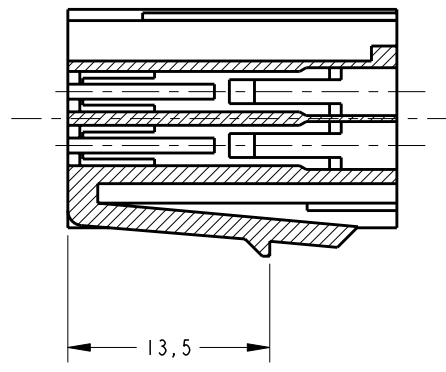
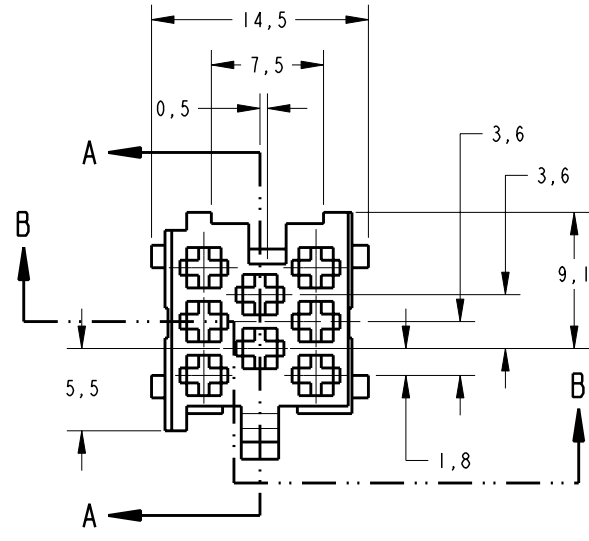
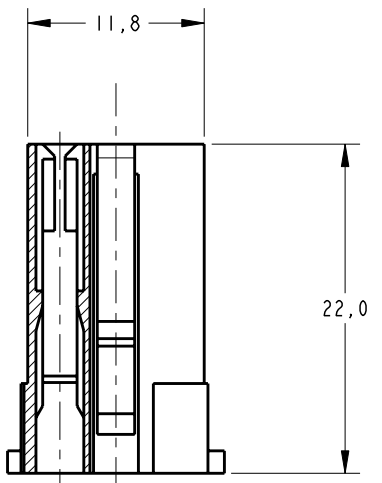
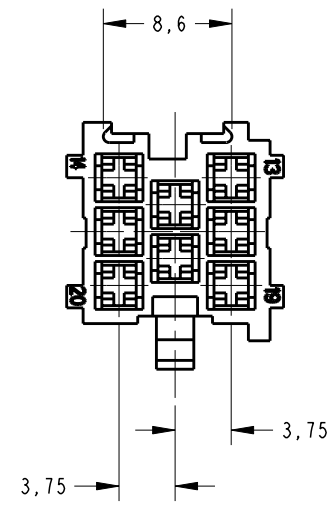


THIS DRAWING IS UNPUBLISHED. RELEASED FOR PUBLICATION
 © COPYRIGHT 20 ALL RIGHTS RESERVED.

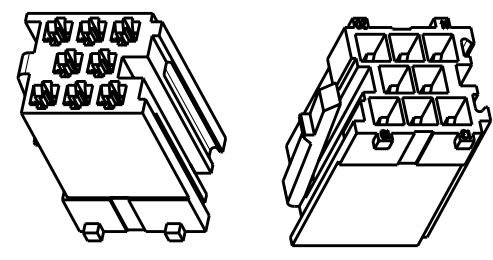
| LOC | DIST | REVISIONS | | | |
|-----|------|-------------------------------|-----------|-----|------|
| P | LTR | DESCRIPTION | DATE | DWN | APVD |
| AP | - | B CHANGE STATUS ECO-11-009151 | 19MAY2011 | NCL | MG |



SECTION A-A



SECTION B-B



PERSPECTIVE VIEW
SCALE 2:1

| |
|--|
| GRAVAÇÃO MARKING |
| NOMENCLATURA MATERIAL MATERIAL NOMENCLATURE |
| NÚMERO CAVIDADE CAVITY NUMBER |
| IDENTIFICAÇÃO CIRCUITO CIRCUIT IDENTIFICATION |
| REV+ LETRA REV.DA PEÇA REV.+ PART REV.LETTER |

| | | | |
|--|--|-------------------------------|---------------|
| RAW MAT'L NO | AZUL / BLUE | PBT | 493487-2 |
| FINISH | MATERIAL | PART NUMBER | |
| THIS DRAWING IS A CONTROLLED DOCUMENT. | | TE Connectivity | |
| DIMENSIONS: mm | TOLERANCES UNLESS OTHERWISE SPECIFIED: | NAME | |
| 0 PLC ± | 1 PLC ±0,3 | HOUSING, 8 POSN., MICRO TIMER | |
| 2 PLC ±0,2 | 3 PLC ± | SIZE | CAGE CODE |
| 4 PLC ± | ANGLES ±1° | A2 | 00779 |
| MATERIAL | FINISH | DRAWING NO | RESTRICTED TO |
| SEE TABLE | SEE TABLE | ©-493487 | - |
| CUSTOMER DRAWING | | SCALE | SHEET |
| | | 3:1 | OF |
| | | | REV B |