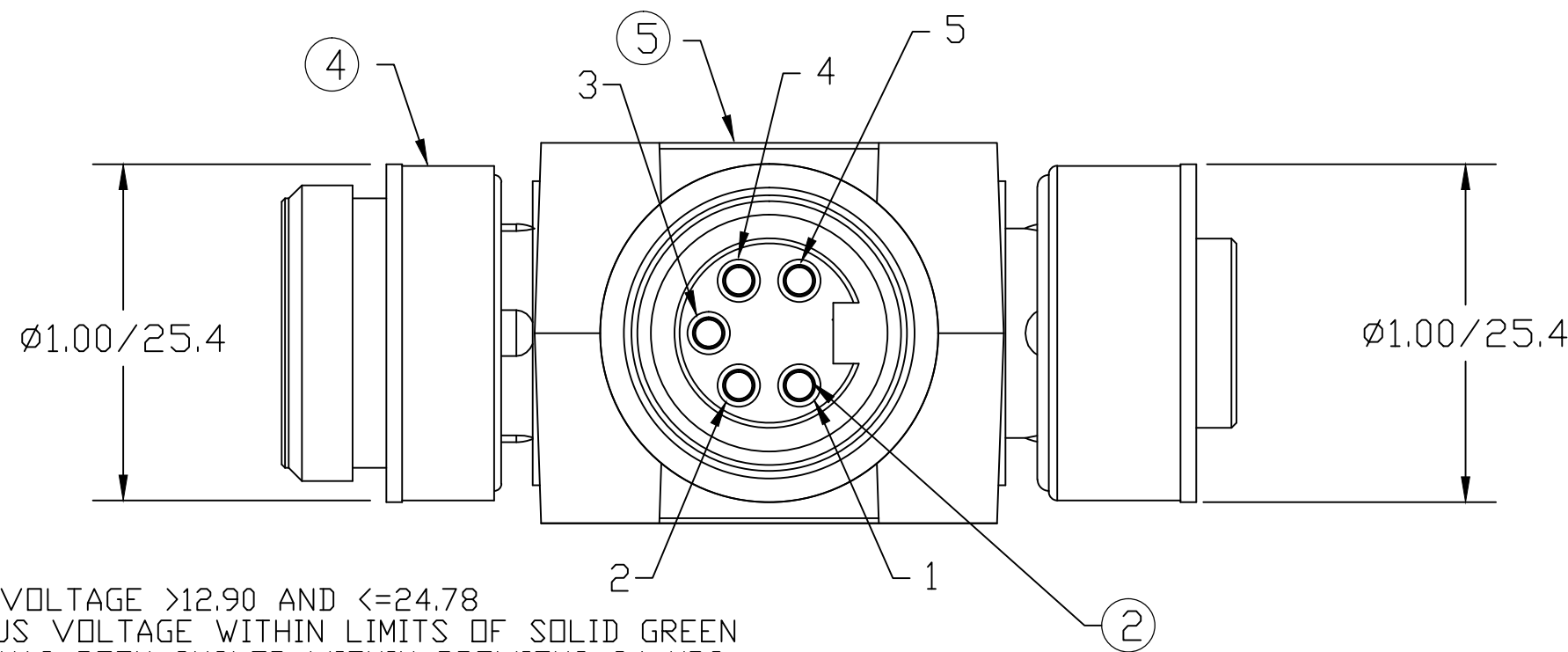
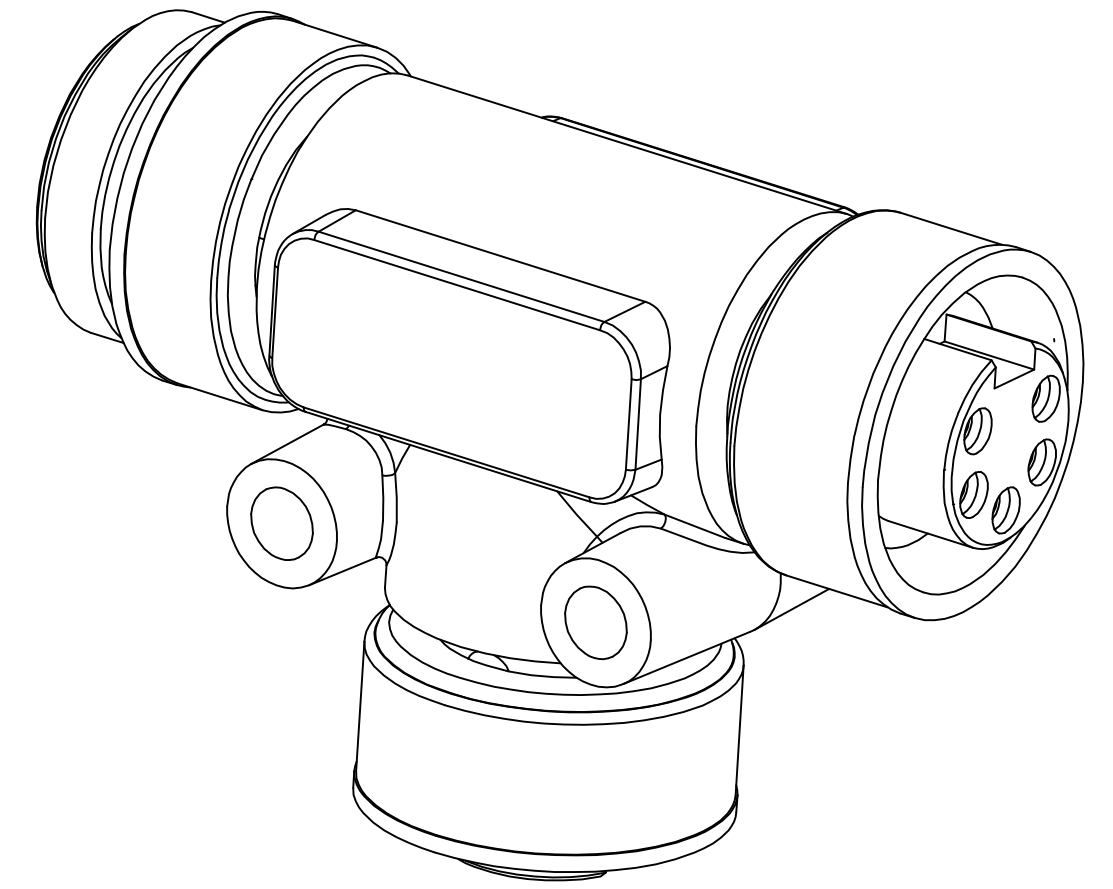
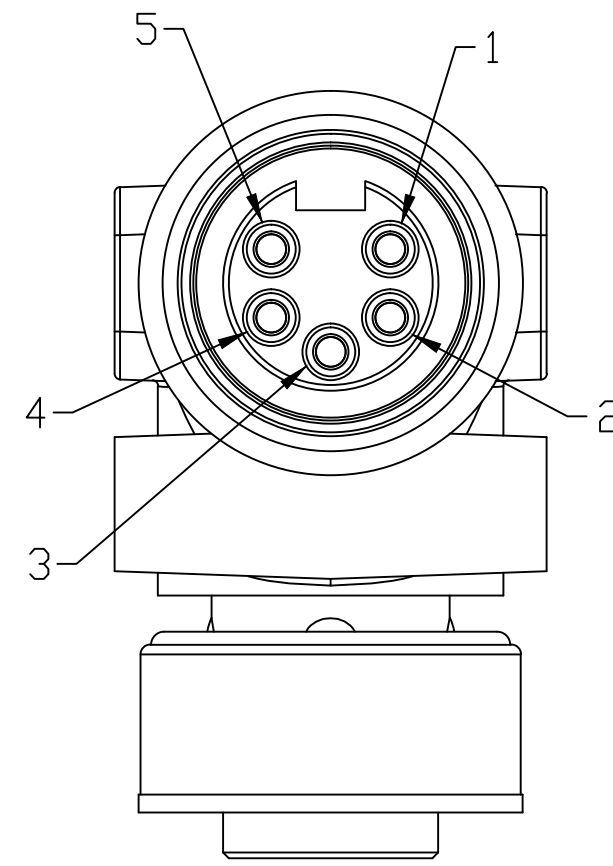
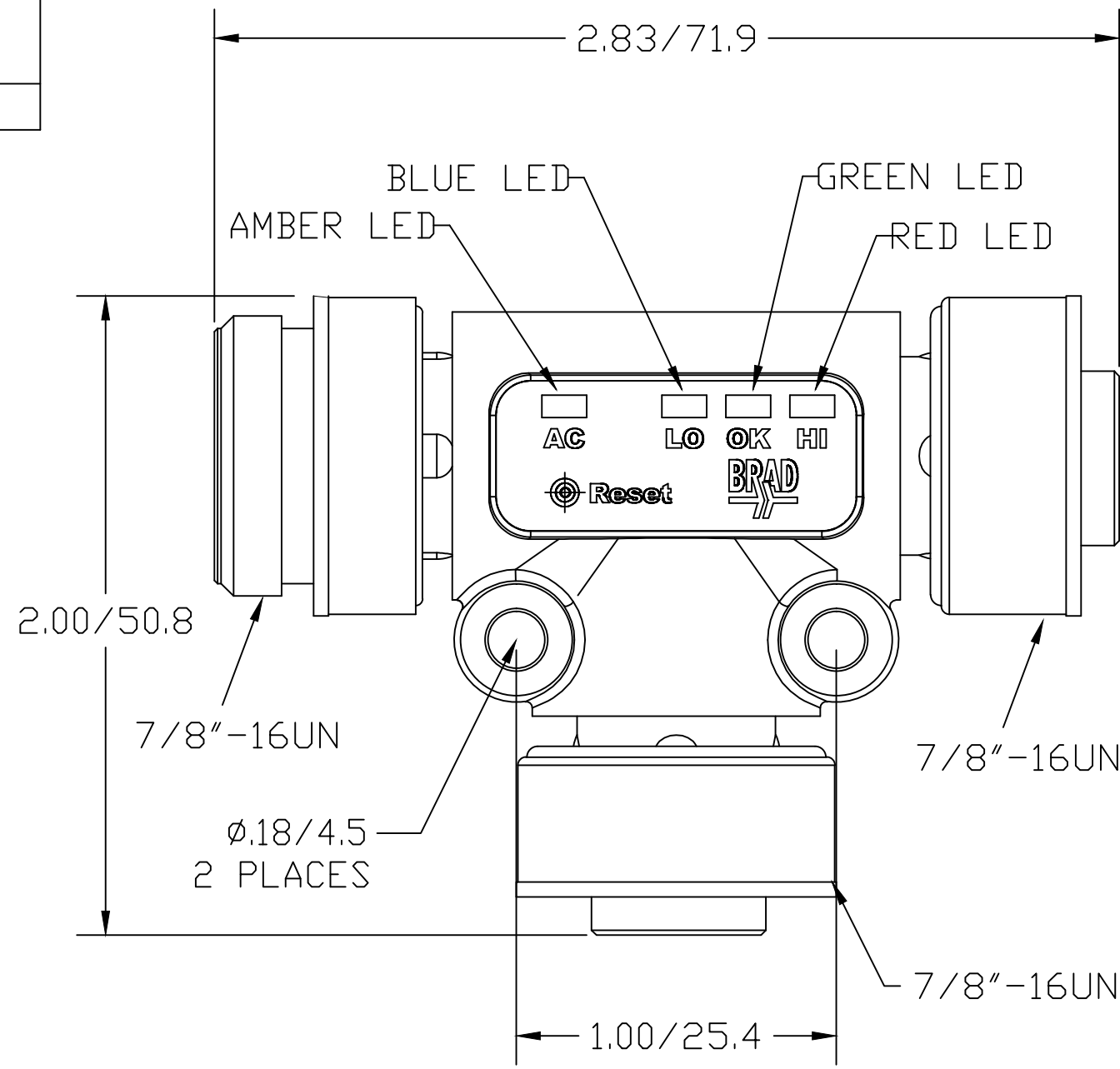
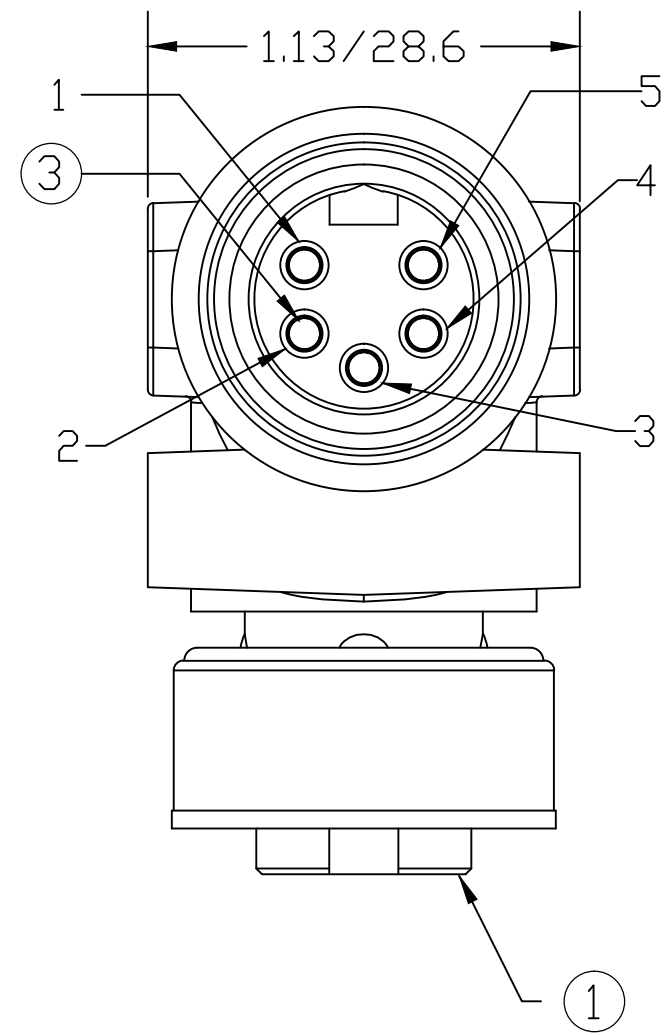
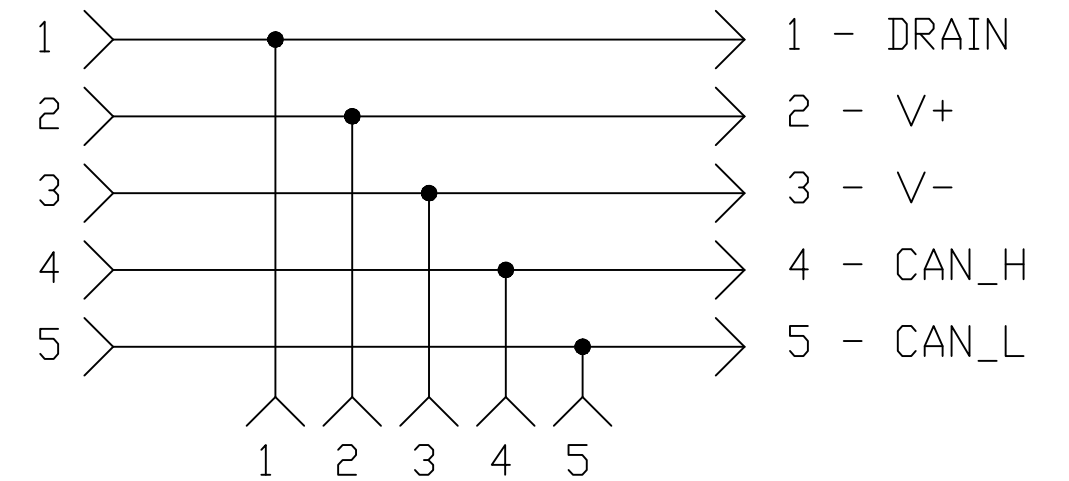


MATERIAL NUMBER	OLD PART NUMBER
130035-0060	DN3020PM-1



SCHEMATIC



LED FUNCTIONALITY:  
 SOLID GREEN LED = BUS VOLTAGE >12.90 AND <=24.78  
 FLASHING GREEN LED = BUS VOLTAGE WITHIN LIMITS OF SOLID GREEN OPERATION, BUT POWER HAS BEEN CYCLED WITHIN PREVIOUS 24 HRS  
 FLICKERING RED LED = BUS VOLTAGE >24.78 (GREATER THAN 25.3 TO GUARANTEE DETECTION)  
 FLASHING RED LED = BUS VOLTAGE >24.78 (25.3) WITHIN PREVIOUS 24 HRS  
 FLICKERING BLUE LED = BUS VOLTAGE <12.90 (12.4)  
 FLASHING BLUE LED = BUS VOLTAGE <12.90 (12.4) WITHIN PREVIOUS 24 HRS  
 FLICKERING AMBER LED = BUS VOLTAGE HAS A REPEATED TRANSIENT VOLTAGE (BETWEEN 10Hz AND 250Hz) PRESENT THAT EXCEEDS THE DETECTION THRESHOLD (THRESHOLD LEVEL VARIES BY FREQUENCY)  
 FLASHING AMBER LED = BUS VOLTAGE HAS EXPERIENCED A TRANSIENT OR RIPPLE AS SPECIFIED FOR FLICKERING AMBER CONDITION WITH PREVIOUS 24 HRS)

VOLTAGE RATING	30 VDC
PROTECTION	IP67
OPERATING TEMPERATURE	-20°C TO 80°C
UL CERTIFICATIONS	UL RECOGNIZED, FILE NO. E152210
CSA CERTIFICATIONS	CSA CERTIFIED, FILE NO. LR6837

ITEM	COMPONENT	MATERIAL	FINISH
1	INSERT	TPE	GRAY
2	CONTACT SOCKET	COPPER ALLOY	GOLD OVER NICKEL
3	CONTACT PIN	COPPER ALLOY	GOLD OVER NICKEL
4	COUPLING NUT	ZINC DIE CAST	BLACK E-COATED
5	OVERMOLD	TPE	GRAY

2.00/50.8 WAS 2.83/71.9	QUALITY SYMBOL
EC NO.: IFC2014-0219	▽=0
DRWN: KJOZWIK 2013/08/01	▽C=0
CHKD: YOU	DESCRIPTION
APPR: JFMURPHY	REV

GENERAL TOLERANCES (UNLESS SPECIFIED)	
	mm INCH
4 PLACES	±--- ±---
3 PLACES	±--- ±---
2 PLACES	±--- ±.01
1 PLACE	±0.3 ±---
ANGULAR ±.5°	
DRAFT WHERE APPLICABLE MUST REMAIN WITHIN DIMENSIONS	

DIMENSION STYLE INCH/MM	
DRAWN BY	DATE
KJOZWIK	2013/08/01
CHECKED BY	DATE
VOU	2013/08/01
APPROVED BY	DATE
----	----
MATERIAL NO.	1300350060
SIZE	C

SCALE 1:1	DESIGN UNITS INCH	THIRD ANGLE PROJECTION
TITLE DNET POWER MONITOR TEE DEVCENET		
MOLEX INCORPORATED		
MATERIAL NO. 1300350060	DOCUMENT NO. SD-130035-005	SHEET NO. 1 OF 1
THIS DRAWING CONTAINS INFORMATION THAT IS PROPRIETARY TO MOLEX INCORPORATED AND SHOULD NOT BE USED WITHOUT WRITTEN PERMISSION		