

PLEASE CHECK WWW.MOLEX.COM FOR LATEST PART INFORMATION

Part Number: [1300680017](#)
Status: **Active**
Overview: [BradPower Cordsets and Receptacles](#)
Description: BradPower D-Size (1 3/8"-M35) DC Male to Micro-Change Female Pass Thru, 3-Pole

Documents:

[Drawing \(PDF\)](#) [RoHS Certificate of Compliance \(PDF\)](#)

Agency Certification

UL E258922

General

Product Family Field Attachable / Accessories
 Series [130068](#)
 IP Rating IP67
 Material - Contact Copper Alloy
 Overview [BradPower Cordsets and Receptacles](#)
 Product Name BradPower D-Size
 Type Gender Changer
 UPC 78678857717

Physical

Cable Diameter N/A
 Coupling Type Internal Thread
 Diagnostics / LEDs No
 Diagnostics Port No
 Gender Male-Female
 Keyway Dual
 Material - Connector Body PVC
 Material - Coupling Nut Black Epoxy Coated Zinc
 Material - Plating Mating Gold
 Orientation Straight
 Poles 3
 Temperature Range - Operating -20°C to +90°C
 Wire Size AWG N/A

Electrical

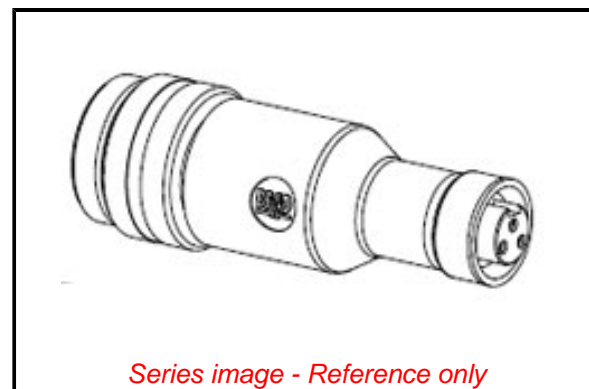
Current - Maximum per Contact 15.0A
 Voltage - Maximum 600V DC

Material Info

Engineering Number 1C3130-001

Reference - Drawing Numbers

Sales Drawing SD-130068-002



EU ELV

Not Relevant

EU RoHS

Not Reviewed

REACH SVHC

Not Reviewed

Halogen-Free

Status

Not Reviewed

For more information, please visit [Contact US](#)

China ROHS

Not Reviewed

ELV

Not Relevant

RoHS Phthalates

Not Reviewed

Search Parts in this Series

[130068 Series](#)