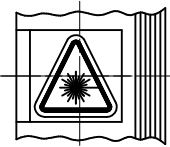
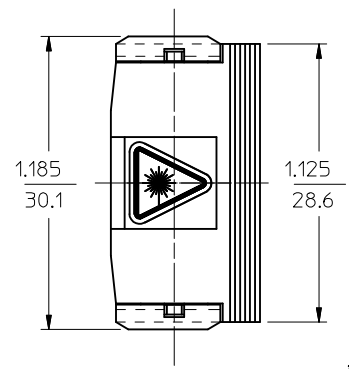


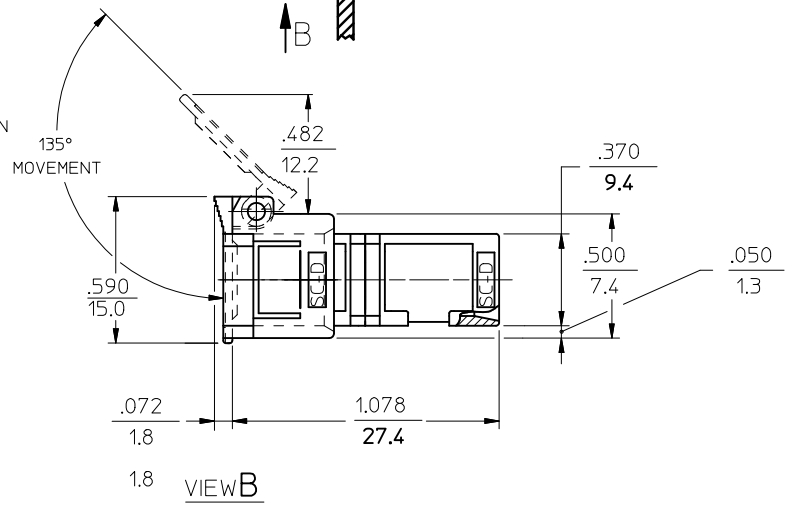
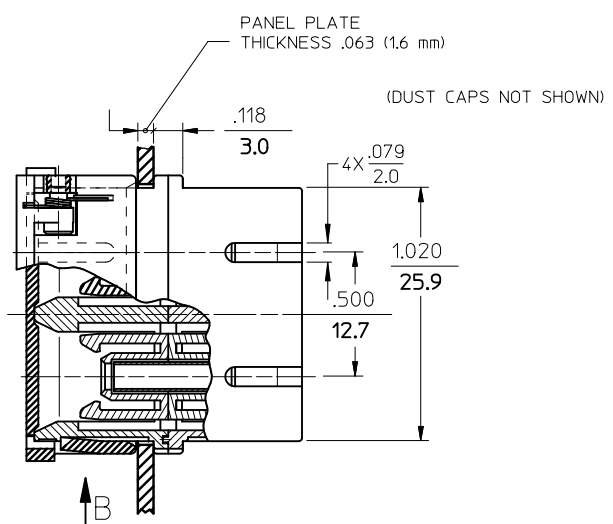
10 9 8 7 6 5 4 3 2 1



VIEW A  
VARIATION 1  
FOR LABEL INSTALLATION

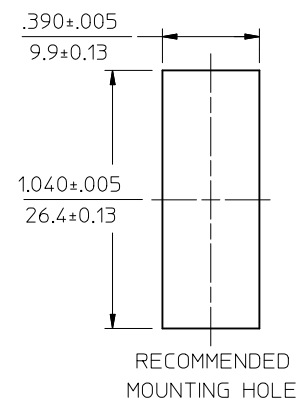


VIEW A  
VARIATION 2  
FOR LABEL INSTALLATION



VIEW B

P/N OF ADAPTER	MATERIAL OF SLEEVE	TYPE	COLOR
106166-0600	ZR	SINGLE MODE	BLUE
106167-0600	PHOSPHOR BRONZE		
106166-0610	ZR	MULTIMODE	BEIGE
106167-0610	PHOSPHOR BRONZE		
106166-0630	ZR		
106167-0630	PHOSPHOR BRONZE		
106166-0650	ZR	APC	GREEN
106167-0650	PHOSPHOR BRONZE	MULTIMODE	AQUA
106167-0620			



NOTES:

- LABEL MUST BE INSTALLED AND ORIENTED BY CUSTOMER. (SEE VIEW A)
- DUST CAPS AND MOUNTING PLATE ARE NOT SHOWN BUT INCLUDED. MOUNTING PLATE IS PACKED WITH ADAPTER AND INSTALLED BY A CUSTOMER.

ENTER DESCRIPTION	QUALITY SYMBOLS
EC NO: MF2011-0258	▽=0
DRWN:KPEVZNER 2010/12/08	▽=0
CHKD:	
APPR:WCHEN 2010/12/09	
REV	

GENERAL TOLERANCES (UNLESS SPECIFIED)	
4 PLACES	± --- ± ---
3 PLACES	± --- ± ---
2 PLACES	± --- ± ---
1 PLACE	± --- ± ---
ANGULAR ±1/2°	
DRAFT WHERE APPLICABLE MUST REMAIN WITHIN DIMENSIONS	

DIMENSION STYLE	
IN/MM	
DRAWN BY	DATE
KPEVZNER	2010/09/30
CHECKED BY	DATE
APPROVED BY	DATE
WCHEN	2010/12/09
MATERIAL NO.	
SEE TABLE	
SIZE	B

SCALE	4:1	DESIGN UNITS	INCH	THIRD ANGLE PROJECTION
TITLE				
SC DUPLEX ADAPTER WITH SHIELD				
MOLEX INCORPORATED				
DOCUMENT NO.				SHEET NO.
SD-10616X-06X0				1 OF 1
THIS DRAWING CONTAINS INFORMATION THAT IS PROPRIETARY TO MOLEX INCORPORATED AND SHOULD NOT BE USED WITHOUT WRITTEN PERMISSION				

9 8 7 6 5 4 3 2 1