

THIS DRAWING IS UNPUBLISHED. RELEASED FOR PUBLICATION 2011
 © COPYRIGHT 2011 BY - ALL RIGHTS RESERVED.

| LOC | | DIST | | REVISIONS | | | |
|-----|-----|-------------------------------|--|-----------|-----|------|--|
| P | LTR | DESCRIPTION | | DATE | DWN | APVD | |
| 2 | | UPDATED | | 02MAY2011 | AB | GT | |
| 3 | | UPDATED | | 22JUL2013 | MZ | JC | |
| A | | PARTS RELEASED FOR PRODUCTION | | 14NOV2013 | MZ | JC | |
| B | | ECR-15-011011 | | 27JUL2015 | RS | PO | |



- NOTES:
- 1 MATERIAL: PA GF (NATURAL AND BLACK COLOUR)
 - 2 ALL POLARIZATION KEYS SHOWN FOR REF ONLY
 - 3 WAYS I.D.
 - 4 CURRENT RATING
 - 5 VOLTAGE RATING
 - 6 TE LOGO
 - 7 TE PART NUMBER
 - 8 DATA CODE AND CAVITY I.D.
 - 9 AREA FOR AGENCIES APPROVAL LOGO
 - 10) SEE C-DRAWING 293682 (LOCKING CAP) TO GET IP 40
 - 11 IP CODE
 - 12 SLOTS TO ALLOW DELATCHING TOOL OPERATION. FOR DELATCHING TOOL AND OPERATION REFER TO APPLICATION SPECIFICATION



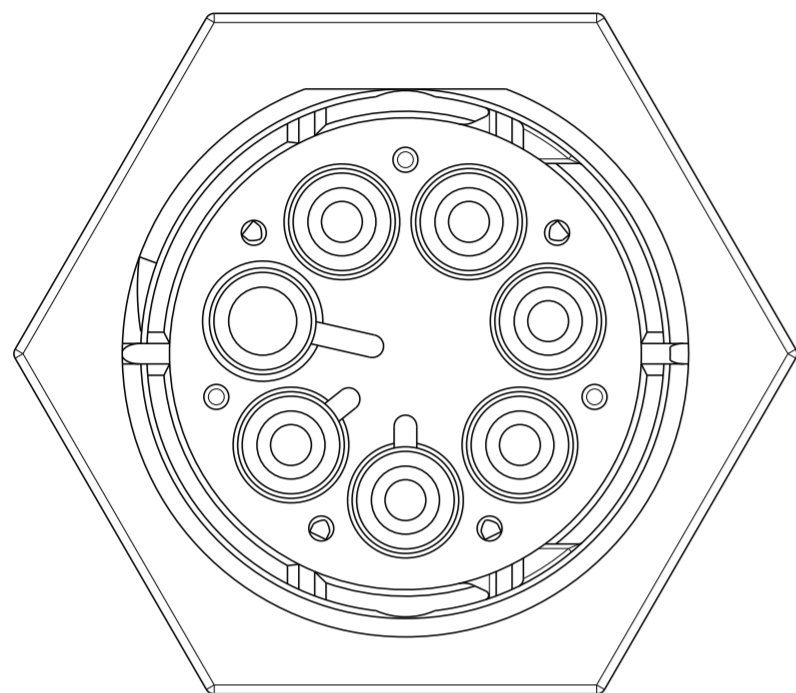
| | | | | | |
|--|--|---------------------------------|---|-------------------|------------------------|
| THIS DRAWING IS A CONTROLLED DOCUMENT. | | DWN A. BERNARDI 31MAR2011 |  TE Connectivity | | |
| DIMENSIONS: mm | | CHK M. ZUCCA 31MAR2011 | | | |
| TOLERANCES UNLESS OTHERWISE SPECIFIED: | | APVD G. TURCO 31MAR2011 | NAME SKT HOUSING 7 POLES PANEL MOUNT NECTOR M-LINE UNSEALED VERSION | | |
| 0 PLC ± 1 PLC ±0.3 2 PLC ±0.20 3 PLC ± 4 PLC ± | | PRODUCT SPEC - | SIZE A2 | CAGE CODE 0779 | DRAWING NO C-293773 |
| MATERIAL | | APPLICATION SPEC - | RESTRICTED TO - | SCALE 3:1 | |
| NOTE 1 | | WEIGHT - | SHEET 1 OF 3 | | REV B |
| | | Customer Drawing | | | |

THIS DRAWING IS UNPUBLISHED. RELEASED FOR PUBLICATION 2011
 © COPYRIGHT 2011 BY - ALL RIGHTS RESERVED.

| LOC | | DIST | | REVISIONS | | | |
|-----|-----|-------------|------|-----------|------|--|--|
| P | LTR | DESCRIPTION | DATE | DWN | APVD | | |
| - | - | SEE SHEET 1 | - | - | - | | |
| | | | | | | | |
| | | | | | | | |

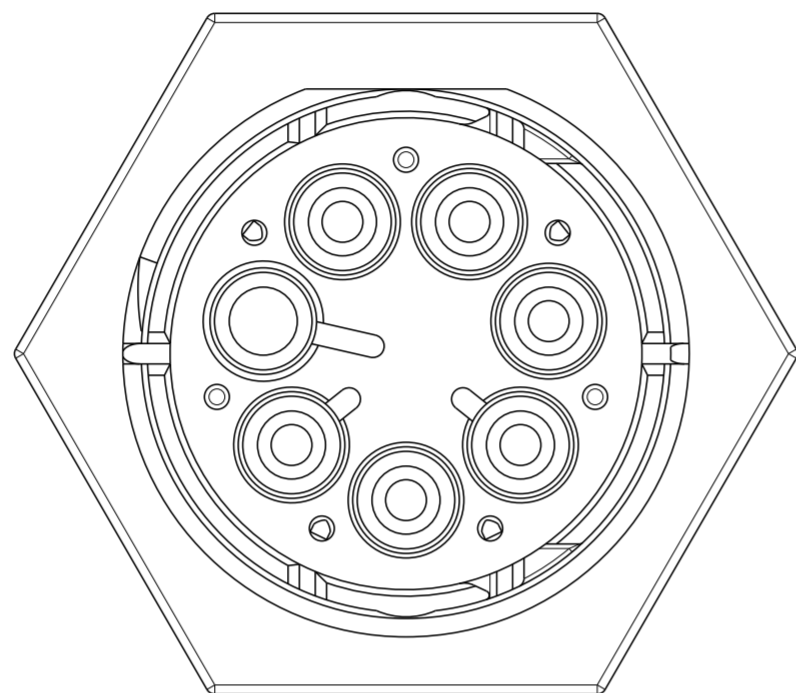
POLARIZATION TYPES

POLARIZATION TYPE "A"



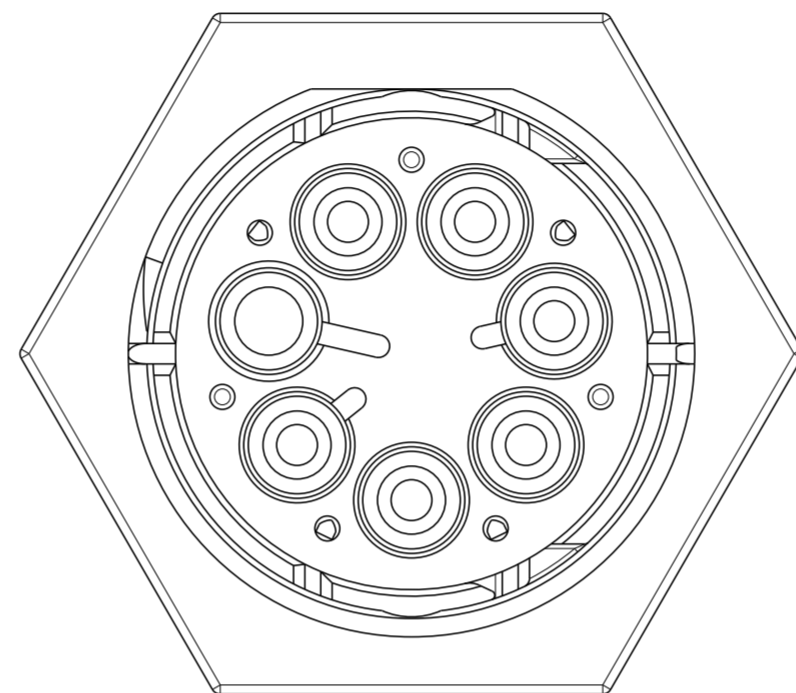
PNs 0-293773-1 AND
1-293773-1

POLARIZATION TYPE "B"



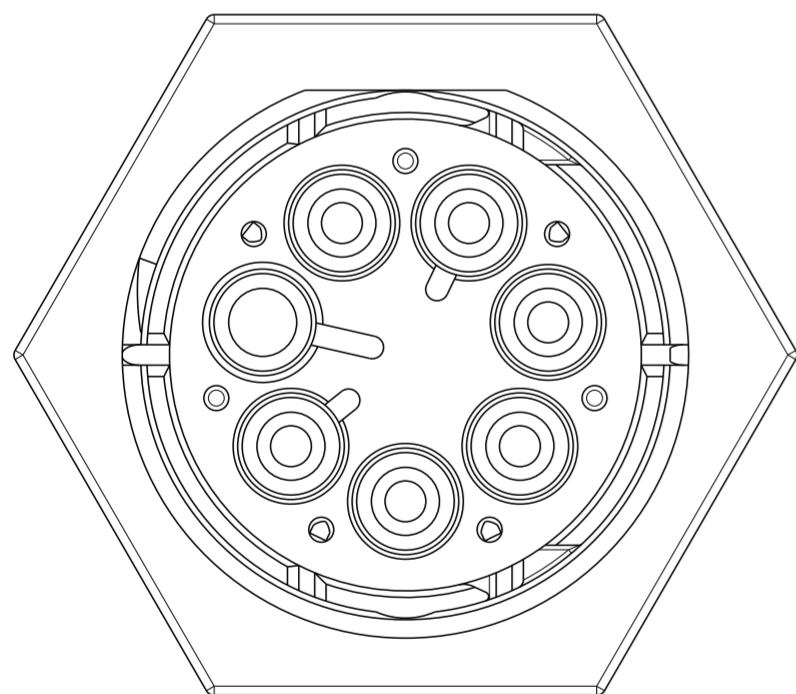
PNs 0-293773-2 AND
1-293773-2

POLARIZATION TYPE "C"



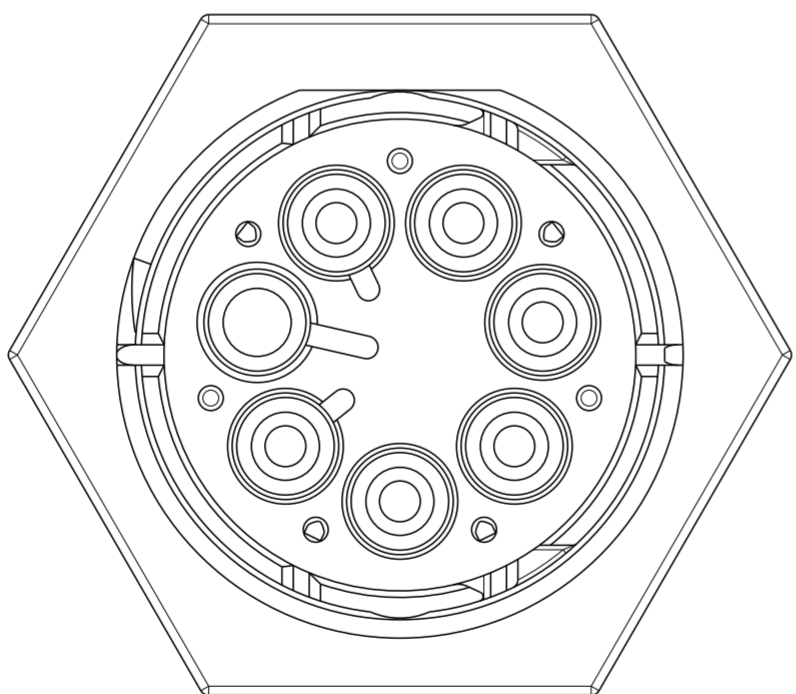
PNs 0-293773-3 AND
1-293773-3

POLARIZATION TYPE "D"



PNs 0-293773-4 AND
1-293773-4

POLARIZATION TYPE "E"



PNs 0-293773-5 AND
1-293773-5

TABLE 1

| NOTE | POL. KEYING | COLOUR | DESCRIPTION | REV. | P/N |
|------|-------------|---------|---|------|------------|
| 1 | E | BLACK | SOCKET HSG 7 POLES PANEL MOUNT NECTOR* M-LINE | A | 1-293773-5 |
| 1 | D | BLACK | SOCKET HSG 7 POLES PANEL MOUNT NECTOR* M-LINE | A | 1-293773-4 |
| 1 | C | BLACK | SOCKET HSG 7 POLES PANEL MOUNT NECTOR* M-LINE | A | 1-293773-3 |
| 1 | B | BLACK | SOCKET HSG 7 POLES PANEL MOUNT NECTOR* M-LINE | A | 1-293773-2 |
| 1 | A | BLACK | SOCKET HSG 7 POLES PANEL MOUNT NECTOR* M-LINE | A | 1-293773-1 |
| 1 | E | NATURAL | SOCKET HSG 7 POLES PANEL MOUNT NECTOR* M-LINE | A | 0-293773-5 |
| 1 | D | NATURAL | SOCKET HSG 7 POLES PANEL MOUNT NECTOR* M-LINE | A | 0-293773-4 |
| 1 | C | NATURAL | SOCKET HSG 7 POLES PANEL MOUNT NECTOR* M-LINE | A | 0-293773-3 |
| 1 | B | NATURAL | SOCKET HSG 7 POLES PANEL MOUNT NECTOR* M-LINE | A | 0-293773-2 |
| 1 | A | NATURAL | SOCKET HSG 7 POLES PANEL MOUNT NECTOR* M-LINE | A | 0-293773-1 |

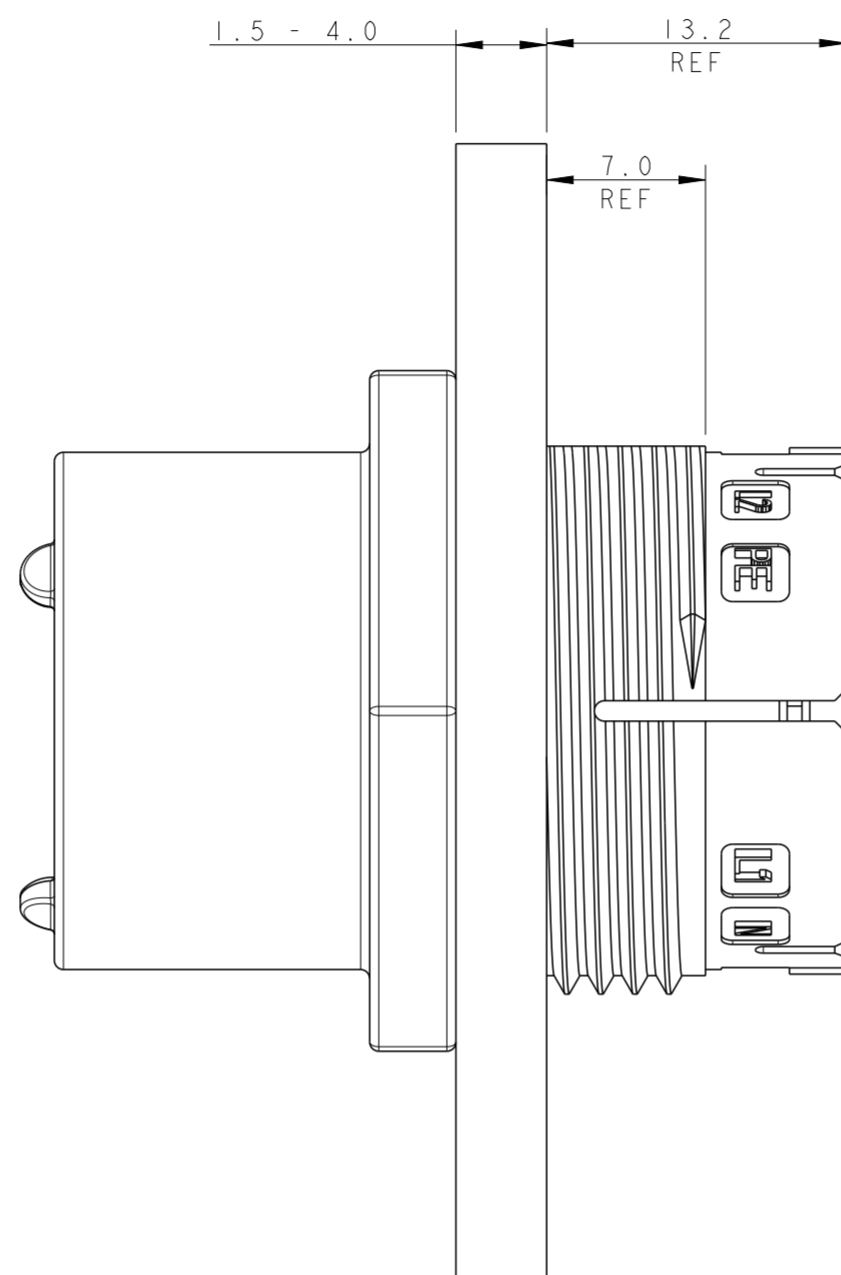
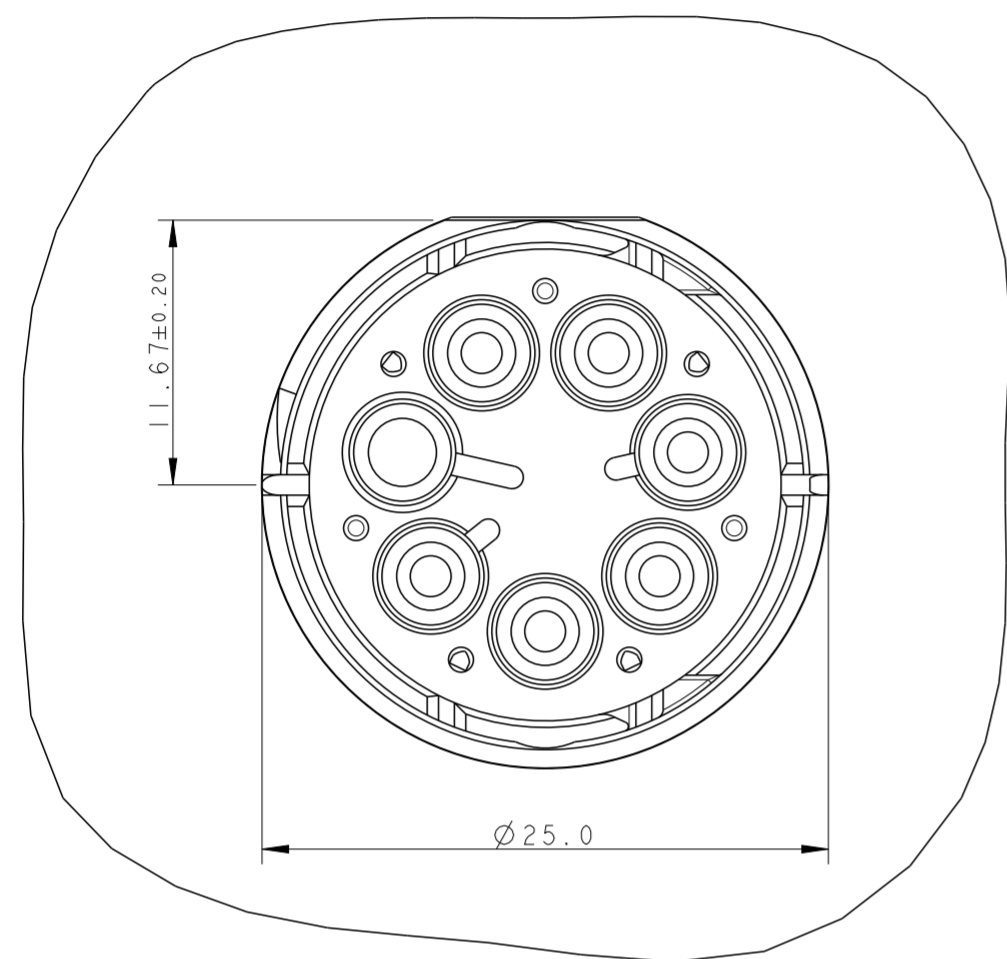
THIS DRAWING IS A CONTROLLED DOCUMENT.

| | | | |
|----------------|--|---|---|
| DIMENSIONS: mm | TOLERANCES UNLESS OTHERWISE SPECIFIED: 0 PLC ± 1 PLC ±0.3 2 PLC ±0.20 3 PLC ± 4 PLC ± ANGLES ±3° FINISH | DWN 31MAR2011 A. BERNARDI CHK 31MAR2011 M. ZUCCA APVD 31MAR2011 G. TURCO PRODUCT SPEC APPLICATION SPEC WEIGHT | TE Connectivity NAME SKT HOUSING 7 POLES PANEL MOUNT NECTOR M-LINE UNSEALED VERSION SIZE CAGE CODE DRAWING NO RESTRICTED TO A200779 C-293773 SCALE 3:1 SHEET 2 OF 3 REV B |
|----------------|--|---|---|

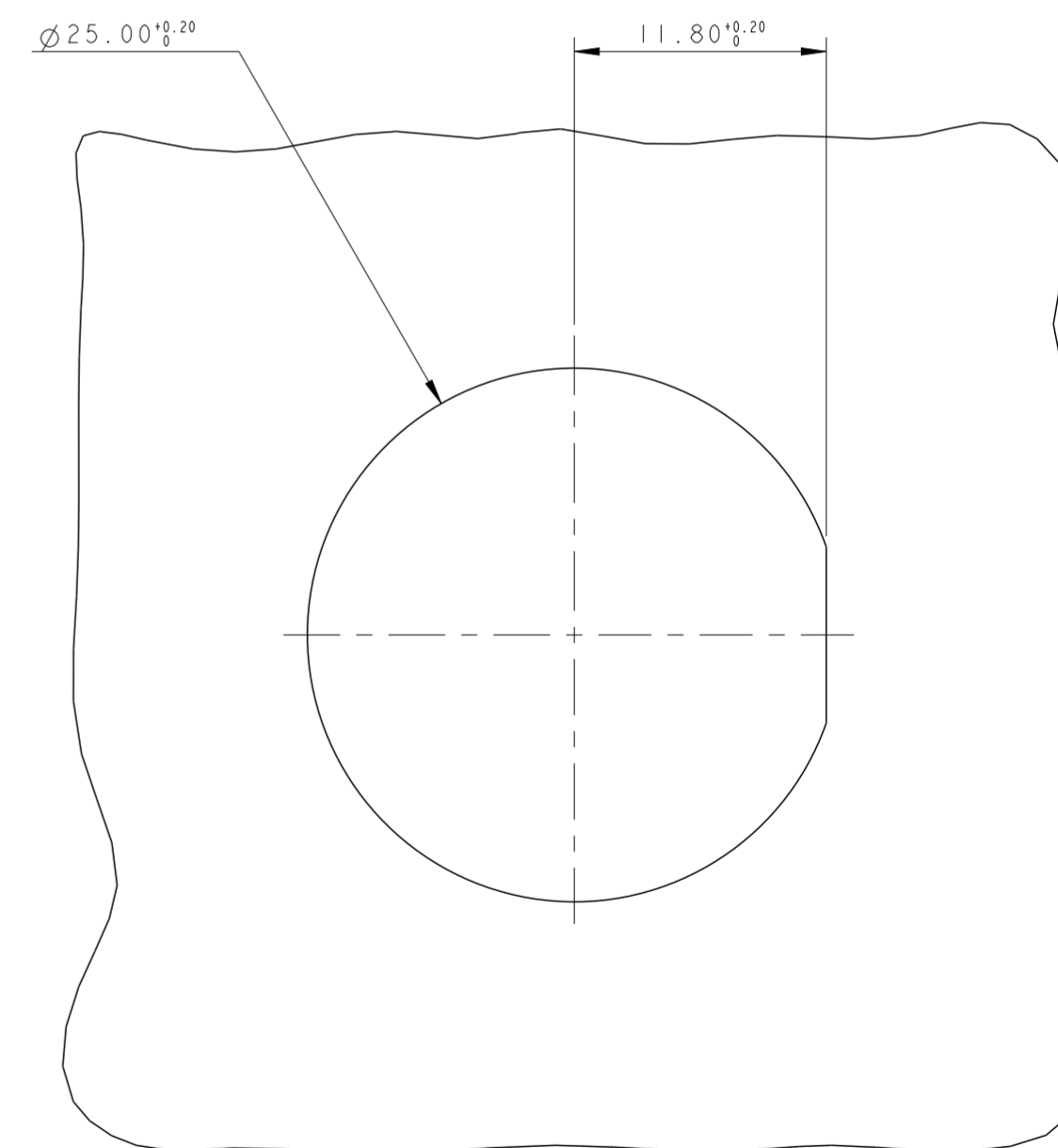
NOTE 1: Customer Drawing

| LOC | | DIST | | REVISIONS | | | |
|-----|-----|-------------|------|-----------|------|--|--|
| P | LTR | DESCRIPTION | DATE | DWN | APVD | | |
| - | - | SEE SHEET 1 | - | - | - | | |
| | | | | | | | |
| | | | | | | | |

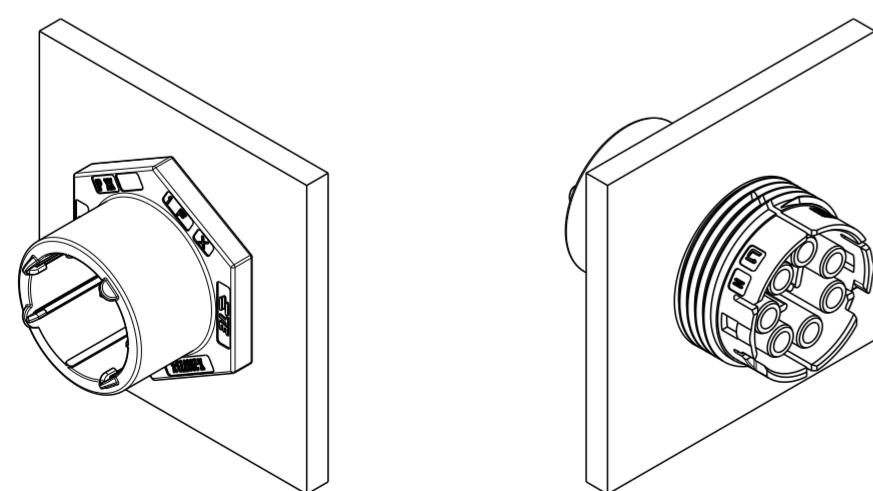
PN 293773-3 AS SHOWN




PANEL/WALL SUGGESTED LAYOUT



3D VIEWS,
FOR REFERENCE ONLY
PN 293773-3 AS SHOWN



| | | | | |
|--|------------|---------------------------------|---|-----------|
| THIS DRAWING IS A CONTROLLED DOCUMENT. | | DWN A. BERNARDI 31MAR2011 |  TE Connectivity | |
| DIMENSIONS: mm | | CHK M. ZUCCA 31MAR2011 | | |
| TOLERANCES UNLESS OTHERWISE SPECIFIED: | | APVD G. TURCO 31MAR2011 | NAME SKT HOUSING 7 POLES PANEL MOUNT NECTOR M-LINE UNSEALED VERSION | |
| 0 PLC ±- | 1 PLC ±0.3 | PRODUCT SPEC | SIZE | CAGE CODE |
| 2 PLC ±0.20 | 3 PLC ±- | APPLICATION SPEC | A200779 | C-293773 |
| 4 PLC ±- | ANGLES ±3° | WEIGHT | SCALE | SHEET |
| FINISH | | Customer Drawing | 3:1 | 3 OF 3 |
| NOTE 1 | | | | REV B |