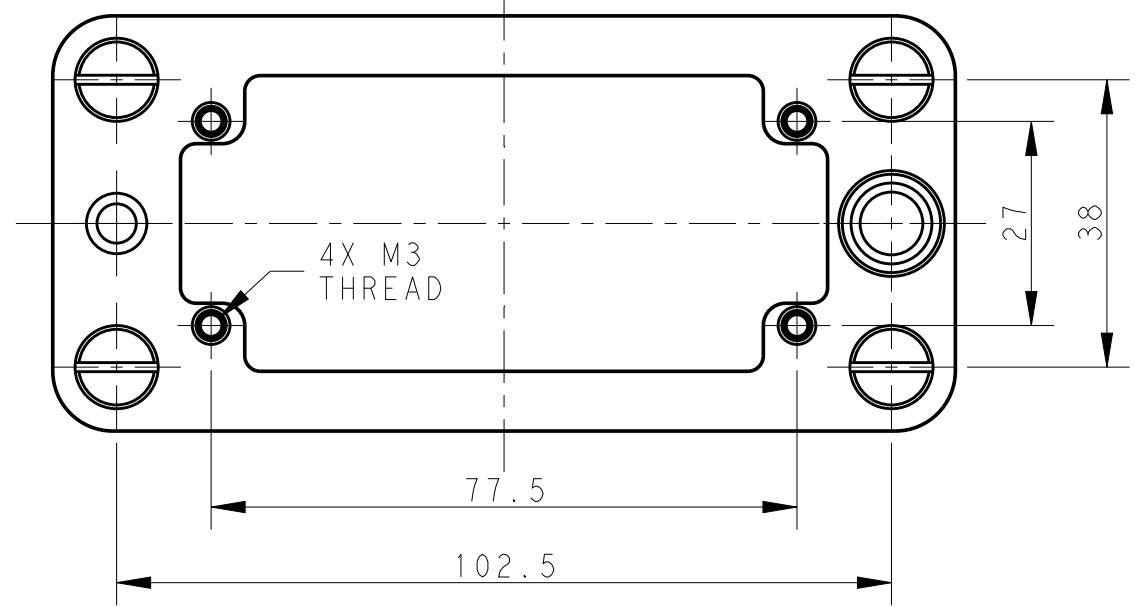


THIS DRAWING IS UNPUBLISHED. RELEASED FOR PUBLICATION 20
 © COPYRIGHT 20 BY - ALL RIGHTS RESERVED.

REVISIONS					
P	LTR	DESCRIPTION	DATE	DWN	APVD
	A	INITIAL	10MAR2016	RL	CW

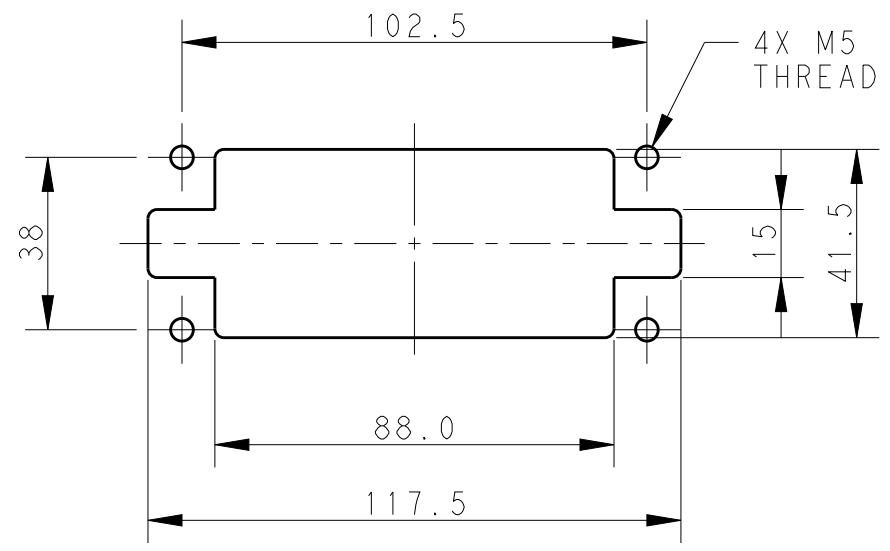
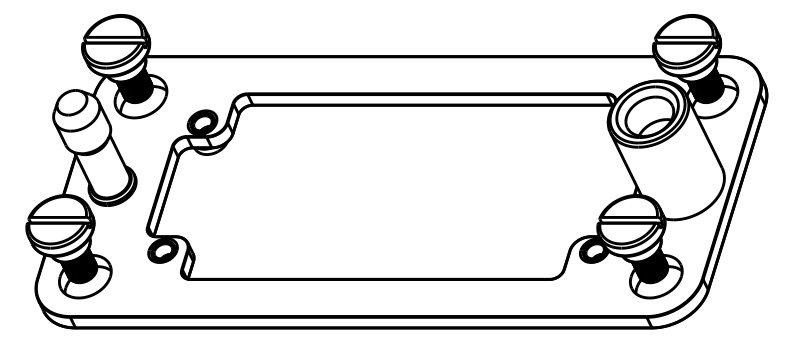
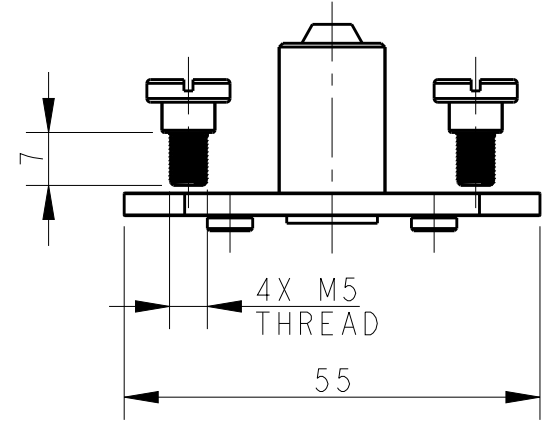
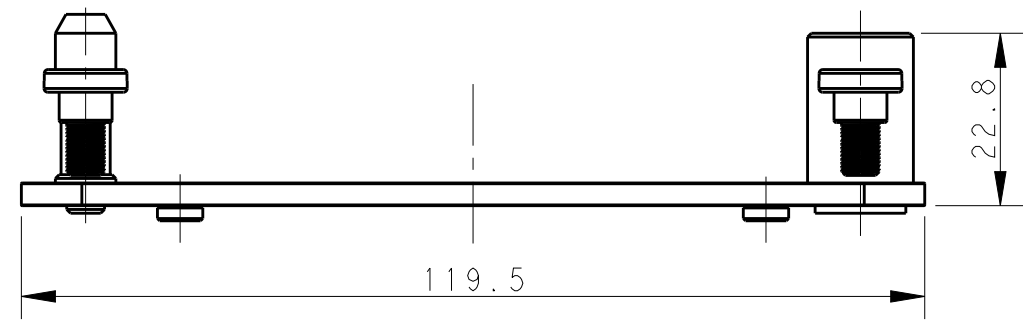


NOTES:

- 1. TECHNICAL CHARACTERISTICS:
 FRAME MATERIAL: SUS 303
 MATING CYCLES: 500
 MATED WITH SIZE H16B INSERT


注释:

- 1. 技术参数:
 框架材料: SUS 303
 插拔次数: 500
 适配H16B大小的芯件



PANNEL CUT OUT FOR H16B-ADK
 H16B对接框架安装开孔尺寸

T2073160001-000	H16B-ADK H16B对接框架
PART NUMBER 料号	PART DESCRIPTION 描述

THIS DRAWING IS A CONTROLLED DOCUMENT.		DWN ROY LIU 10MAR2016	 TE Connectivity NAME H16B-ADK			
DIMENSIONS: mm		CHK KYLE ZENG 10MAR2016				
TOLERANCES UNLESS OTHERWISE SPECIFIED:		APVD CHRIS WANG 10MAR2016				
0 PLC ±- 1 PLC ±- 2 PLC ±- 3 PLC ±- 4 PLC ±- ANGLES ±-		PRODUCT SPEC -				
MATERIAL TBD	FINISH -	APPLICATION SPEC -	SIZE A3	CAGE CODE -	DRAWING NO. ©-T2073160001000	RESTRICTED TO -
CUSTOMER DRAWING			SCALE 1:1	SHEET 1 OF 1	REV A	