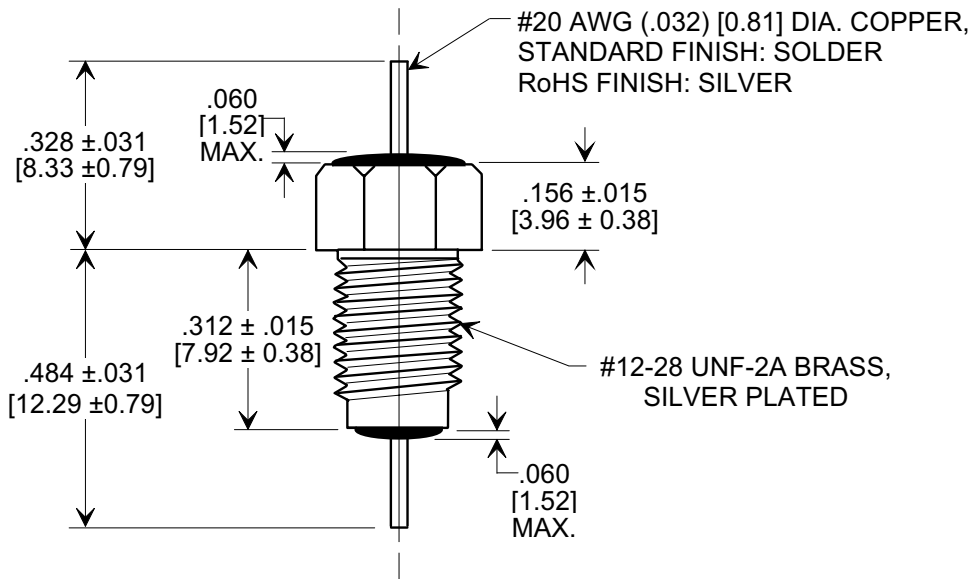
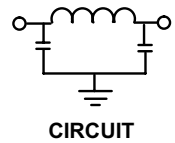
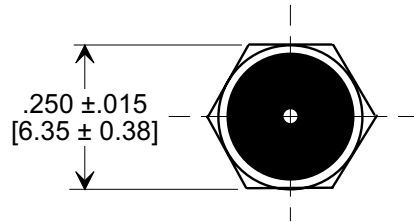
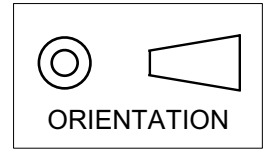


**MARKETING SALES DRAWING**  
**DIMENSIONS IN INCHES - DO NOT SCALE THIS DRAWING**  
**DIMENSIONS IN METRIC - [ ]**

Electrical Testing  
per Tusonix standard  
test plans and Mil-Std-202  
Test Methods.



**NOTES:**

- SUPPLIED WITH SILVER PLATED HEX NUT AND LOCK WASHER.
- TUSONIX STANDARD PART NUMBER: 4202-053.  
TUSONIX RoHS COMPLIANT PART NUMBER: 4202-053 LF.  
CUSTOMER MUST SPECIFY STANDARD OR RoHS PART NUMBER WHEN ORDERING.
- PART MARKING: TRADEMARK AND VARIATION NUMBER ON HEX FLATS.  
STANDARD PART: BLACK INK. RoHS PART: GREEN INK.

MIN. CAP. (pF)	WORKING VOLTAGE (VVdc)		CURRENT (Idc)	I.R. MIN. @ 100 VDC	DWV (VDC)	MINIMUM NO LOAD INSERTION LOSS (dB) AT 25°C PER MIL-STD -220			
	85°C	125 °C				10 MHz	100 MHz	1 GHz	10 GHz
5000	200	100	10 A	10 G	400	20	65	70	70

<b>REVISION RECORD</b> Original Release C.O. <b>20020320-1-01</b> ADDED NOTES 2 & 3. ADDED FINISH TO LEAD & BUSHING. S.M. 05-19-05 <b>20050503-6-27</b> <b>1</b>	<b>--TOLERANCES--</b> Unless Otherwise Specified		Title <b>BUSHING STYLE EMI FILTER</b>	
	DECIMAL ±		Drawn S.M. 03-20-02 Scale 3 X	
	ANGLES ±		Approved T.C. 03-20-02	
	<b>TUSONIX</b> TUCSON, ARIZONA		<b>A</b>	<b>4202-053</b>

X-2015 Rev-0