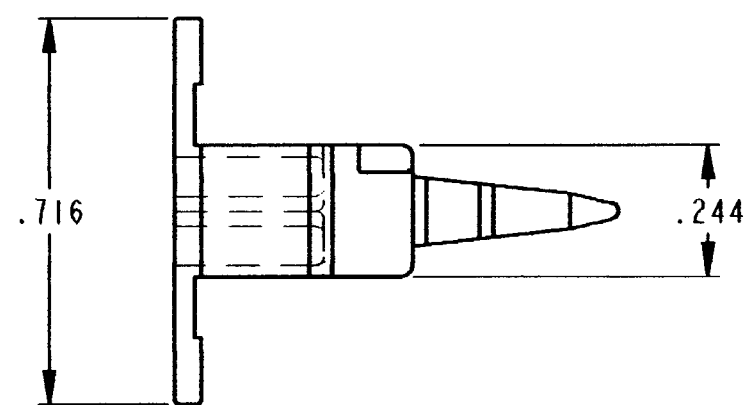
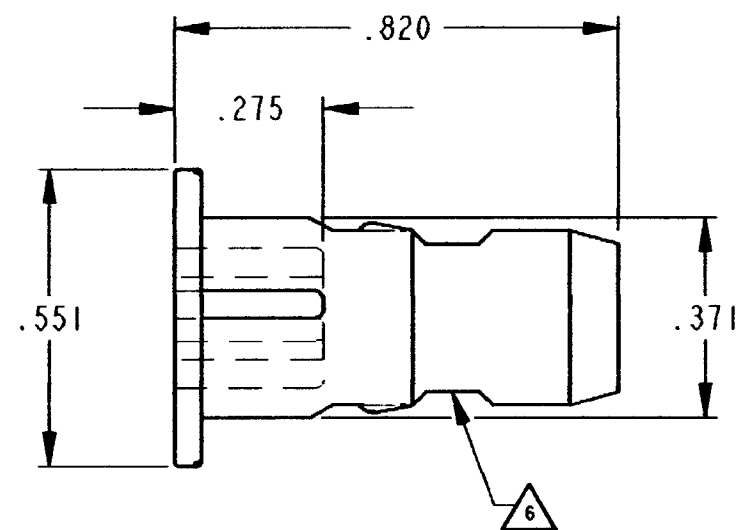
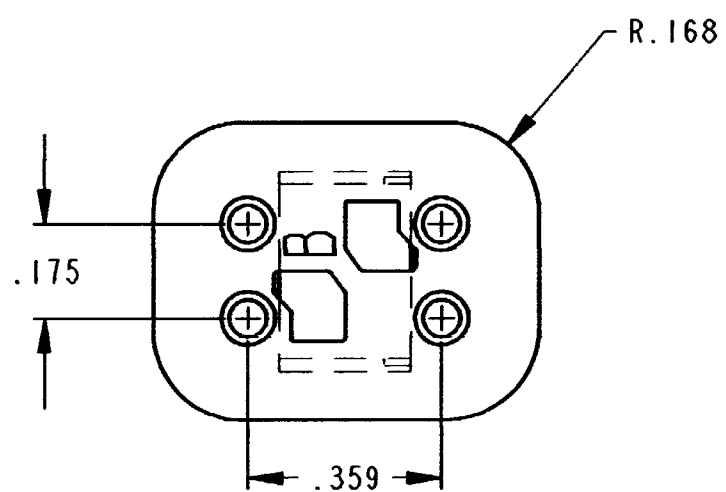


REV  
B

W4SB

REVISIONS

SYM	DESCRIPTION	DATE	APPROVED
NC	NEW RELEASE PER E.O. A14877	8/2/95	R.D.R.
A	REVISED PER E.O. P18246	8/22/03	R.D.R.
B	REVISED PER E.O. P19635	11-5-07	RDR



△ CUTOUT FEATURE OPTIONAL, 2 PLACES.

- 5. WARNING: THIS WEDGE ALSO MATES WITH STANDARD PART W4P (=KEYLESS)
- 4. COLOR CODE = BLACK.
- 3. CONSULT FACTORY FOR APPLICATION.
- 2. ALL DIMENSIONS ARE ±.025 [.64] UNLESS OTHERWISE SPECIFIED.

NOTES: 1. ALL DIMENSIONS ARE IN INCHES [MILLIMETERS]

SIGNATURE & DATE	
DR	V. TOMSA JUL-21-95.
CHK	<i>John C. Spauld</i> 10/12/07
PE	<i>H. Meyer</i> 7/16/07
APPD	<i>S. Brand</i> 10-10-07
SCALE	NONE WT

WEDGE LOCK  
FOR 4 WAY PLUG  
KEY ARR. -B-  
DT SERIES

ENVELOPE

EP	MATL. CODE
3850 INDUSTRIAL AVE. HEMET, CA 92545	
DEUTSCH INDUSTRIAL	
B	W4SB
DWG SIZE	CODE 11139 SHEET   OF