

NOTES:

1. MATERIALS AND FINISHES:
 BODY & CONTACT - BeCu, GOLD PLATING
 INSULATOR - PTFE, NATURAL
 CAP - BRASS, GOLD PLATING
 RETAINER RING - BeCu, NICKEL PLATING
2. ELECTRICAL:
 A. IMPEDANCE: 50 OHM
 B. FREQUENCY RANGE: DC - 26.5 GHz
 C. VSWR (RETURN LOSS): 1.20 MAX. (-20.80 dB MIN.) @ DC - 18 GHz
 1.35 MAX. (-15.60 dB MIN.) @ 18 - 26.5 GHz
 D. DIELECTRIC WITHSTANDING VOLTAGE: 500 VRMS, MIN.
3. MECHANICAL:
 A. DURABILITY: 100 CYCLES MIN. WHEN MATED FULL DETENT JACK
 500 CYCLES MIN. WHEN MATED LIMITED DETENT JACK
 1000 CYCLES MIN. WHEN MATED A SMOOTH BORE JACK
 B. TEMPERATURE RANGE: -65°C TO +165°C
 C. MATING FORCES (PER DSCC #94007):
 ENGAGEMENT:
 FULL DETENT: 15 LBS (67 N) MAX.
 LIMITED DETENT: 10 LBS (45 N) MAX.
 SMOOTH BORE: 2 LBS (9 N) MAX.
 DISENGAGEMENT:
 FULL DETENT: 2 LBS (9 N) MIN.
 LIMITED DETENT: 2 LBS (9 N) MIN.
 SMOOTH BORE: 0.5 LBS (2.2 N) MIN.
4. PACKAGING:
 A. QUANTITY: SINGLE PACK
 B. MARKING: BAG TO BE MARKED
 "AMPHENOL RF, SMP-FR-C07-1, DATE CODE"
5. CABLE ASSEMBLY INSTRUCTIONS:
 A. SEE AMPHENOL SPEC 349-50687.

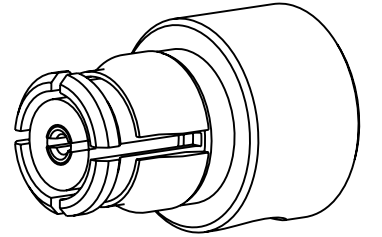
6 SHOWS CABLE ENTRY DIMENSIONS.

INTERFACE PER MIL-STD-348 SERIES: SMP PLUG

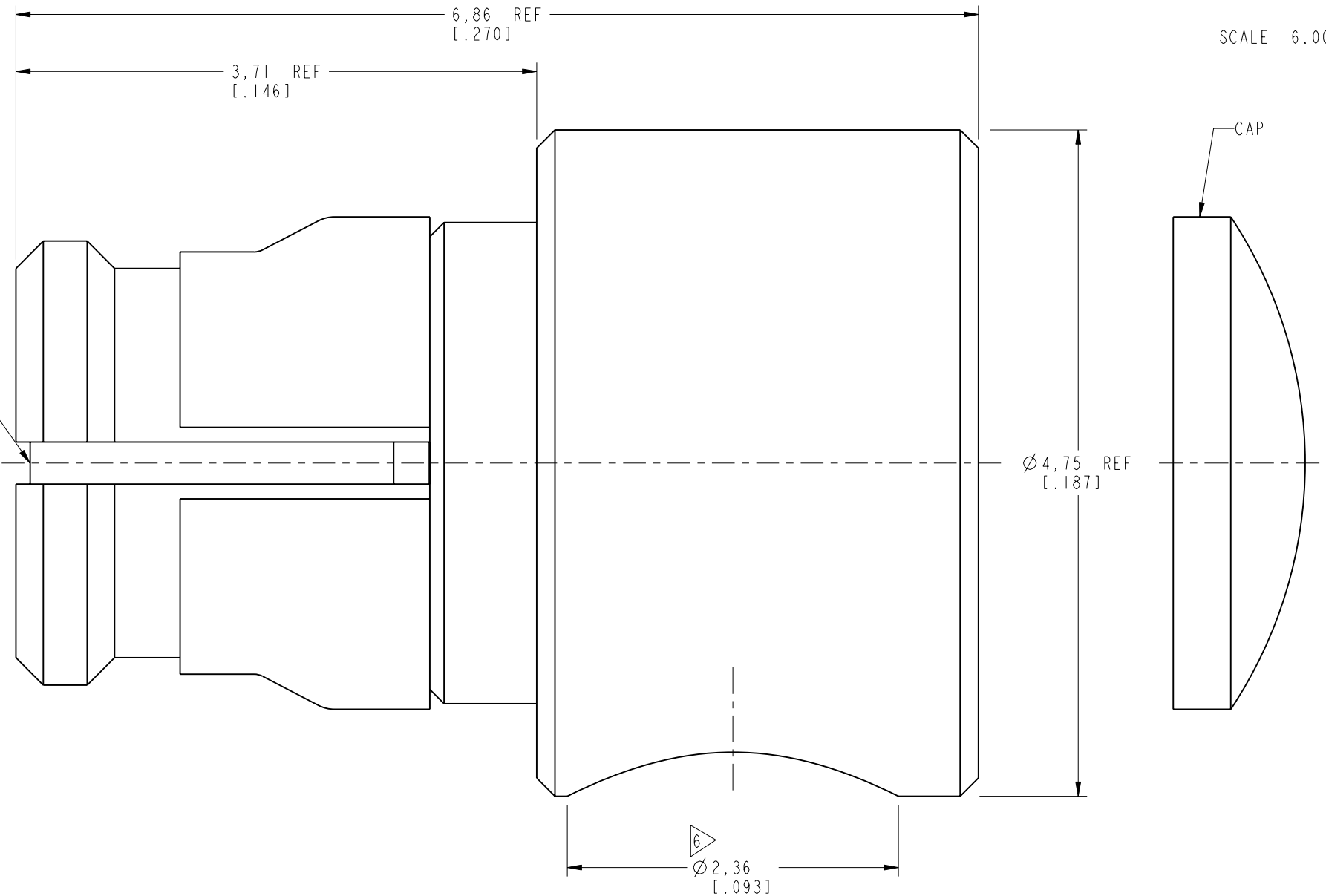
THIRD ANGLE PROJ.

REVISIONS

REV	DESCRIPTION	DATE	ECO	APPR
A	RELEASE TO MFG	30-May-18	08221	BMG



SCALE 6.000



CUSTOMER OUTLINE DRAWING

ALL OTHER SHEETS ARE FOR INTERNAL USE ONLY

UNLESS OTHERWISE SPECIFIED, DIMENSIONS ARE IN METRIC AND TOLERANCES ARE:				
<0.5mm	0.5 - 6mm	6 - 30mm	30 - 120mm	ANGLES
± 0.05mm	±0.1mm	±0.2mm	± 0.3mm	±1°

NOTICE - These drawings, specifications, or other data (1) are, and remain the property of Amphenol corp. (2) must be returned upon request; and (3) are confidential and not to be disclosed to any person other than those to whom they are given by Amphenol Corp. the furnishing of these drawings, specifications, or other data by Amphenol Corp., or to any other person to anyone for any purpose is not to be regarded by implication or otherwise in any manner licensing, granting rights to permitting such holder or any other person to manufacture, use or sell any product, process or design, patented or otherwise, that may in any way be related to or disclosed by said drawings, specifications, or other data.

MATERIAL	SEE NOTES
REFERENCE	EAR# 8016 AND SMP-FR-C07
CONFIGURATION LEVEL:	In Work
FINISH	

DRAWN	K. SONG	DATE	02-Jun-18
ENGINEER	ANANDH G	DATE	05-Dec-17
APPROVED	S. HSIEH	DATE	05-Jun-18
CAD FILE			

TITLE	
SMP R/A PLUG WITH ANTI-ROCK RING FOR RG405 OR .086" SEMI RIGID	
SCALE:	25.0:1.0 SHEET 2 OF 2
DWG SIZE	B
REV	A

Amphenol RF	
www.amphenolrf.com	
DRAWING NO. SMP-FR-C07-1	
ITEM NO. SMP-FR-C07-1	
PART NO. SMP-FR-C07-1	