

# UBBL26

## Technical Datasheet



Technical Specifications	
<b>Part No.</b>	UBBL26-FL or UBBL26-C1
<b>Voltage Range</b>	12.0 to 16.8V
<b>Average Voltage</b>	14.4V
<b>Capacity</b>	4.8Ah @ C/5 Rate @ 23°C±2°C
<b>Max. Discharge</b>	3.5A continuous
<b>PTC</b>	Rated for 4.5A Hold Current @ 20°C
<b>Energy</b>	69.0Wh
<b>Energy Density</b>	182Wh/kg, 449Wh/l
<b>Weight</b>	~393g
<b>Cycle Life</b>	> 300 cycles @ C/5 to 80% of initial capacity
<b>Memory</b>	No Memory Effect
<b>Operating Temperature</b>	-20°C to 60°C
<b>Storage Temperature</b>	-20°C to 50°C
<b>Self-Discharge</b>	< 10% per month
<b>Exterior/Housing</b>	PVC Shrink Wrap
<b>Terminals/Connector</b>	FL: 22 AWG wire leads Red (+), Black (-) C1: JST Connector VHR-2N
<b>Safety</b>	Material Safety Datasheet - MSDS041 Safety Guide UBI-5112
<b>Transportation</b>	Excepted from regulations for packages with gross mass of 10kg or less (see note)
<b>Protection Circuit Module and Fuses</b>	Over Voltage Limit: 4.325±0.05V (per cell) Under Voltage Limit: 2.30±0.1V (per cell) Over Discharge Current Limit: 3.6 - 6.0A
<b>Charging</b>	Recommended charge rate is 932mA to 16.8V in a temperature range of 0°C to 45°C. Hold at 16.8V until current declines to 100mA. Maximum charge rate is 3.2A @ 23°C±2°C.
<b>Note</b>	A complete description of transportation regulations, lithium weights and transportation classifications is available on the Ultralife website.

### Features

- Off-the-shelf convenience
- Wire or connector terminals
- Full circuit protection
- Meets all UN transportation testing
- Long cycle life
- High energy density
- Wide operating temperature range
- Lightweight

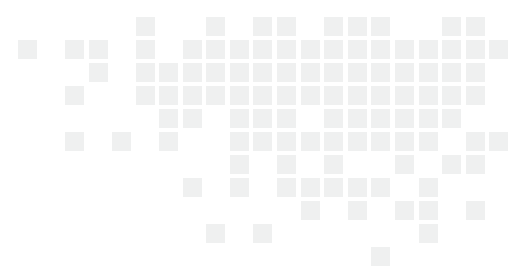
### Applications

- Portable electronics
- Hand-held devices
- Medical equipment
- Back-up power

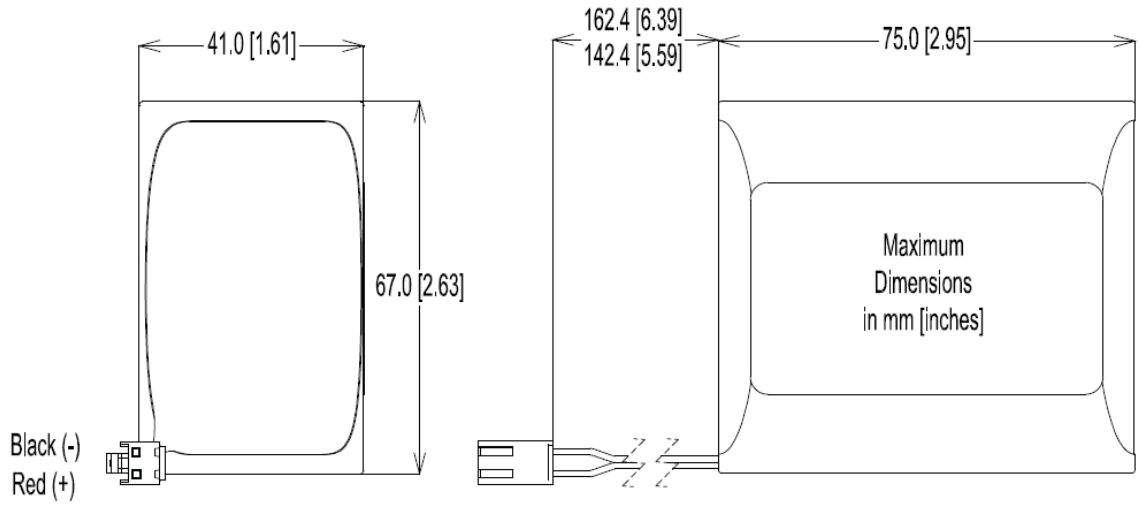
### Accessories Optional

- UCH0039-S: Wall Wart charger (U.S.)
- UCH0039-I: Wall Wart charger (International)
- UCA0102-01: Interface cable for UBBL26-FL
- UCA0102-02: Interface cable for UBBL26-C1

# Dimensions



**UBBL26-FL: Wire Leads**  
**UBBL26-C1: Connector**



# Performance Graphs

