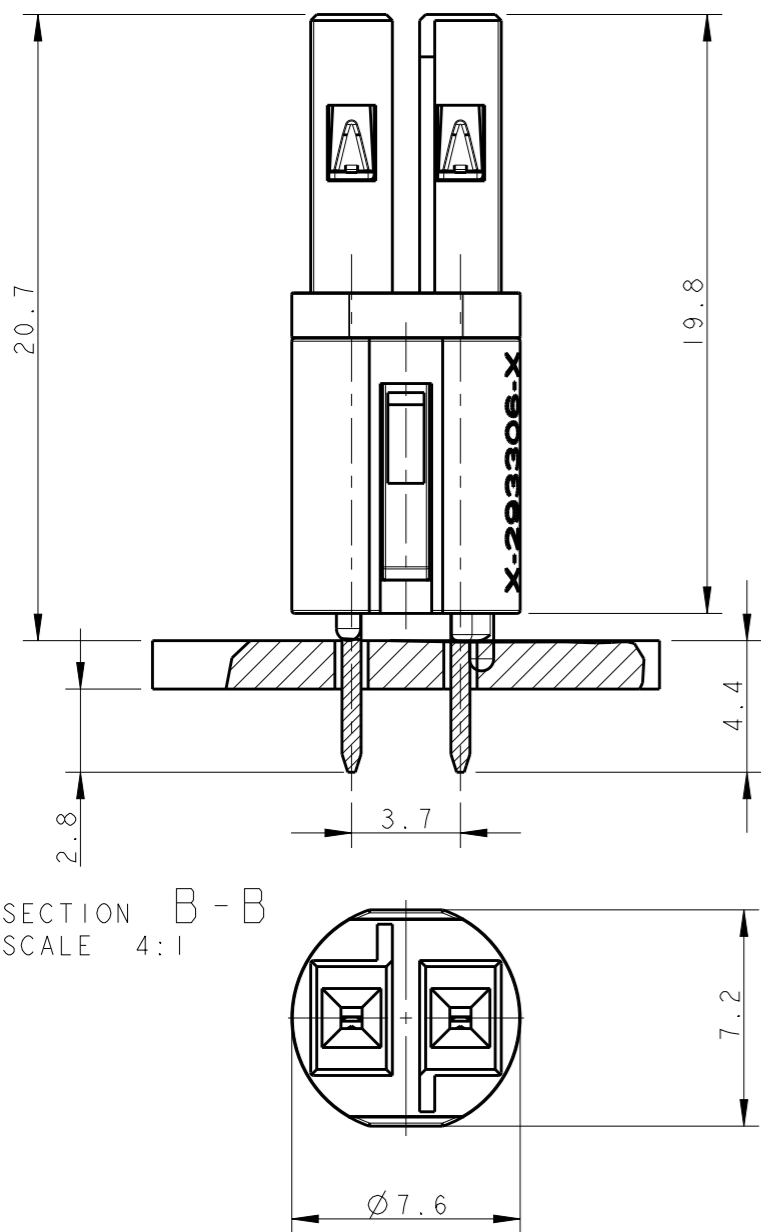
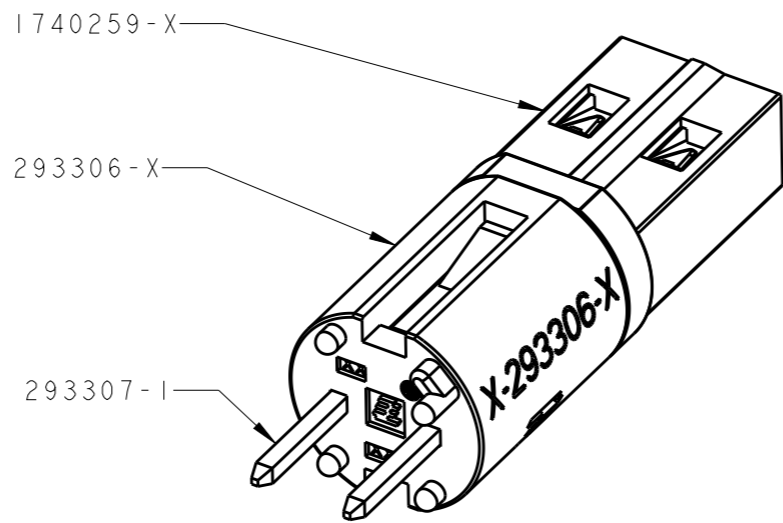


THIS DRAWING IS UNPUBLISHED. RELEASED FOR PUBLICATION 20
 © COPYRIGHT 20 BY - ALL RIGHTS RESERVED.

LOC AL DIST 2

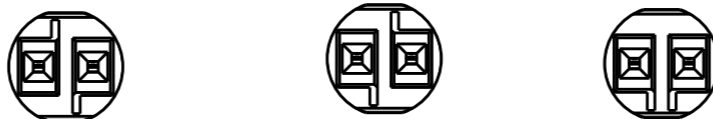
REVISIONS					
P	LTR	DESCRIPTION	DATE	DWN	APVD
D2		UPDATED VIEW SCALE	23FEB2010	AV	GT
D4		REVISED MARKS ON -5 WAS MARKED AC	17OCT2011	AV	GT
D4		REVISED PER ECR-13-009678	18SEP2013	RS	DD
D5		ECR-16-004670	04APR2016	RS	JL

TYPICAL APPLICATION



HIGH VOLTAGE

KEYING HV-1 KEYING HV-2 KEYING HV-3



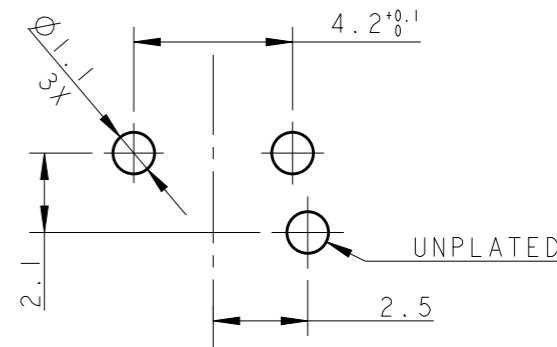
LOW VOLTAGE

KEYING LV-1 KEYING LV-2



PRINTED CIRCUIT BOARD LAYOUT FOR LOW VOLTAGE VERSION

TOLERANCES UNLESS OTHERWISE SPECIFIED ± 0.05
 PRINTED CIRCUIT BOARD THICKNESS: 1.6 mm NOMINAL



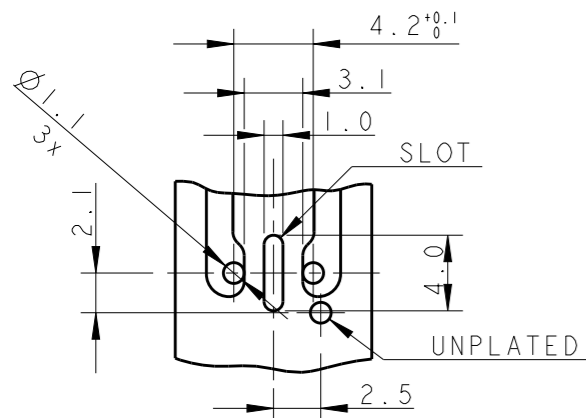
1) MATERIALS:

CONTACTS: SOLDERING SIDE TIN PLATED Ph. BRONZE
 RECEPTACLE IN SPECIAL ALLOY COPPER TIN PLATED
 HOUSING: PA66 GFF25 UL 94 V0

2 OBSOLETE.

PRINTED CIRCUIT BOARD LAYOUT FOR HIGH VOLTAGE VERSION

TOLERANCES UNLESS OTHERWISE SPECIFIED ± 0.05
 PRINTED CIRCUIT BOARD THICKNESS: 1.6 mm NOMINAL



KEYING	REMARKS	PART NUMBER	REV	COLOR
LV-2	LOW-VOLT 42 V DC	293308-6	D	YELLOW
LV-1	LOW-VOLT 42 V DC	293308-5	D	LIGHT GREY
HV-2	SWITCH MAX 7A	293308-4	D	RED
HV-3	HIGH-VOLT 125 V AC	293308-3	D	BLUE
HV-1	HIGH-VOLT 250 V AC	293308-2	D	BLACK
HV-1	HIGH-VOLT 250 V AC	293308-1	D	WHITE

THIS DRAWING IS A CONTROLLED DOCUMENT.

DIMENSIONS: mm	TOLERANCES UNLESS OTHERWISE SPECIFIED:
	0 PLC ±0.5
	1 PLC ±0.5
	2 PLC ±0.3
	3 PLC ±0.3
	4 PLC ±0.3
	ANGLES ±0.5°
MATERIAL	FINISH

DWN R. FRABONI 15JUN2007
CHK -
APVD G. TURCO
PRODUCT SPEC 108-94018
APPLICATION SPEC 114-32102
WEIGHT -
CUSTOMER DRAWING

STE TE Connectivity

NAME: 7,5 mm PCB CONNECTOR ASSEMBLY STRAIGHT FEMALE VERSION

SIZE A3	CAGE CODE 00779	DRAWING NO C-293308	RESTRICTED TO -
SCALE 5:1		SHEET 1 OF 1	REV D5