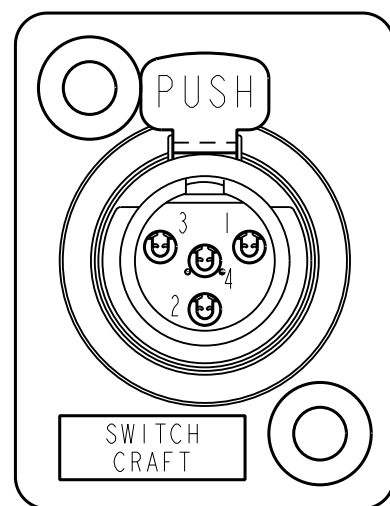
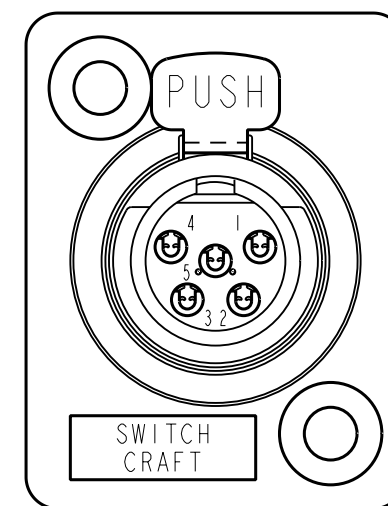


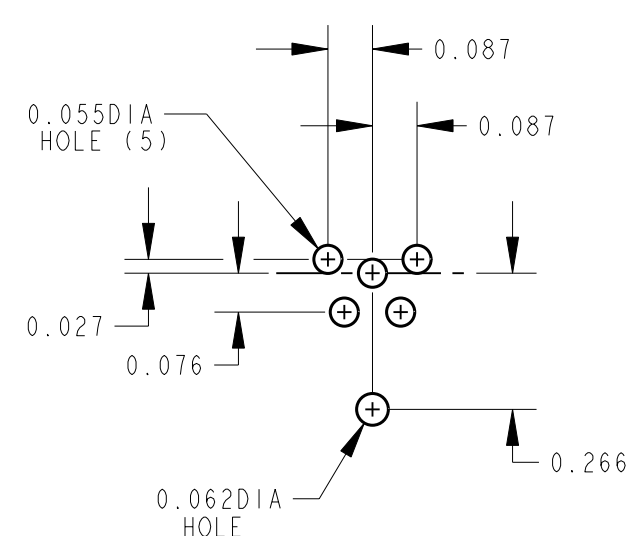
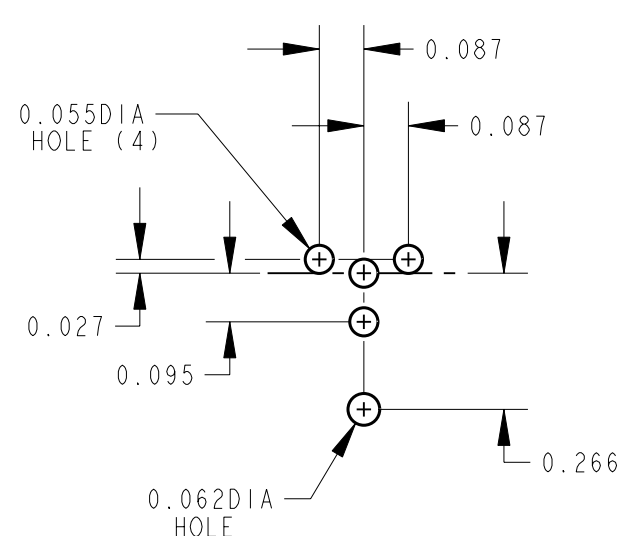
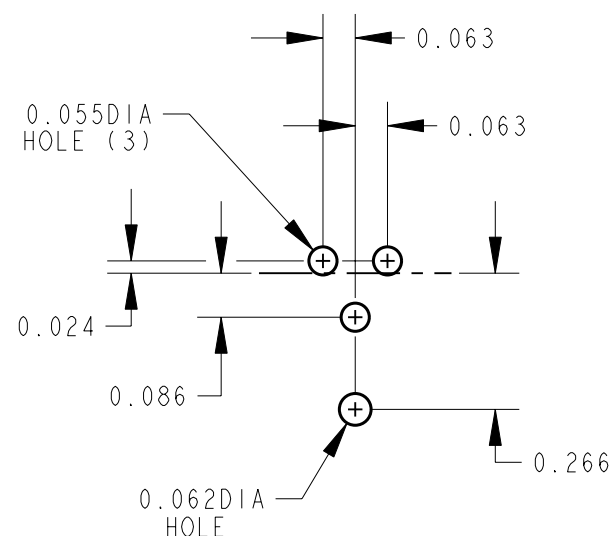
3 PIN



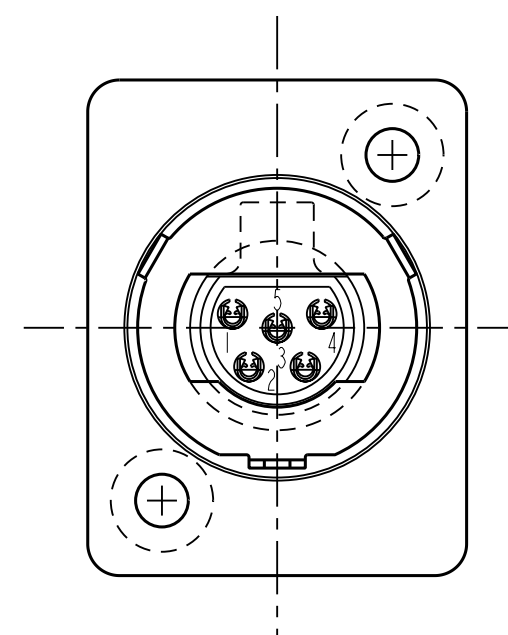
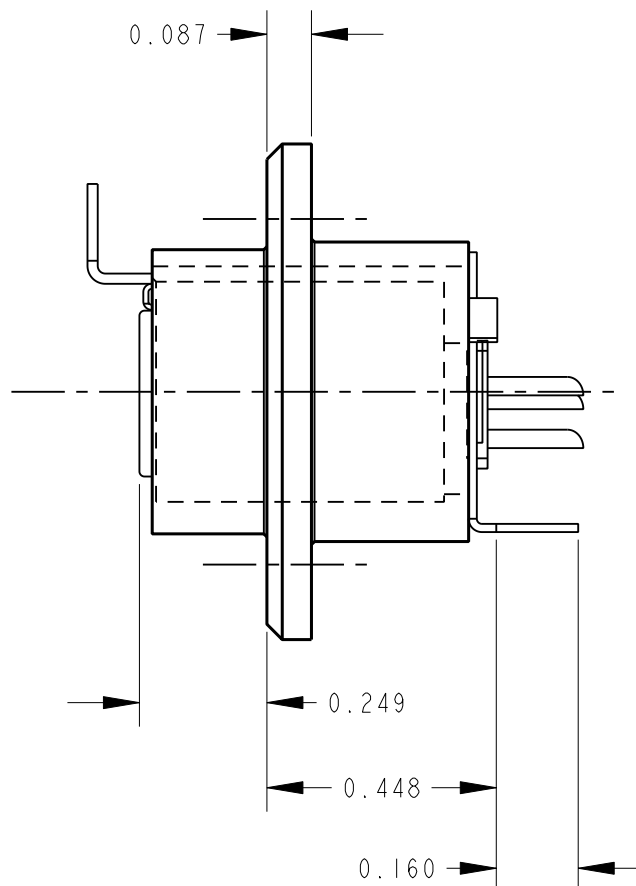
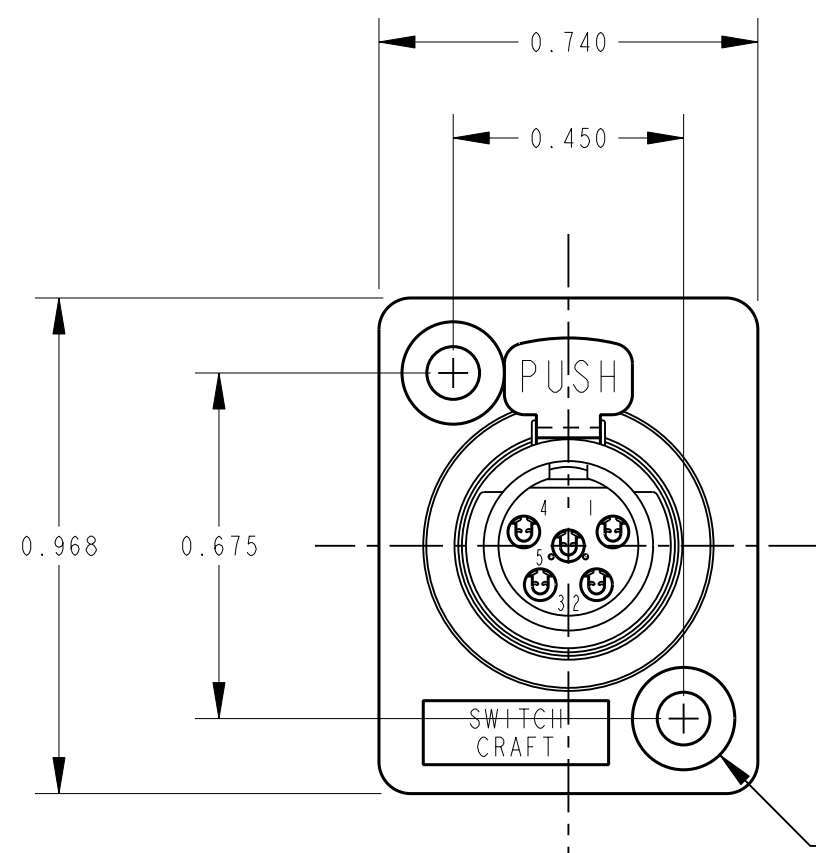
4 PIN



5 PIN



P.C. BOARD LAYOUTS



MATERIALS:

- LOCK RING - BRASS, ELECTRO TIN PLATED
- PANEL HOUSING - ZINC, NICKEL PLATED
- INSULATORS - PPS
- HOUSING - BRASS, NICKEL PLATED
- LATCH - BERYLLIUM COPPER, NICKEL PLATED
- RELEASE LEVER - STEEL, NICKEL PLATED
- LEVER SPRING - STEEL, COPPER PLATED
- CONTACTS - BERYLLIUM COPPER, SILVER PLATED

NOTE:

1. ALL DIMENSIONS ARE FOR REFERENCE PURPOSES ONNLY UNLESS OTHERWISE SPECIFIED.

CUSTOMER DRAWING

CAD/CAM DWG. NO.
TY_FPC_CD
SHEET 1 OF 1

<p>★ STAR SYMBOL DENOTES CRITICAL DIMENSION. SEE S/C ENGINEERING STANDARD ES-0001</p>				<p>THIS DRAWING DESCRIBES A DESIGN CONSIDERED PROPRIETARY IN NATURE, DEVELOPED AND MANUFACTURED BY SWITCHCRAFT INC. AND IS RELEASED ON A CONFIDENTIAL BASIS FOR IDENTIFICATION PURPOSE ONLY.</p>					
UNLESS OTHERWISE SPECIFIED				SIZE	WIDTH	MULT	LBS./M	TEMPER	
E	ECO #20090	7-3-97	OM	JJ	FINISH		MATERIAL		
D	ECO #20089	7-3-97	OM	JJ	SPEC. NO.		SPEC. NO.		
C	ECO #20088	7-3-97	OM	JJ	FIRST USED ON		SCALE		
B	ECO #19805	7-10-95	RC	GHJ	DATE DRAWN		BY		
A	FIRST DRAWN ECO #18467	3-30-95	SG	GHJ	3-30-95		SG		
ISSUE				CHANGE NO.	DATE	BY	APP'D	NAME	
REVISIONS				DO NOT SCALE DRAWING				TINI QG SERIES	
							PART NO. TY*FPC		ISSUE E



Mouser Electronics

Authorized Distributor

Click to View Pricing, Inventory, Delivery & Lifecycle Information:

[Switchcraft:](#)

[TY3FPC](#) [TY4FPC](#) [TY5FPC](#)