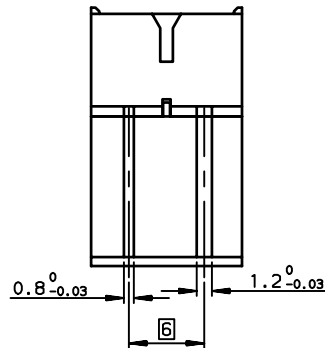
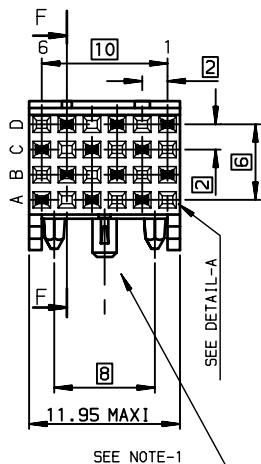
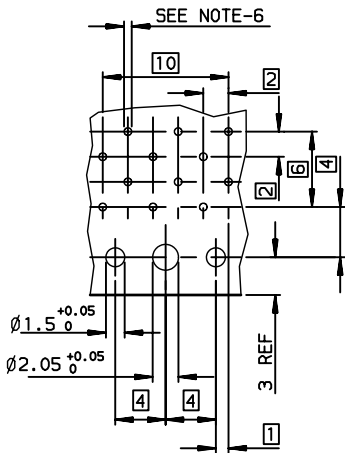
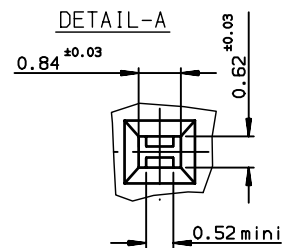


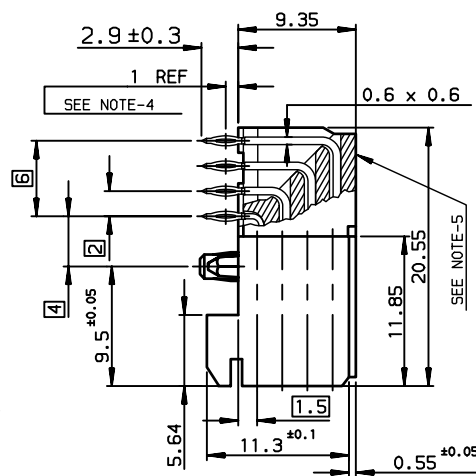
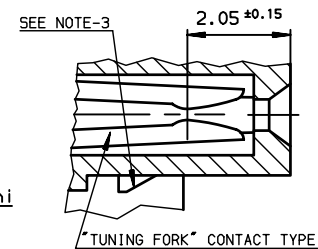
LAYOUT FOR P.C.B



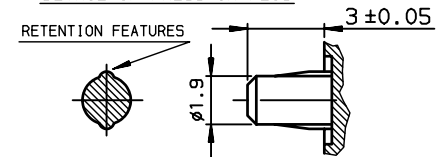
DETAIL-A



SECTION-FF



DETAIL OF PRESS-IN PEGS



TIN LEAD PART NUMBER

PART NUMBER : HM1F41FDP131H6

LEAD-FREE PART NUMBER

PART NUMBER : HM1F41FDP131H6LF

CONTACTS IN POSITION : ROW a-c CAVITY 2-4-6 AND ROW b-d CAVITY 1-3-5

NOTE-1: PRESS-IN RETENTION PEG

NOTE-2: CONNECTORS WITH PCB-2.4mm ARE COMPATIBLE WITH WIDE AND NARROW BODIES

NOTE-3: PLUG FOR CODING KEY FIXING

NOTE-4: EYE OF THE NEEDLE PRESS-FIT CTS TYPE

NOTE-5: FLAT ROCK INSERTION TOOLING IN PCB, SEE DRW REF:C-8626-1003

NOTE-6: METALIZED HOLE DEFINITION,SEE GS-12-447

NOTE-7: PRESS FIT PIN FOR PCB HOLE Ø 0.7 REF

NOTE-8: STANDARD PACKAGING IS IN TUBE ,BUT IF SUFFIX "P" IS ADDED IN P/N ,PACKAGING IS IN TRAYS ,BUT CONNECTOR MARKING IS WITHOUT "P"
Example: HM1FxxxxxxxH6PLF, marking: HM1FxxxxxxxH6LF

GENERAL CHARACTERISTICS AND ROHS INFORMATIONS:

SEE GS-12-447

European Views

www.fciconnect.com			surface ISO 1302 ✓	tolerance std ISO 406 ISO 1101	projection 	mm
TOLERANCES UNLESS OTHERWISE SPECIFIED						
ANGULAR	LINEAR	0.X	±0.1	size A3	Scale 2.5	
0.XX' ±2'		0.XX	±0.1	ECN	LS07-0266	
Appr	LEGARE	1996/01/12	Product family	METRAL	Spec ref	-
	title METRAL FEMALE 4 ROWS 12 CTS			dwg no	C-8626-0710	Rev. E
	catalog no			CUSTOMER	sheet 1 of 1	

rev	ecn no	dr	date
A	-	-	1996/01/12
B	LS05-004	MLE	2005/02/17
C	LS06-0095	LGO	2006/07/12
D	LS06-0159	MLE	2006/10/30
E	LS07-0266	MLE	2007/11/06
-	-	-	-
-	-	-	-

REV F - 2006-04-17

1

2

3

4