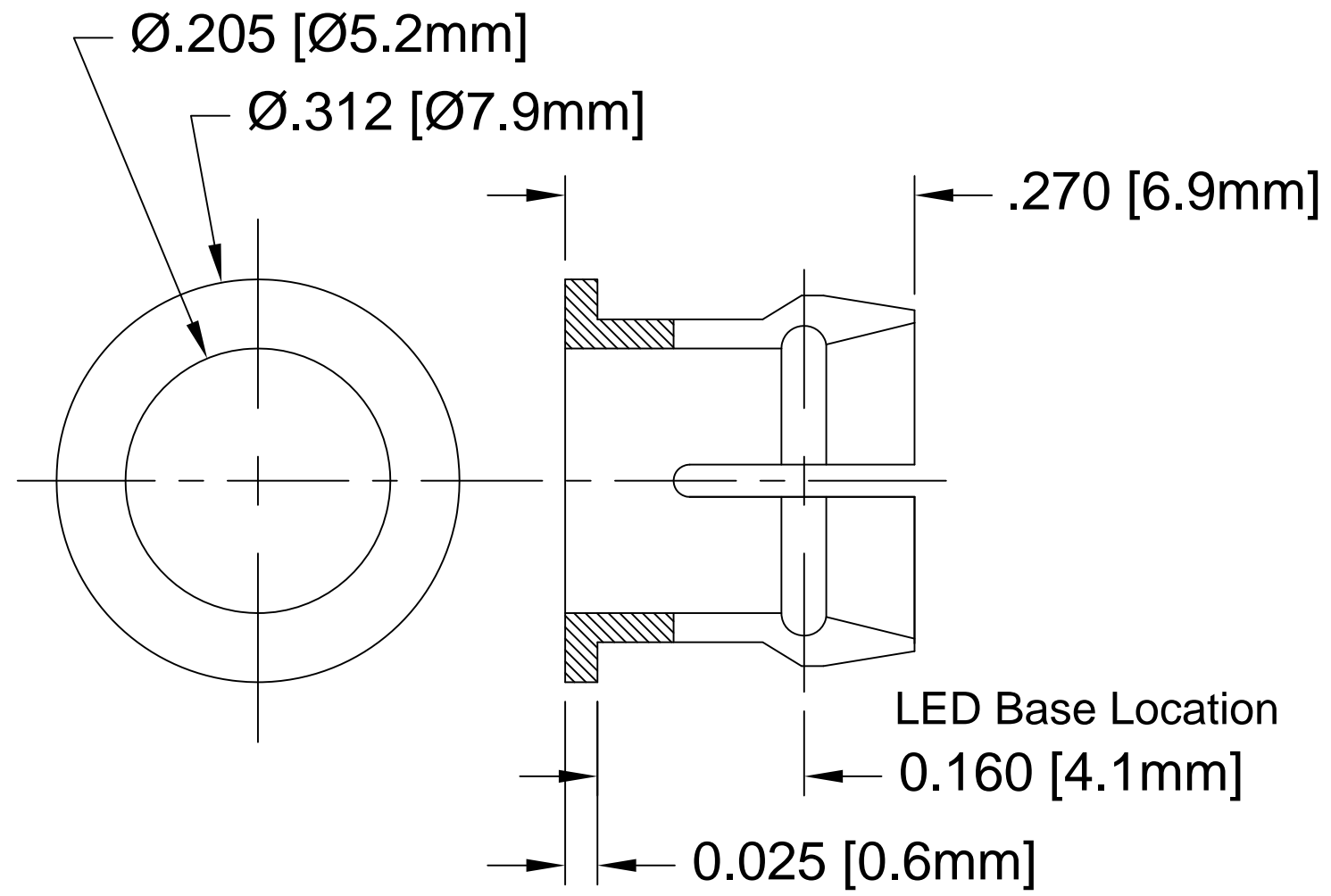

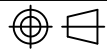


REV.	DESCRIPTION	DATE	APPROVED
A	Engineering Release	02/09/05	M. C.
B	Corrected Part Number	11/02/06	M. C.
C	Overall Length Change to 0.270"	11/29/07	M. C.
D	Removed Material Code	05/28/16	J. C.



2. MATERIAL: NYLON 6/6, 94V-0, BLACK.

1. GENERAL SPECIFICATIONS: BIVAR MOLDED COMPONENT SPECIFICATION BV00-E101.

STANDARD TOLERANCE (UNLESS OTHERWISE SPECIFIED)		 4 THOMAS, IRVINE, CA. 92618 TEL: (949) 951-8808 FAX: (949) 951-3974	
DECIMALS	ANGULAR		
.X ± .1	X° ± 1°	 TITLE: CLIP FOR SMALL FLANGE T-1¼ (5mm) LED HOLDER	
.XX ± .01			
.XXX ± .005			
DESIGNED: D. Green	DATE: 02/09/05	PART NO: C-175	REVISION: D
CHECKED: T. Yin	DATE: 02/09/05	CAGE CODE : 32559	SHEET # 1 OF 1
CAD GENERATED DOCUMENT. DO NOT MEASURE DRAWING.			