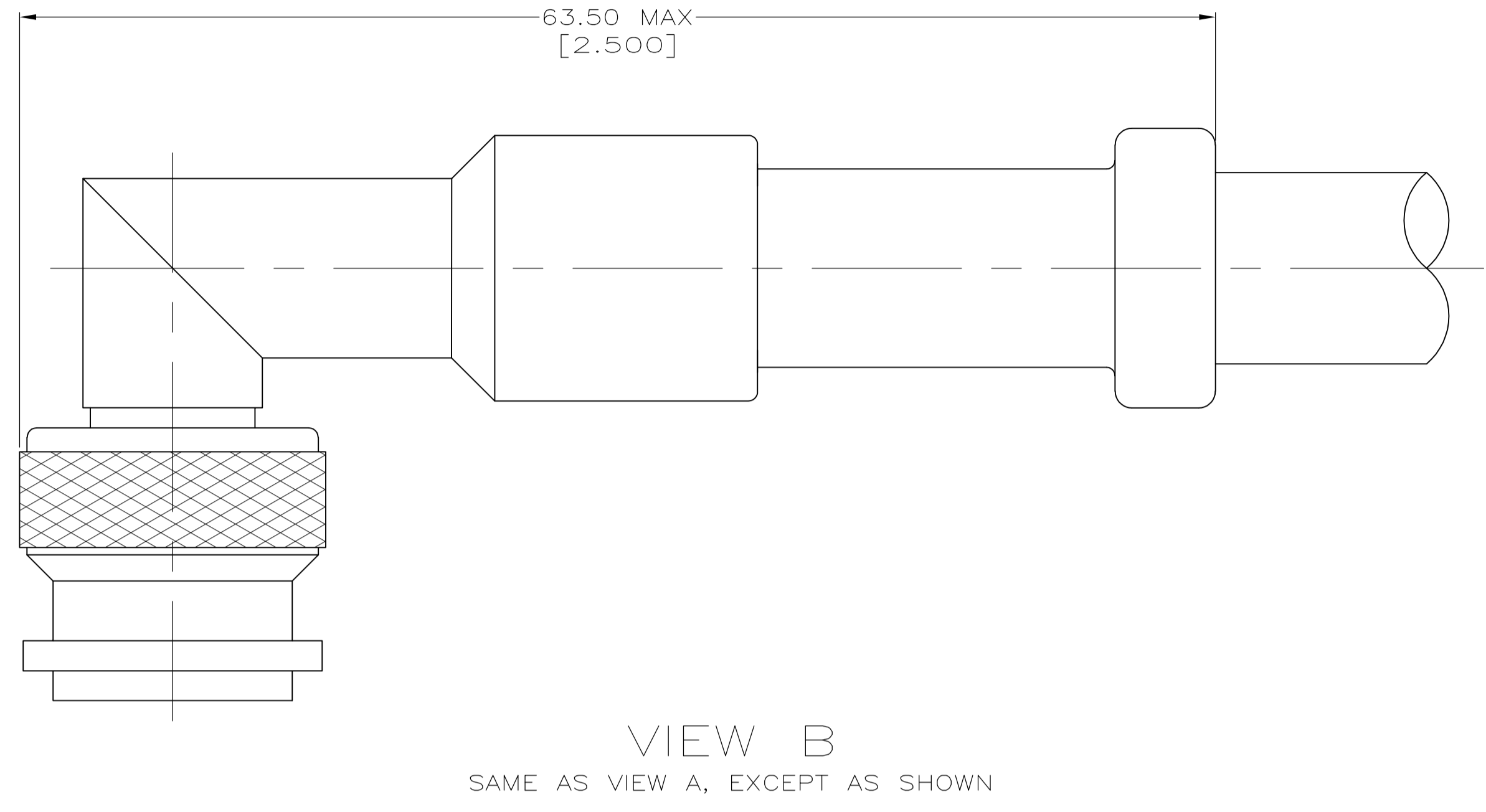
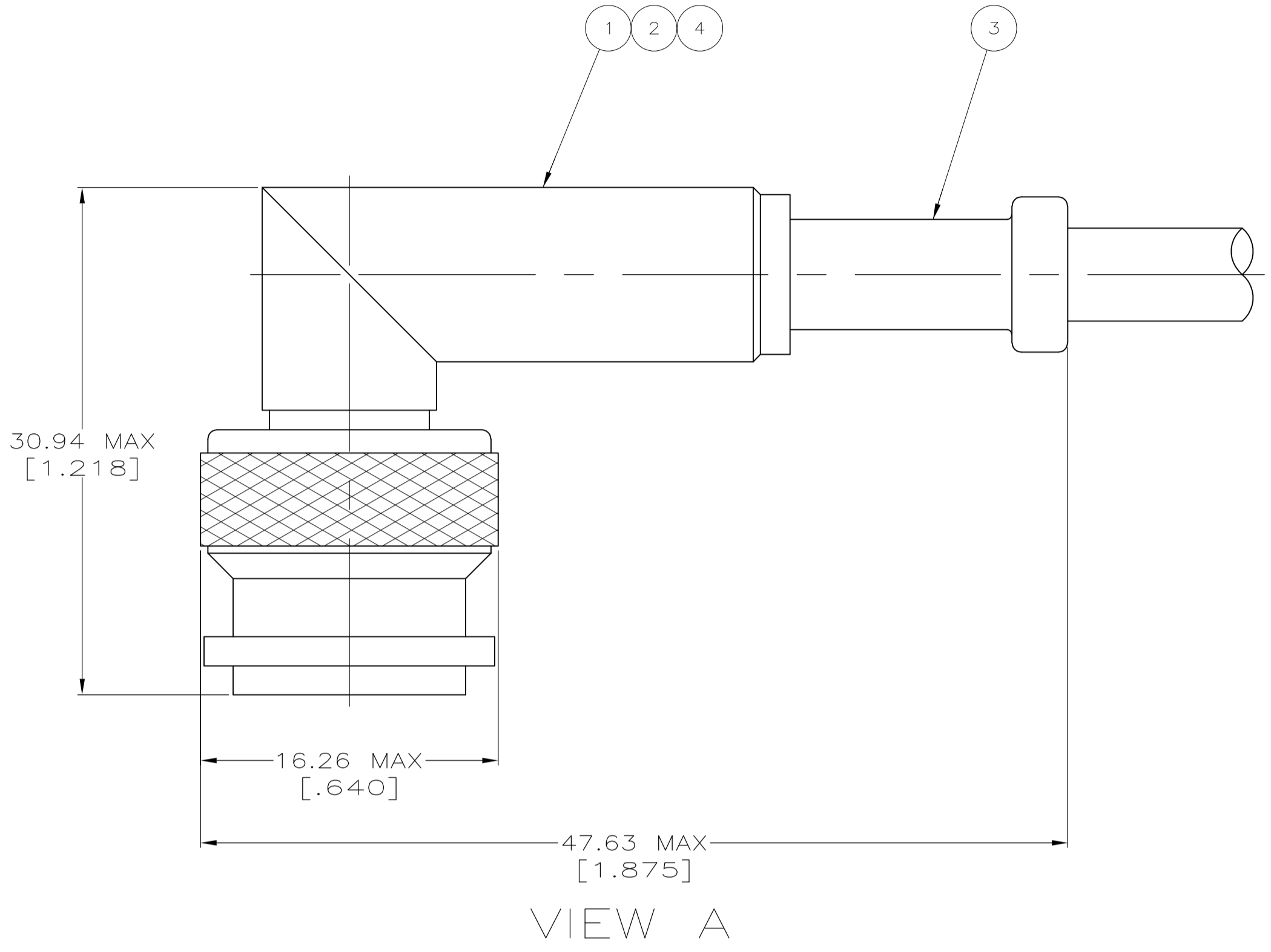
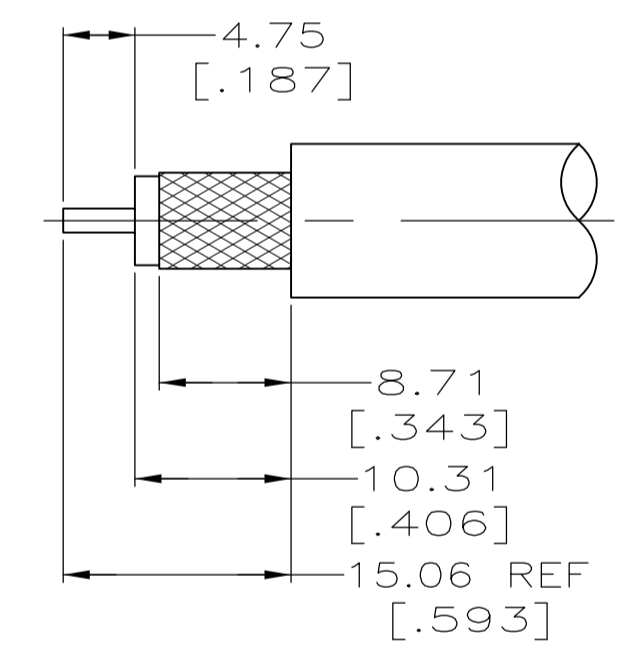


REVISIONS					
P	LTR	DESCRIPTION	DATE	DMN	APVD
N	REVISED PER	ECO-15-016635	18NOV2015	LN	RS

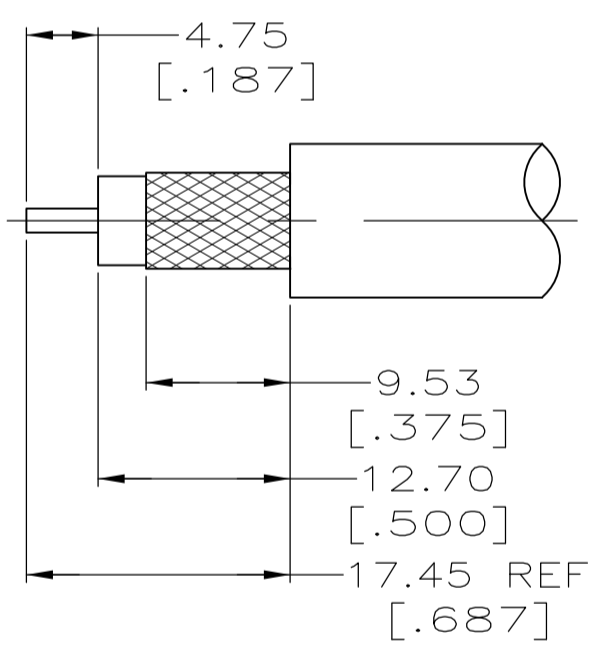
1. USE INSTRUCTION SHEET 2299-5



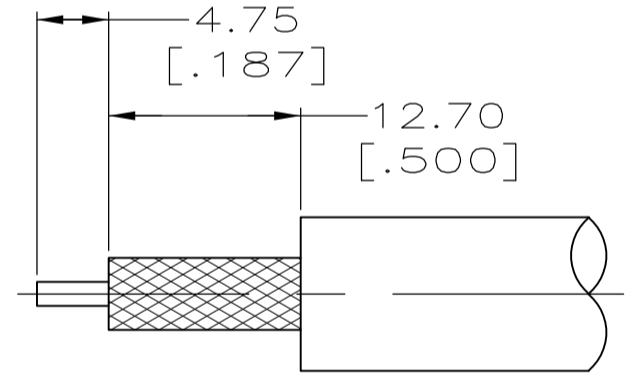
VIEW B  
SAME AS VIEW A, EXCEPT AS SHOWN



RECOMMENDED STRIP LENGTH  
NO SCALE  
FOR 225554-2 AND 225554-6



RECOMMENDED STRIP LENGTH  
NO SCALE  
FOR 1-225554-2



RECOMMENDED STRIP LENGTH  
NO SCALE  
FOR 225554-9 AND 1-225554-1

SUPERSEDED BY 225554-6	RG-142/U, 142A/U, 142B/U	-	225592-2	9-225560-4	225471-3	225518-1	-	7-225554-6
OBSOLETE	RG-59B/U & 62B/U	-	225592-3	225560-3	225471-2	225518-2	-	7-225554-3
SUPERSEDED BY 225554-2	RG-58A/U, 58C/U	-	225592-1	225560-2	225471-1	225518-1	-	7-225554-2
OBSOLETE	BXS-7004-501	-	225592-6	225612-4	225599-1	225518-6	-	1-225554-6
OBSOLETE	MICRO-DOT 250-4172, 250-4208 (BXS-704-502)	220015-3	-	225612-2	225599-1	225518-5	-	1-225554-2
	RG-393/U	220015-1	332022	225490-1	225471-7	225518-3	B	1-225554-1
OBSOLETE	RG-9/U, 9A/U & 214/U	220015-1	332022	331987	225599-1	225518-3	B	225554-9
OBSOLETE	RG-225/U	-	332022	331987	225471-7	225518-3	-	225554-7
	RG-142/U, 142A/U, 142B/U	220045-2	-	9-225560-4	225471-3	3-225518-1	A	225554-6
	RG-58A/U, 58C/U	220045-2	-	9-225560-5	225471-1	2-225518-1	A	225554-2
	RG-55/U, 55A/U, 55B/U & 223/U	220045-2	225592-2	9-225560-4	225471-1	225518-1	A	225554-1
	CABLE	CRIMP TOOL	④ SEAL QTY=1	③ FERRULE QTY=1	② CONTACT QTY=1	① PLUG ASSEMBLY QTY=1	VIEW	PART NUMBER

THIS DRAWING IS A CONTROLLED DOCUMENT. DIMENSIONS: mm. TOLERANCES UNLESS OTHERWISE SPECIFIED: 0 PLC ± .01, 1 PLC ± .01, 2 PLC ± .01, 3 PLC ± .01, 4 PLC ± .01. ANGLES ± .01.

DMN: MICHAEL E. COWHER  
CHK: FRANK P. MORANA  
APVD: FRANK P. MORANA  
NAME: PLUG, RIGHT ANGLE, WEATHERPROOF, TNC  
PRODUCT SPEC: 108-12001  
APPLICATION SPEC: -  
SIZE: A1  
WEIGHT: -  
SCALE: 4:1  
SHEET: 1 OF 1  
REV: N

STE TE Connectivity  
CUSTOMER DRAWING