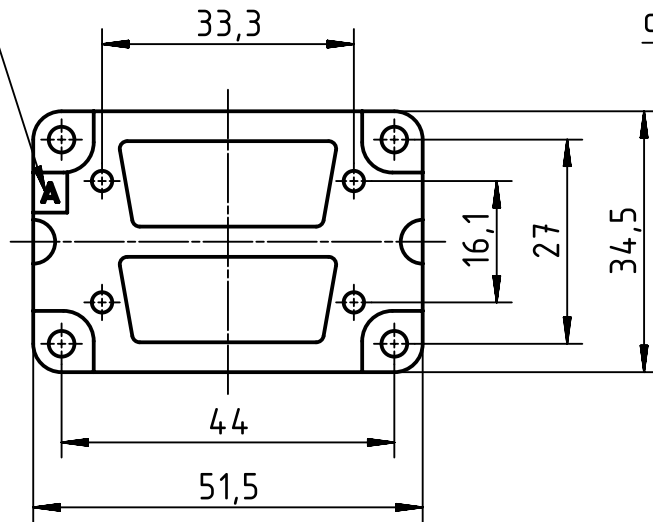
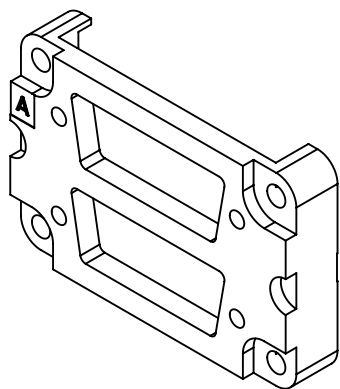
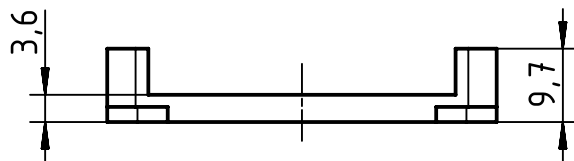
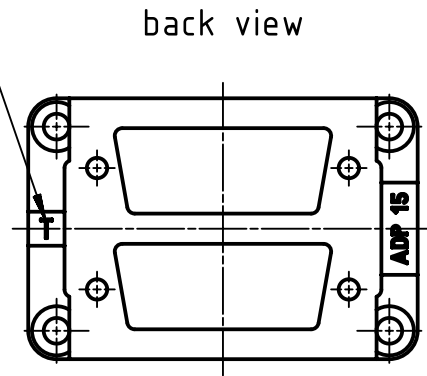



mounting in housing:
character "A" visible



mounting in hood:
character "T" visible



belongs to range of delivery:
4x screws ISO 1481-ST2,9x6,5F
4x screws ISO 1207-M3x14

	All Dimensions in mm Original Size DIN A4		Scale 1:1		Free size tol.		Ref.			
	All rights reserved Department EL PD - DE		Created by HARLASSK		Inspected by NICHTERLEIN		Standardisation RUETERA			
HARTING Electric GmbH & Co. KG D-32339 Espelkamp		Title Adapter Han 6B - 2x D-Sub 15					Date 2017-09-21		State Final Release	
		Type TB					Number 09 30 000 9971		Doc-Key / ECM-Nr. 100210146/UGD/004/A 500000125248	
							Rev. A		Page 1/1	

Mouser Electronics

Authorized Distributor

Click to View Pricing, Inventory, Delivery & Lifecycle Information:

[HARTING:](#)

[09300009971](#)