

RP692 Series

High Voltage/High Current DC Power Line Filter

**RP692
DC TO 2500A & 1200V
CHASSIS MOUNT FILTER
INVERTER APPLICATION**

ROHS COMPLIANT

SPECIFICATIONS

Max. Operating Voltage	: 1200VDC
Ambient Temperature	: -25 to 60C
Climatic Category	: 25/100/21
Hipot Rating (L-G)	: 4700VDC
Terminals (-T)	: S: 25/50A (M5) 75A (M6) 100A (M8) 150A (M10) B: 250A (5x20) 400A (6x25) 600A (8x25) 800/1000A (8x40) 1500A (10x60) 2500A (15x70)
Safety Approvals	: cURus, EN60939

PART NUMBER/ ORDERING

RP692	-X (Amps)	-Y (Ycap, nF)	-T	Weight LBS (KG) Typ.
	25	100	S	3.0 (1.4)
	50	1000		5.5 (2.5)
	75	2000		5.5 (2.5)
	100			8.5 (3.9)
	150			13.0 (5.9)
	250		B	13.0 (5.9)
	400			17.0 (7.7)
	600			17.0 (7.7)
	800			18.0 (8.2)
	1000			18.0 (8.2)
	1500			18.0 (8.2)
	2500			60.0 (27.2)

Note: Use any combination of -Y with any -X (Amps) rating
e.g. RP692-25-100-S (25 Amps with 100nF Y-cap)

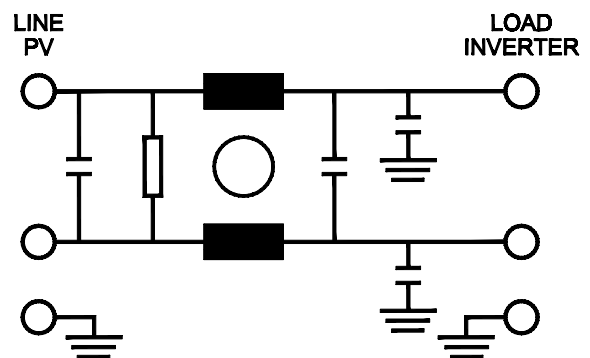
Reference purposes only.
Specifications are subject to change.
Consult factory to verify specifications.



TYPICAL INSERTION LOSS, dB (50/50ohm)

FREQ (MHz)	.15	.5	1.0	10	30
CM(dB)	65	75	55	45	40
DM(dB)	65	70	50	35	30

SCHEMATIC

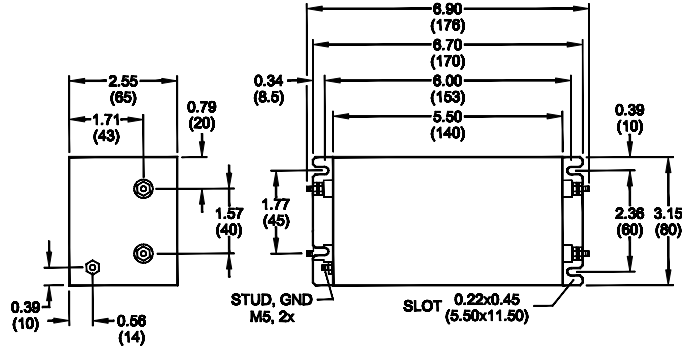


www.radiuspower.com

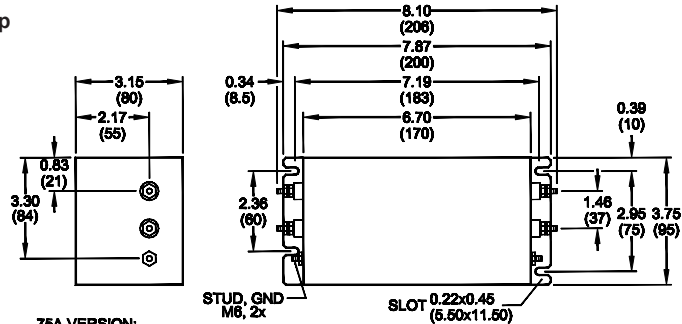
Engineering Assistance: engg@radiuspower.com
Sales: sales@radiuspower.com

RP692 Mechanical Dimensions

25 Amp

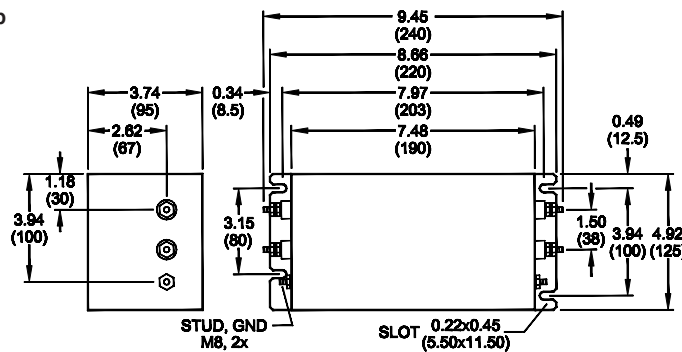


50/75 Amp

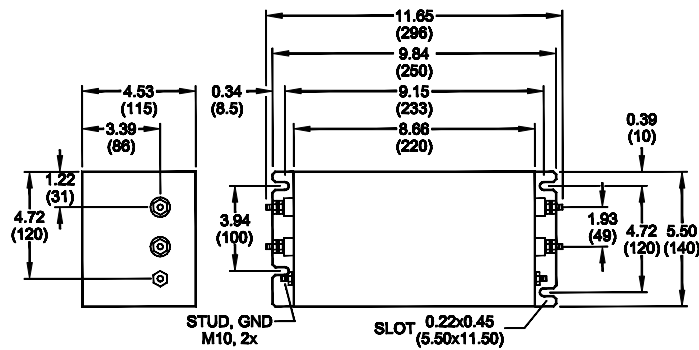


75A VERSION:
(OVERALL STUD TO STUD DISTANCE: 8.66" (220))

100 Amp



150 Amp

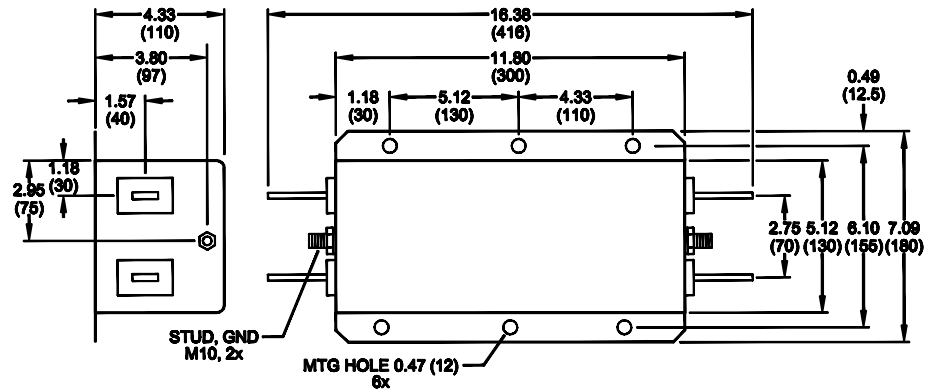


TYPICAL TOLERANCE: +/-0.02 (0.50)

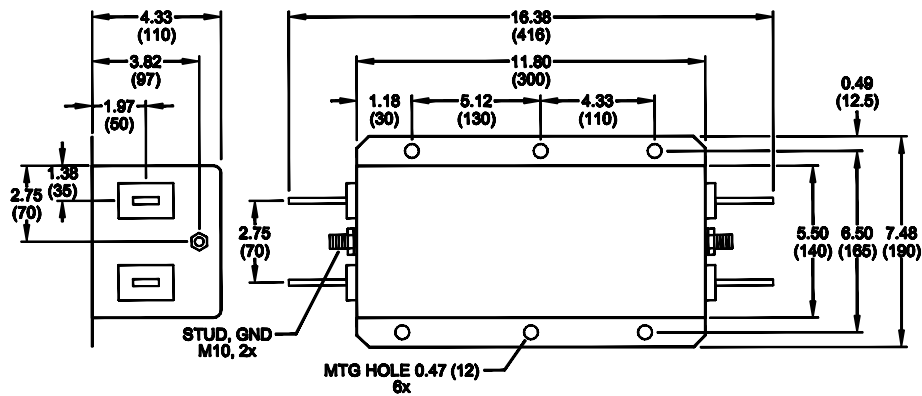
Reference purposes only.
Specifications are subject to change.
Consult factory to verify specifications.

RP692 Mechanical Dimensions

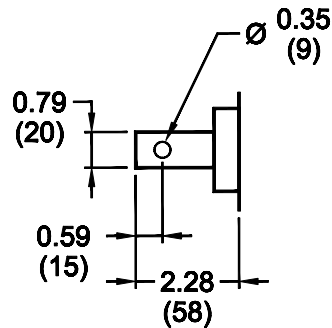
250 Amp



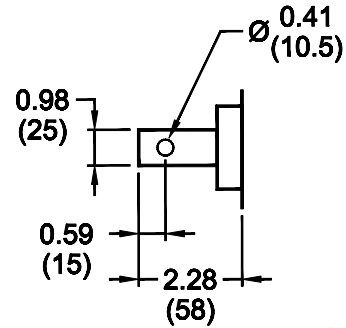
400/600 Amp



250 Amp BUSBAR DETAIL



400/600 Amp BUSBAR DETAIL



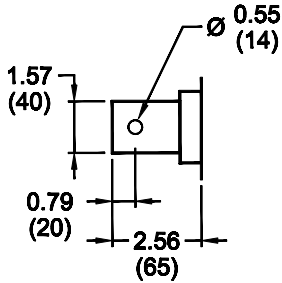
400 Amp BUSBAR: 6x25
600 Amp BUSBAR: 8x25

TYPICAL TOLERANCE: +/-0.02 (0.50)

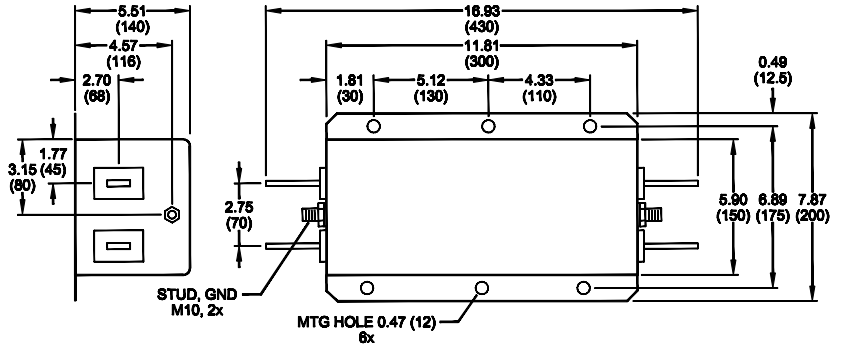
Reference purposes only.
Specifications are subject to change.
Consult factory to verify specifications.

RP692 Mechanical Dimensions

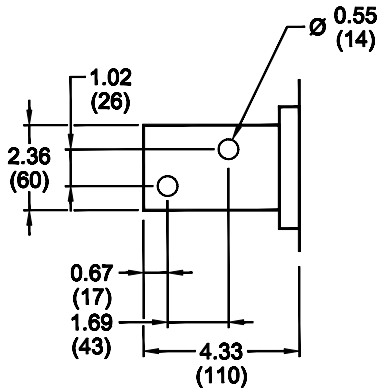
800/1000 Amp BUSBAR DETAIL



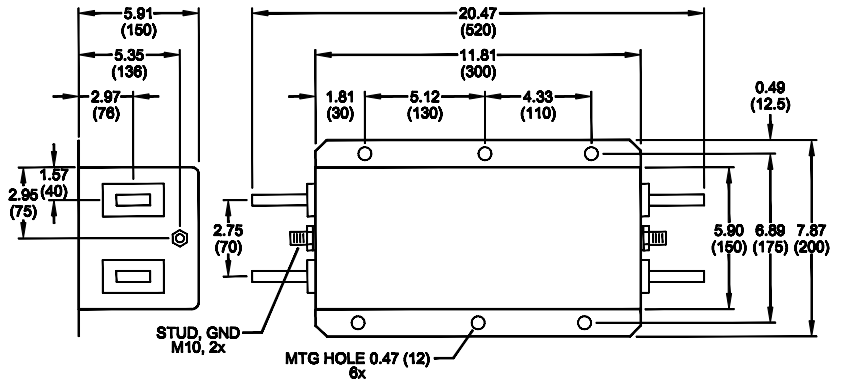
800/1000 Amp



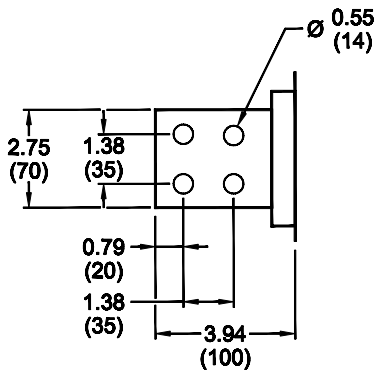
1500 Amp BUSBAR DETAIL



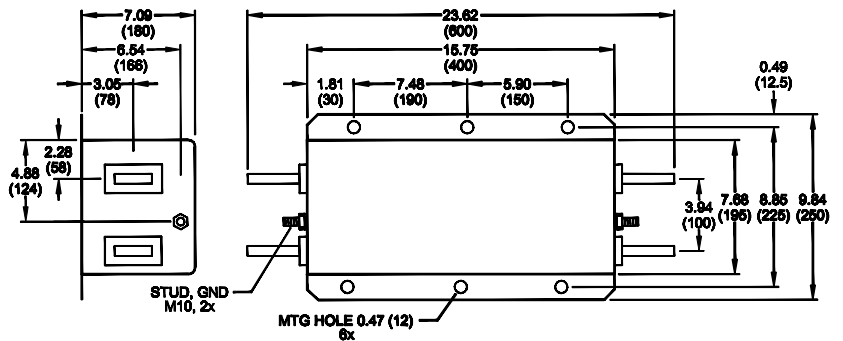
1500 Amp



2500 Amp BUSBAR DETAIL



2500 Amp



TYPICAL TOLERANCE: +/-0.02 (0.50)

Reference purposes only.
Specifications are subject to change.
Consult factory to verify specifications.