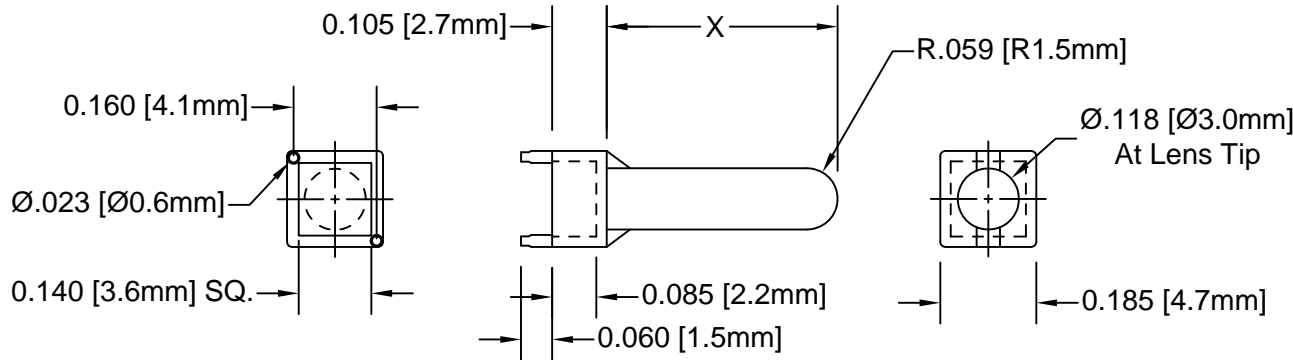
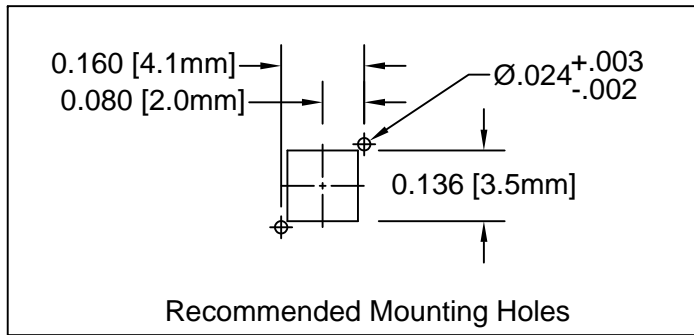


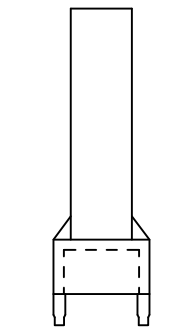
| REV. | DESCRIPTION | DATE | APPROVED |
|------|--------------------------------|----------|----------|
| G | VLP-700-R/F Obsolete. | 03/02/09 | T. Y. |
| H | Updated Slot Dimension. | 09/11/12 | T. Y. |
| J | Updated Material Notes. | 08/19/14 | J. C. |
| K | Revised Typo. | 03/16/15 | J. C. |
| L | Added Color Options, Sheet #2. | 01/22/16 | J. C. |



VLP-XXX-R
ROUND FACE



Recommended Mounting Holes



VLP-XXX-F
FLAT FACE

| PART NO. | OVERALL HEIGHT | X = HEIGHT | FACE |
|-------------|-----------------|-----------------|-------------------|
| VLP-200-R/F | 0.200" (5.1mm) | 0.095" (2.4mm) | R=ROUND F=FLAT |
| VLP-250-R/F | 0.250" (6.4mm) | 0.145" (3.7mm) | |
| VLP-300-R/F | 0.300" (7.6mm) | 0.195" (5.0mm) | |
| VLP-350-R/F | 0.350" (8.9mm) | 0.245" (6.2mm) | |
| VLP-400-R/F | 0.400" (10.2mm) | 0.295" (7.5mm) | |
| VLP-450-R/F | 0.450" (11.4mm) | 0.345" (8.8mm) | |
| VLP-500-R/F | 0.500" (12.7mm) | 0.395" (10.0mm) | |
| VLP-550-R/F | 0.550" (13.9mm) | 0.445" (11.3mm) | |
| VLP-600-R/F | 0.600" (15.2mm) | 0.495" (12.6mm) | |
| VLP-640-R/F | 0.640" (16.3mm) | 0.535" (13.6mm) | |
| VLP-650-R/F | 0.650" (16.5mm) | 0.545" (13.8mm) | |

| | |
|--|--------------------------|
| STANDARD TOLERANCE (UNLESS OTHERWISE SPECIFIED) | |
| DECIMALS | ANGULAR |
| .X ± .1 | X° ± 1° |
| .XX ± .01 | |
| .XXX ± .005 | |
| DESIGNED: Michael Chen | DATE: 10/22/02 |
| CHECKED: D. Green | DATE: 10/22/02 |

BIVAR®

4 THOMAS, IRVINE, CA. 92618
TEL: (949) 951-8808 FAX: (949) 951-3974

TITLE:
VERTICAL LIGHT PIPE

PART NO: VLP-XXX-X

REVISION:
L

CAGE CODE : 32559 SHEET # 1 OF 2

CAD GENERATED DOCUMENT. DO NOT MEASURE DRAWING.

2. MATERIAL: POLYCARBONATE, 94V-0, CLEAR.

1. GENERAL SPECIFICATIONS: BIVAR MOLDED COMPONENT SPECIFICATION BV00-E101.

OTHER AVAILABLE COLORS

* SEE TABLE FOR ORDERING INFORMATION

| REV. | DESCRIPTION | DATE | APPROVED |
|------|--------------|------|----------|
| | SEE SHEET #1 | | |
| | | | |
| | | | |
| | | | |



| COLOR | Order Code |
|--------|------------|
| BLUE | BE |
| BLACK | BK |
| GREEN | GN |
| GRAY | GY |
| RED | RD |
| YELLOW | YW |

NOTE: LEAVE ORDER CODE BLANK IF NO COLOR IS DESIRED.

3. PARTS ARE DYED TO COLOR UPON REQUEST.

| | | | |
|---|--------------------------|--|------------------------------|
| STANDARD TOLERANCE (UNLESS OTHERWISE SPECIFIED) DECIMALS ANGULAR | |  4 THOMAS, IRVINE, CA. 92618 TEL: (949) 951-8808 FAX: (949) 951-3974 | |
|  | | | |
| DESIGNED: K. Aukshunas | DATE: 01/22/16 | PART NO: VLP-XXX-X | REVISION: L |
| CHECKED: J. Chiang | DATE: 01/22/16 | CAGE CODE : 32559 | SHEET # 2 OF 2 |
| CAD GENERATED DOCUMENT. DO NOT MEASURE DRAWING. | | | |