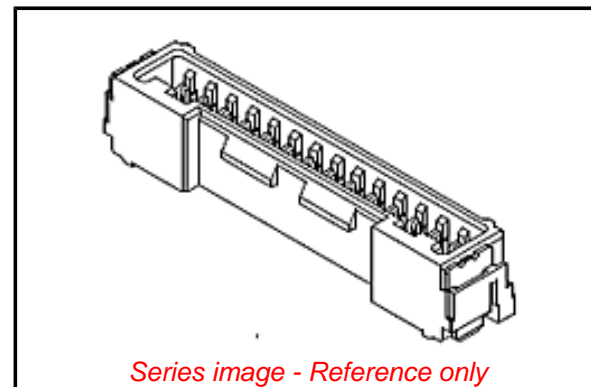


PLEASE CHECK WWW.MOLEX.COM FOR LATEST PART INFORMATION

Part Number: [5041940970](#)
Status: **Active**
Overview: [Micro-Lock™ Connectors](#)
Description: [Micro-Lock™ 1.25mm Pitch Single-Row Vertical Header, Beige, 9 Circuits, 5041940970](#)

Documents:

3D Model	Application Specification AS-504193-002 (PDF)
Drawing (PDF)	Packaging Specification SPK-504194-001 (PDF)
Product Specification PS-504193-001 (PDF)	RoHS Certificate of Compliance (PDF)
Application Specification AS-504193-001 (PDF)	



General

Product Family	PCB Headers
Series	504194
Application	Wire-to-Board
Overview	Micro-Lock™ Connectors
Product Name	Micro-Lock™
UPC	887191206509

Physical

Breakaway	No
Circuits (Loaded)	9
Circuits (maximum)	9
Color - Resin	Beige
Durability (mating cycles max)	30
First Mate / Last Break	No
Glow-Wire Compliant	No
Guide to Mating Part	No
Lock to Mating Part	Yes
Material - Metal	Brass
Material - Plating Mating	Tin
Material - Plating Termination	Nickel
Net Weight	285.355/mg
Number of Rows	1
Orientation	Vertical
PC Tail Length	3.00mm
PCB Locator	No
PCB Retention	None
PCB Thickness - Recommended	1.20mm, 1.60mm
Packaging Type	Embossed Tape on Reel
Pitch - Mating Interface	1.25mm
Pitch - Termination Interface	1.25mm
Temperature Range - Operating	-25°C to +85°C
Termination Interface: Style	Surface Mount

Electrical

Current - Maximum per Contact	1.5A
Voltage - Maximum	50V

Material Info

Reference - Drawing Numbers

Application Specification	AS-504193-001, AS-504193-002
Packaging Specification	SPK-504194-001
Product Specification	PS-504193-001, RPS-504193-001, RPS-504193-002, RPS-504193-003, RPS-504193-005, RPS-504193-006
Sales Drawing	SD-504194-001, SD-504194-002

EU ELV

Not Relevant

EU RoHS

Compliant

China RoHS

REACH SVHC

Contains SVHC(2014 December 17): No

Halogen-Free

Status

Not Low-Halogen

Need more information on product environmental compliance?

Email productcompliance@molex.com
Please visit the [Contact Us](#) section for any non-product compliance questions.

China ROHS

ELV

Green Image

Not Relevant

Search Parts in this Series

[504194 Series](#)

Mates With

[504193 Micro-Lock™ Wire-to-Board Crimp Housing](#)

This document was generated on 06/25/2015

PLEASE CHECK WWW.MOLEX.COM FOR LATEST PART INFORMATION