

4

3

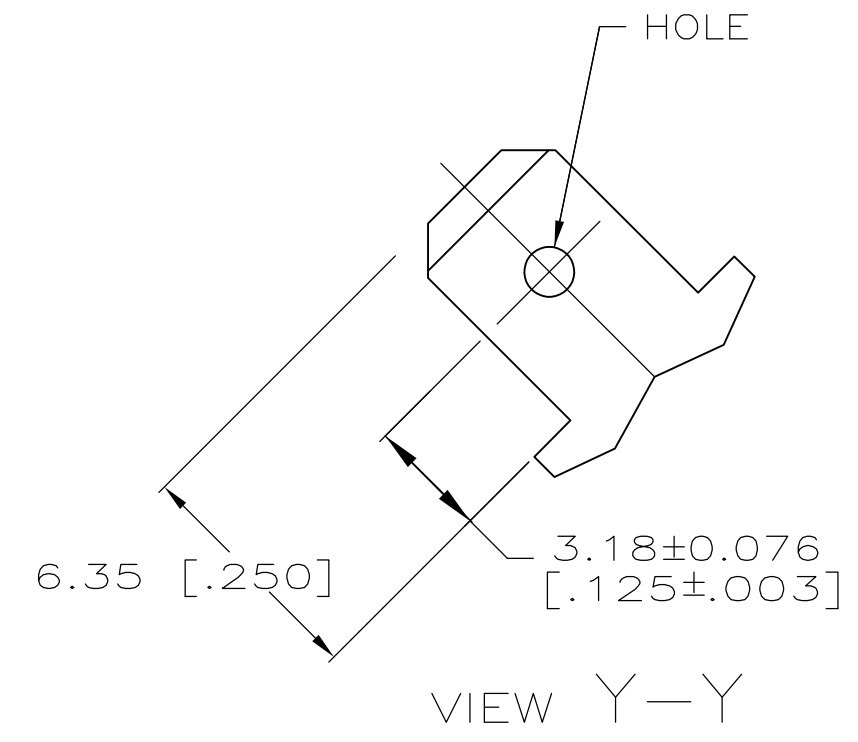
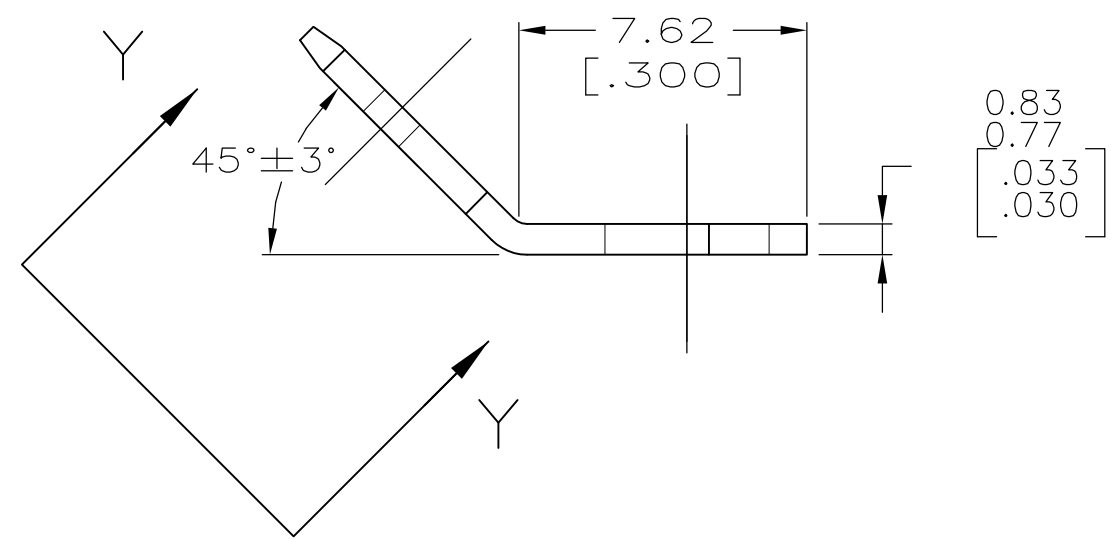
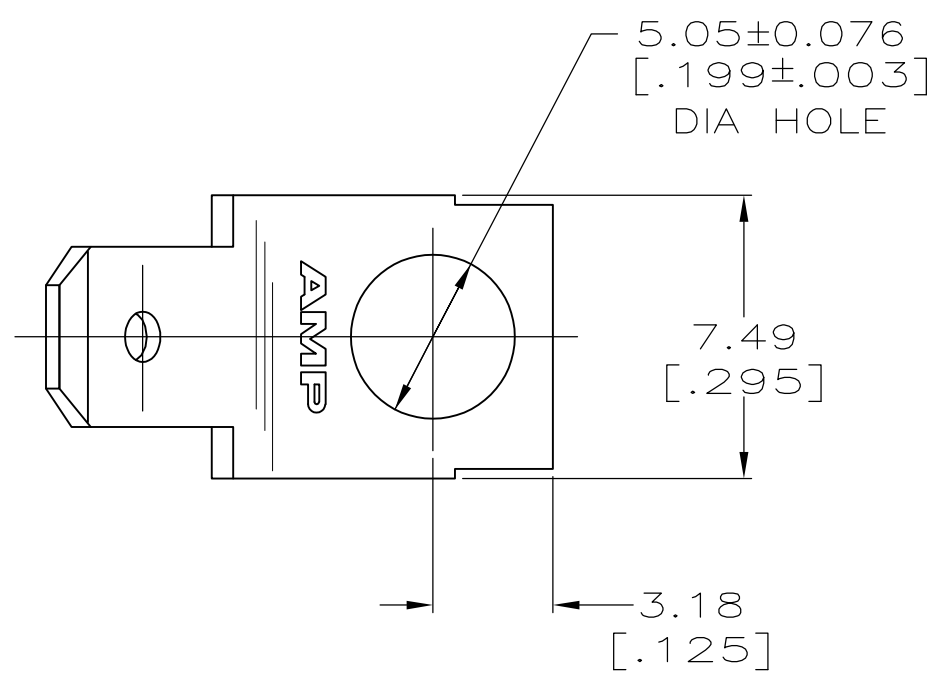
2

1

THIS DRAWING IS UNPUBLISHED. RELEASED FOR PUBLICATION
 © COPYRIGHT BY TYCO ELECTRONICS CORPORATION. ALL RIGHTS RESERVED.

LOC	DIST	REVISIONS			
P	LTR	DESCRIPTION	DATE	DWN	APVD
AF	50	C	REVISED PER ECR-10-004058	08JUN10	HMR PD

1 SUPPLIED IN LOOSE PIECE.



1217050-1
 PART NO.

THIS DRAWING IS A CONTROLLED DOCUMENT.		DWN	JR RUTH	1/16/98	Tyco Electronics Corporation Harrisburg, PA 17105-3608	
DIMENSIONS: mm [INCHES]		CHK	MS FEHER	1/16/98	NAME	
TOLERANCES UNLESS OTHERWISE SPECIFIED:		APVD	J HUZVAR	1/16/98	TAB, FASTON™, 4.75 [.187] SERIES	
0 PLC ± -		PRODUCT SPEC		SIZE		
1 PLC ± -		APPLICATION SPEC		CAGE CODE	DRAWING NO	RESTRICTED TO
2 PLC ± 0.38 [.015]		MATERIAL		A300779		C-1217050
3 PLC ± -		FINISH		CUSTOMER DRAWING		
4 PLC ± -		082 BRASS		SCALE		5:1
ANGLES ± -		TIN		SHEET		1 OF 1
MATERIAL		FINISH		REV		C